



SLIDING DOORS



L14.11
ROLLER ASSEMBLIES

01.02.2017



ROLLER ASSEMBLIES

CONTENTS

1. Adjustable roller assemblies	L14.11.03
1.1. Single roller assemblies with frame in zinc alloy	L14.11.03
1.2. Single roller assembly n° 6618-1 with frame in nylon	L14.11.05
2. Non-adjustable double roller assemblies	L14.11.06
2.1. Double roller assemblies n° 73313-... with nylon frame	L14.11.06
2.2. Double roller assemblies with frame in zinc alloy	L14.11.08
2.3. Double roller assemblies with frame in steel zinc plated	L14.11.09
3. Non-adjustable single roller assemblies	L14.11.10
3.1. Single roller assemblies with frame in steel zinc plated	L14.11.10
3.2. Single roller assembly n° 6619-1 with frame in nylon	L14.11.10
3.3. Single roller assemblies with frame in zinc alloy	L14.11.11

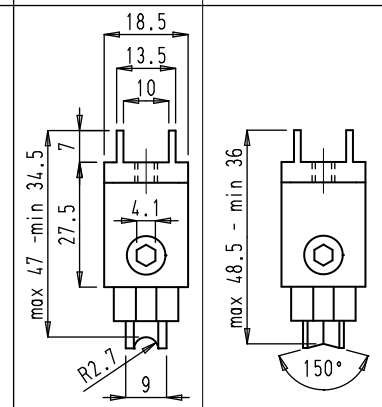
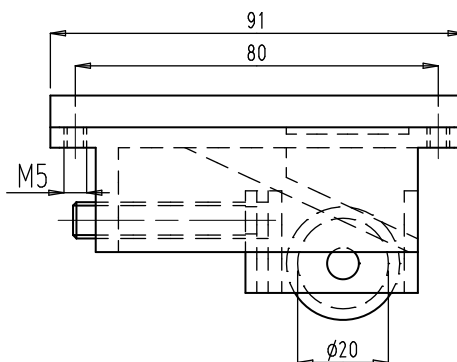


1. Adjustable roller assemblies

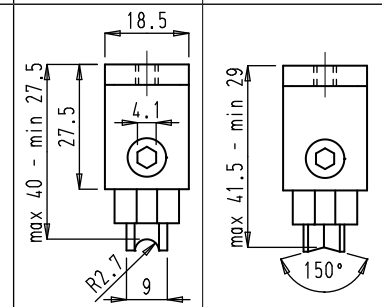
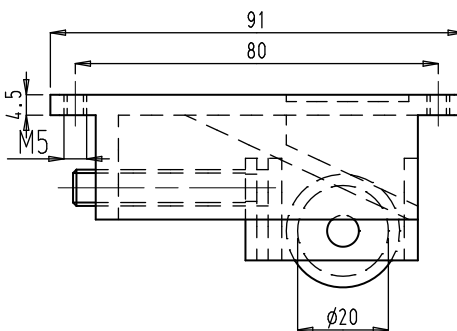
1.1. Single roller assemblies with frame in zinc alloy

- Frame in zinc alloy, wheels in nylon or stainless steel, mounted on needle bearings.
- Adjustable after installation of the sliding door.
- Note: wheels in stainless steel are exclusively used on rails in stainless steel.

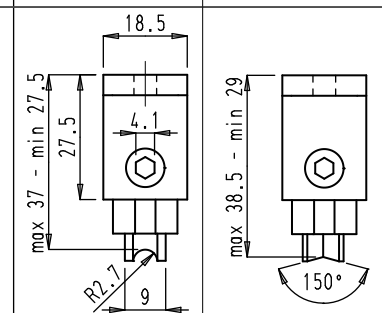
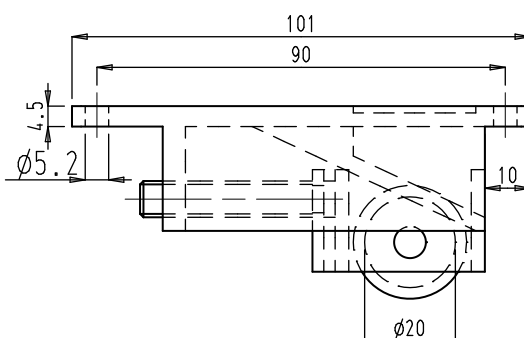
Material wheel	Load bearing capacity	Order code	
stainless steel	80 kg	6600	6650
nylon	40 kg	6600K	6650K



Material wheel	Load bearing capacity	Order code	
stainless steel	80 kg	6600 BIS	6650 BIS
nylon	40 kg	6600K BIS	6650K BIS



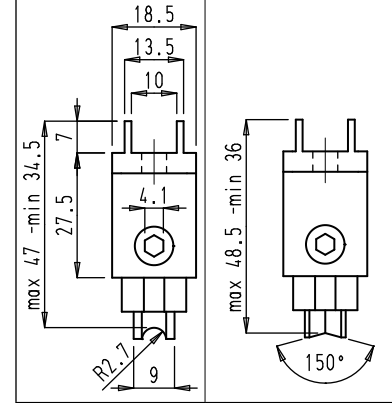
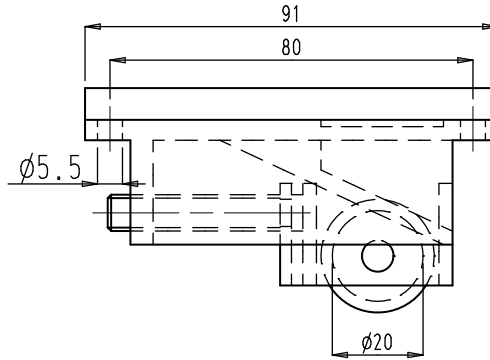
Material wheel	Load bearing capacity	Order code	
stainless steel	80 kg	6600-3	6650-3
nylon	40 kg	6600K-3	6650K-3



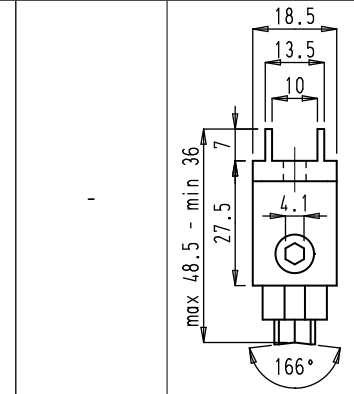
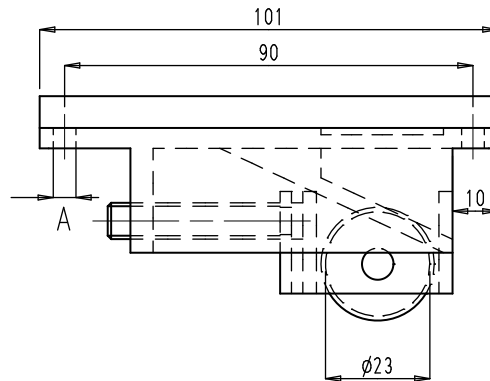


ROLLER ASSEMBLIES

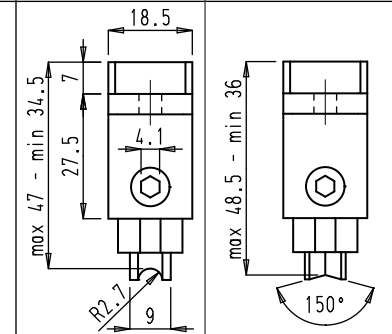
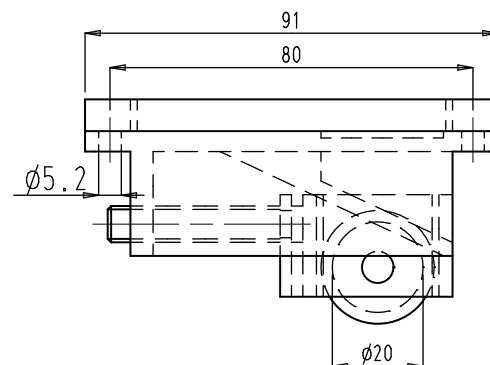
Material wheel	Load bearing capacity	Order code	
stainless steel	80 kg	6600C	6650C
nylon	40 kg	6600K C	6650K C



Material wheel	Load bearing capacity	A	Order code	
nylon	40 kg	ø5,2	-	6600K-5
nylon	40 kg	M5	-	6600K-5 M5



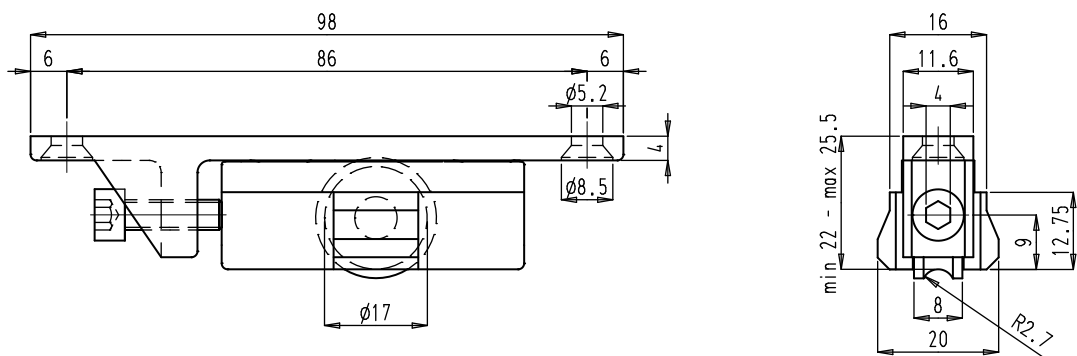
Material wheel	Load bearing capacity	Order code	
stainless steel	80 kg	6600-8	6650-8
nylon	40 kg	6600K-8	6650K-8





1.2. Single roller assembly n° 6618-1 with frame in nylon

- Frame and wheel in nylon, mounted on needle bearings. Fixing piece in zinc alloy.
- Vertical adjustment after installation of the sliding door: adjustment range 0 to +3.5 mm.
- The roller assembly is suitable for PVC and aluminium sections with a 16 mm groove.
- The wheel itself can be clipped in or out of the frame.
- Maximum load bearing capacity per wheel: 40 kg.





ROLLER ASSEMBLIES

2. Non-adjustable double roller assemblies

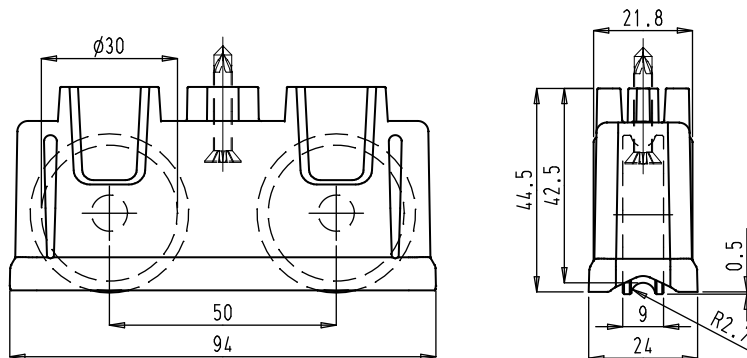
2.1. Double roller assemblies n° 73313-... with nylon frame

General characteristics

- Nylon rollers which roll silently, suitable for stainless steel as well as aluminium rails.
- The roller assemblies are also suitable for lift-slide profiles.
- Compact frame manufactured from reinforced synthetic material retaining the thermal insulation.
- Protection against dirt on the rail.
- High durability: class 5 in accordance with the European standard EN 13126-15 (25.000 cycles).
- High corrosion resistance: class 5 in accordance with the European standard EN 1670 (480h).

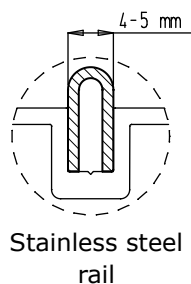


N° 73313-102

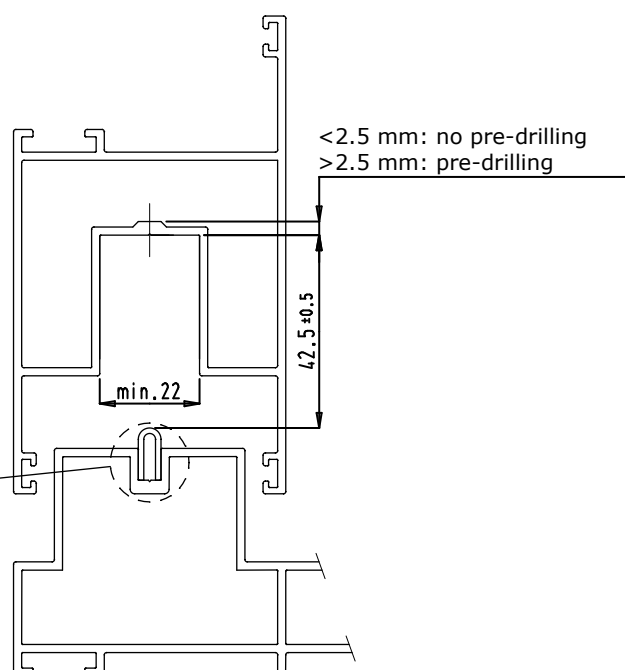
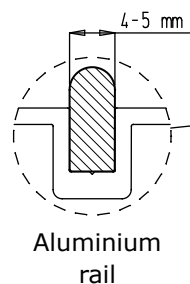


Application range

- Vent weights:
 - max. 300 kg: 2x 1 roller assembly
 - max. 400 kg: 2x 2 roller assemblies
 - max. 500 kg: 2x 3 roller assemblies (on request)
- The roller assemblies are suitable to mount in profiles with the following installation dimensions:
- Rail dimensions:



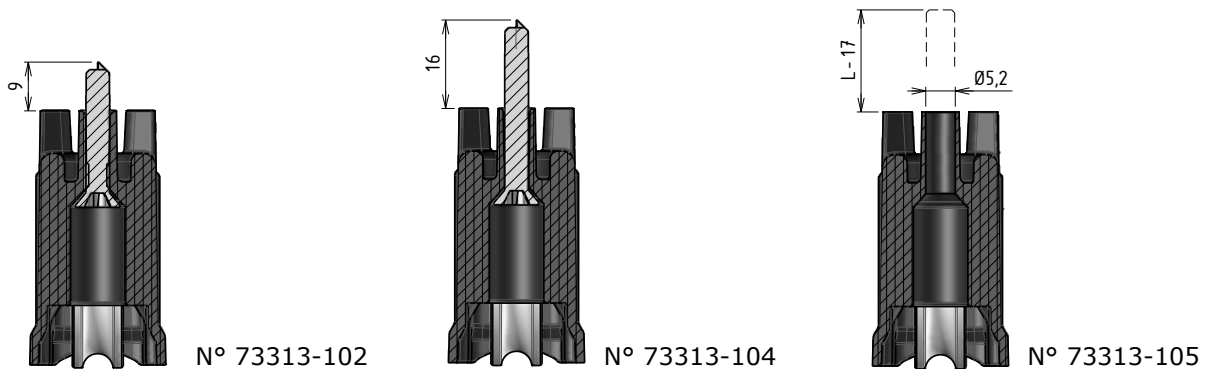
OR



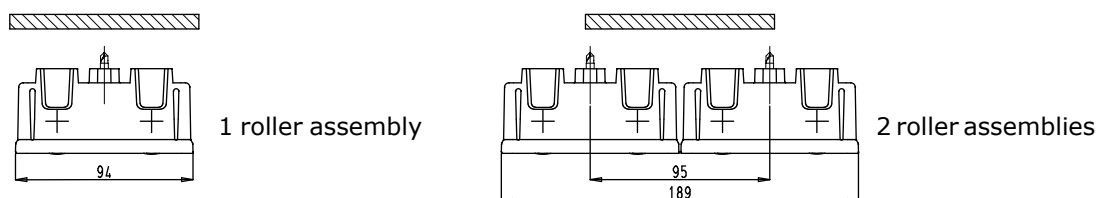


Fixing

- Quick assembly by only 1 pre-assembled self-drilling screw.
- The type of screw depends on the material in which the screw is to fixed:
 - N° 73313-102: in aluminium: DIN 7504P 4.2x25
 - N° 73313-104: in the thermal break: DIN 7504P 4.2x32
 - N° 73313-105: in the glass support: DIN 965 M5xLength (screw not included)

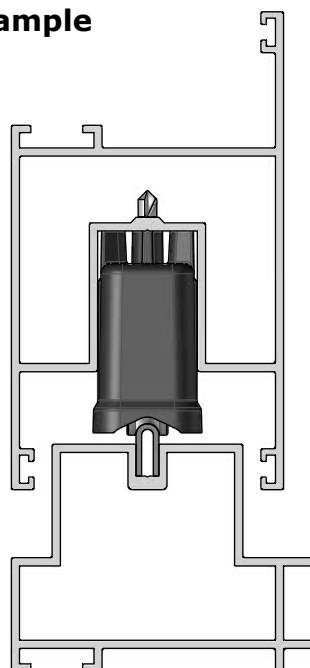


- Notes:
 - Fixing in aluminium: pre-drilling is only required when wall thickness > 2.5 mm.
 - Fixing in glass support: pre-drilling is required
- Position glass supports:
 - Glass support always centred
 - Roller assemblies against each other

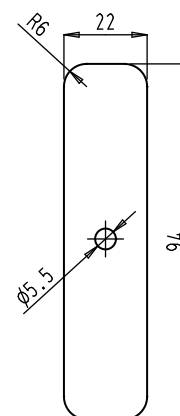


Installation example

Installation in lift-slide profile



- Profile preparations when required:



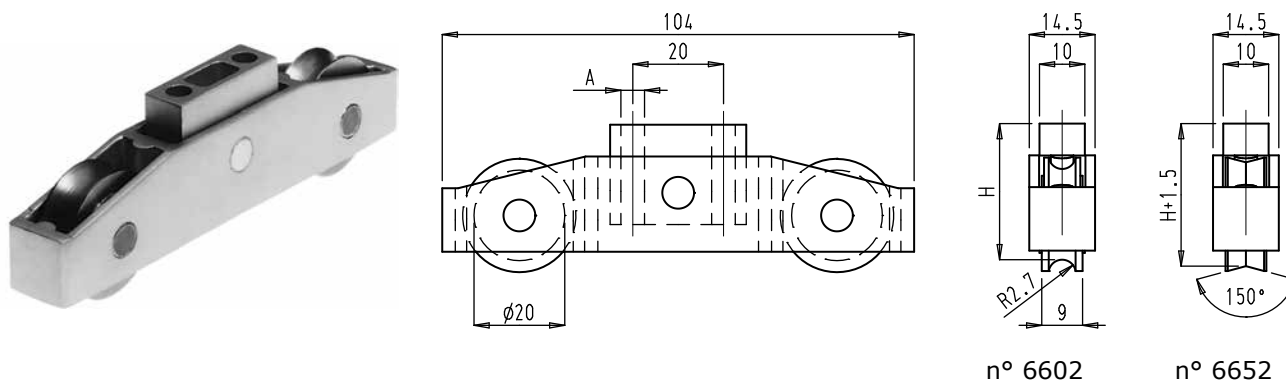
Drilling $\varnothing 5.5$ mm might be required for the passage of the fixing screw.



ROLLER ASSEMBLIES

2.2. Double roller assemblies with frame in zinc alloy

- Frame in zinc alloy, wheels in nylon or stainless steel, mounted on needle bearings.
- Note: wheels in stainless steel are exclusively used on rails in stainless steel.
- Other heights H on request.

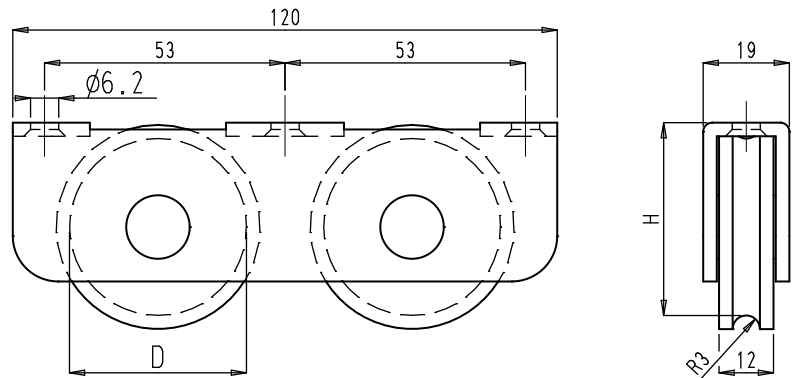


Material wheel	Load bearing capacity	H (mm)	A	Order code	Order code
stainless steel	100 kg	24	$\phi 5.2$	6602-24	6652-24
nylon	75 kg	24	$\phi 5.2$	6602K-24	6652K-24
stainless steel	100 kg	24	M5	6602-24 M5	6652-24 M5
nylon	75 kg	24	M5	6602K-24 M5	6652K-24 M5
stainless steel	100 kg	25	$\phi 5.2$	6602-25	6652-25
nylon	75 kg	25	$\phi 5.2$	6602K-25	6652K-25
stainless steel	100 kg	30	$\phi 5.2$	6602	6652
nylon	75 kg	30	$\phi 5.2$	6602K	6652K
stainless steel	100 kg	30	M5	6602 M5	6652 M5
nylon	75 kg	30	M5	6602K M5	6652K M5
stainless steel	100 kg	33	$\phi 5.2$	6602-33	6652-33
nylon	75 kg	33	$\phi 5.2$	6602K-33	6652K-33
stainless steel	100 kg	35	$\phi 5.2$	6602-35	6652-35
nylon	75 kg	35	$\phi 5.2$	6602K-35	6652K-35
stainless steel	100 kg	35	M5	6602-35 M5	6652-35 M5
nylon	75 kg	35	M5	6602K-35 M5	6652K-35 M5
stainless steel	100 kg	37	$\phi 5.2$	6602-37	6652-37
nylon	75 kg	37	$\phi 5.2$	6602K-37	6652K-37
stainless steel	100 kg	39	$\phi 5.2$	6602-39	6652-39
nylon	75 kg	39	$\phi 5.2$	6602K-39	6652K-39
stainless steel	100 kg	41	$\phi 5.2$	6602-41	6652-41
nylon	75 kg	41	$\phi 5.2$	6602K-41	6652K-41
stainless steel	100 kg	42	$\phi 5.2$	6602-42	6652-42
nylon	75 kg	42	$\phi 5.2$	6602K-42	6652K-42
stainless steel	100 kg	45	$\phi 5.2$	6602-45	6652-45
nylon	75 kg	45	$\phi 5.2$	6602K-45	6652K-45

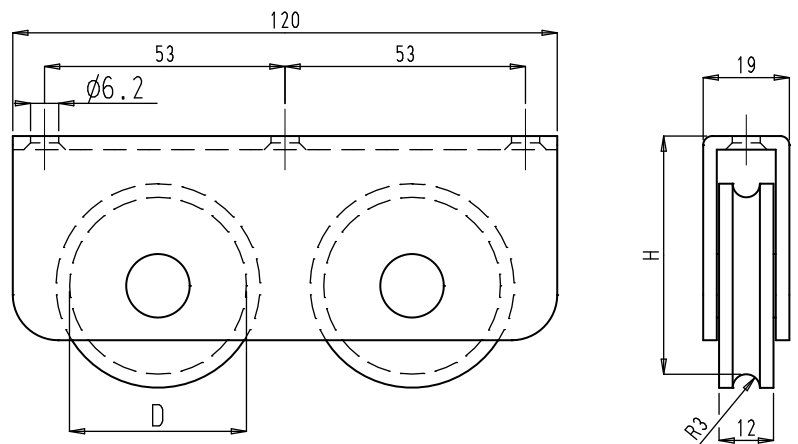


2.3. Double roller assemblies with frame in steel zinc plated

- Frame in steel zinc plated, wheels in **nylon**, mounted on needle bearings.



Order code	Load bearing capacity	D (mm)	H (mm)
666-130.4	100 kg	40	43
666-130.5	80 kg	35	40.5



Order code	Load bearing capacity	D (mm)	H (mm)
666-130.6	80 kg	35	57.5
666-130.7	100 kg	40	60
666-130.8	100 kg	40	53

Variant

- Frame in steel zinc plated, wheels in **stainless steel**, mounted on needle bearings.
- General dimensions: see roller assemblies n° 666-130.4, -130.7 and -130.8.
- Note: wheels in stainless steel are exclusively used on rails in stainless steel.

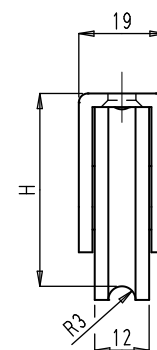
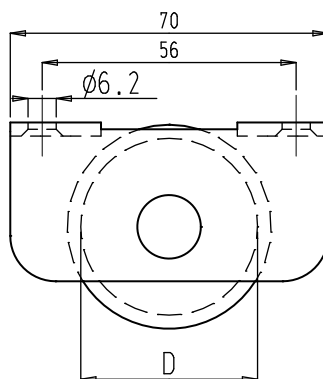
Order code	Load bearing capacity	D (mm)	H (mm)
666-130.4B	125 kg	40	43
666-130.7B	125 kg	40	60
666-130.8B	125 kg	40	53



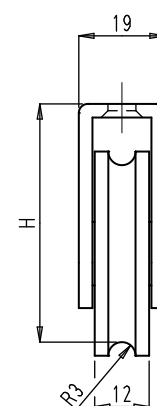
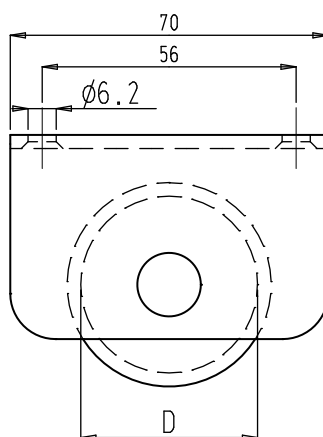
ROLLER ASSEMBLIES

3. Non-adjustable single roller assemblies**3.1. Single roller assemblies with frame in steel zinc plated**

- Frame in steel zinc plated, wheels in nylon, mounted on needle bearings.



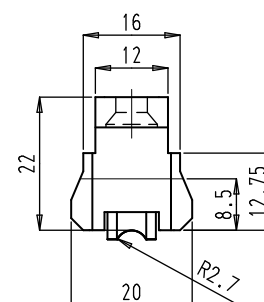
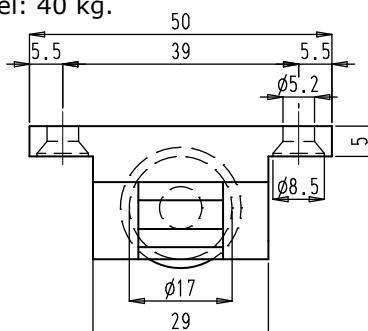
Order code	Load bearing capacity	D (mm)	H (mm)
666-131.4	75 kg	40	43
666-131.5	60 kg	35	40.5



Order code	Load bearing capacity	D (mm)	H (mm)
666-131.6	60 kg	35	57.5
666-131.8	75 kg	40	53

3.2. Single roller assembly n° 6619-1 with frame in nylon

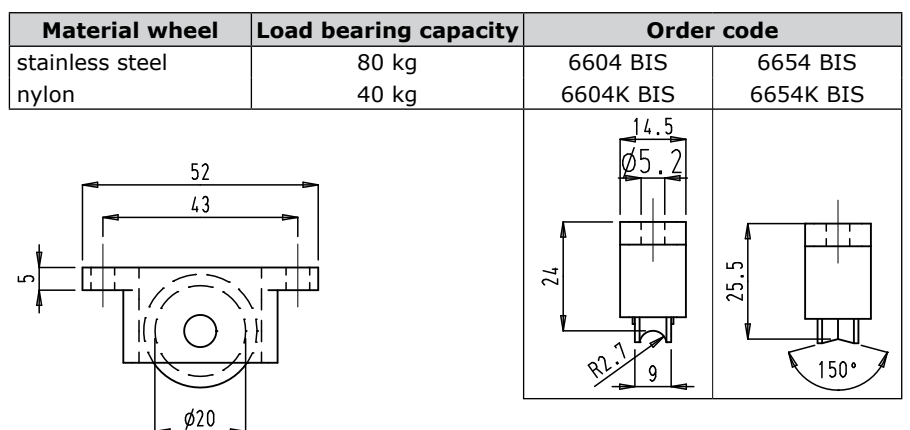
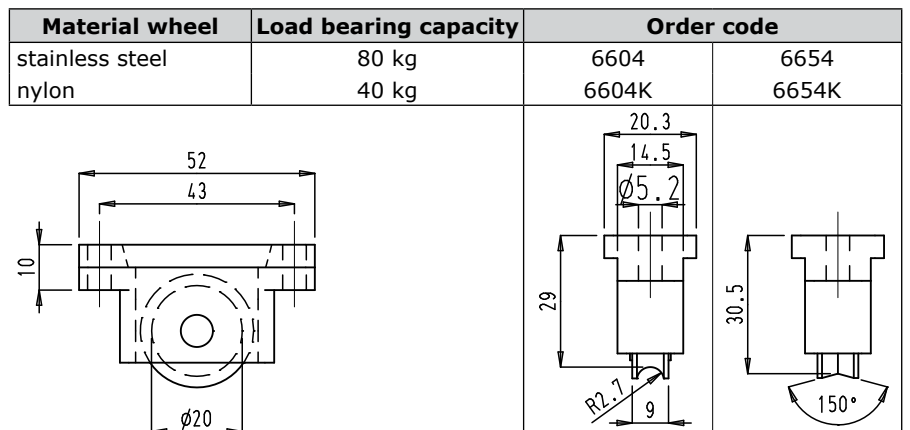
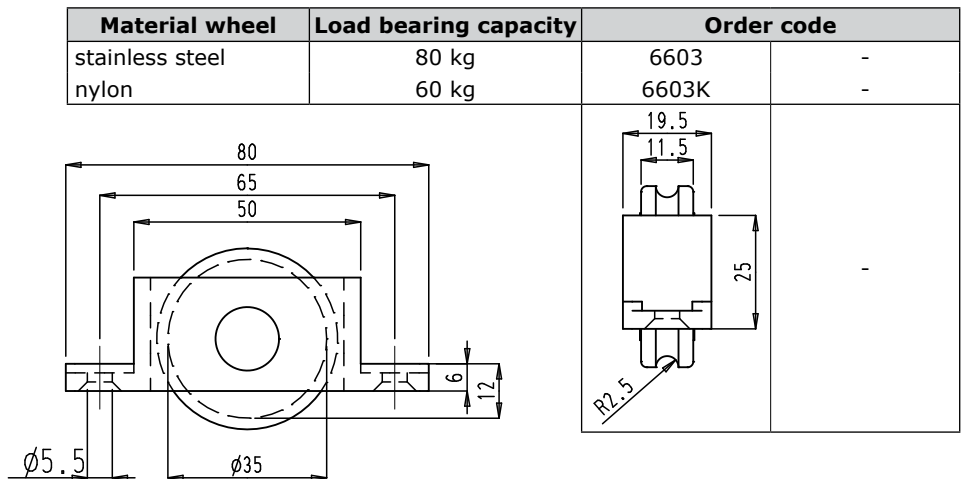
- Frame and wheel in nylon, mounted on needle bearings.
- The roller assembly is suitable for PVC and aluminium sections with a 16 mm groove.
- The wheel itself can be clipped in or out of the frame.
- Maximum load bearing capacity per wheel: 40 kg.





3.3. Single roller assemblies with frame in zinc alloy

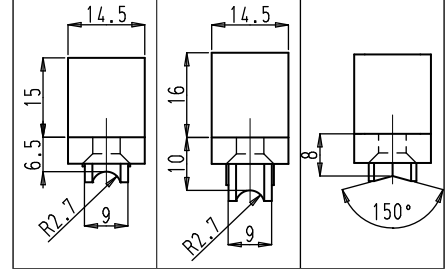
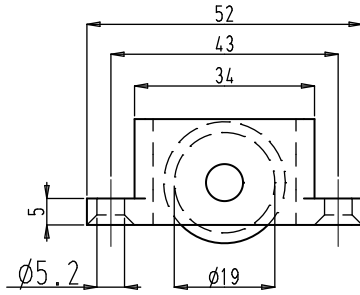
- Frame in zinc alloy, wheels in nylon or stainless steel, mounted on needle bearings.
- Note: wheels in stainless steel are exclusively used on rails in stainless steel.



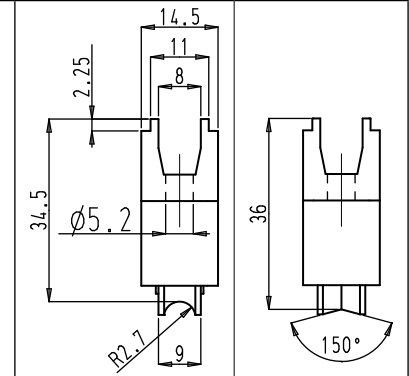
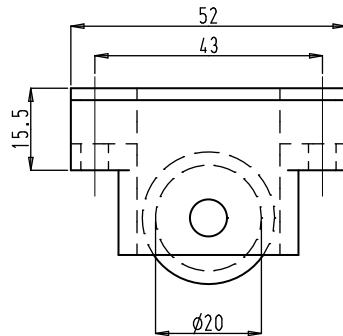


ROLLER ASSEMBLIES

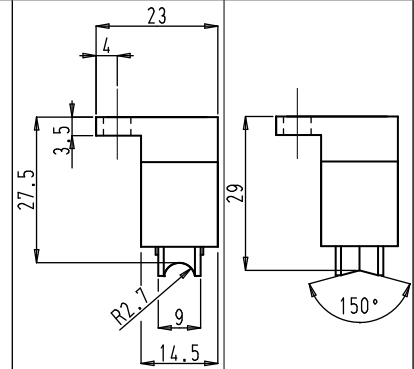
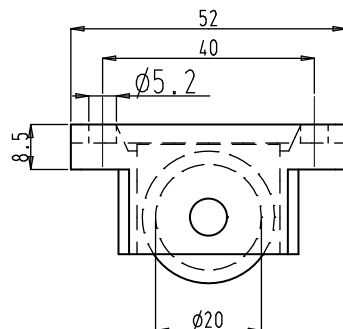
Material wheel	Load bearing capacity	Order code		
stainless steel	80 kg	6606	-	6656
nylon	40 kg	6606K	6617K	6656K



Material wheel	Load bearing capacity	Order code	
stainless steel	80 kg	6610	6660
nylon	40 kg	6610K	6660K



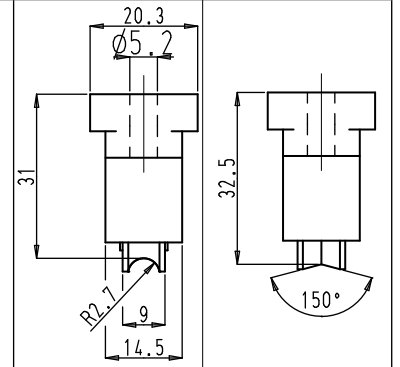
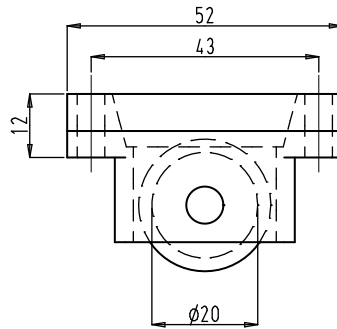
Material wheel	Load bearing capacity	Order code	
stainless steel	80 kg	6611	6661
nylon	40 kg	6611K	6661K



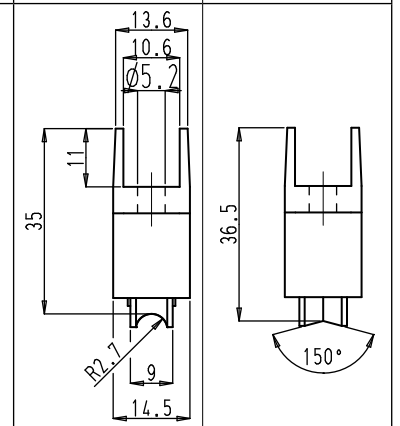
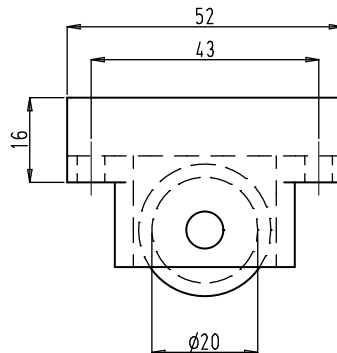


ROLLER ASSEMBLIES

Material wheel	Load bearing capacity	Order code	
stainless steel	80 kg	6612	6662
nylon	40 kg	6612K	6662K



Material wheel	Load bearing capacity	Order code	
stainless steel	80 kg	6613	6663
nylon	40 kg	6613K	6663K



Material wheel	Load bearing capacity	Order code	
stainless steel	80 kg	6615	6665
nylon	40 kg	6615K	6665K

