



---

**SLIDING DOORS**

---



**L13.14**  
**MISCELLANEOUS  
FOR SLIDING DOORS**

01.02.2017



---

MISCELLANEOUS FOR SLIDING DOORS

---

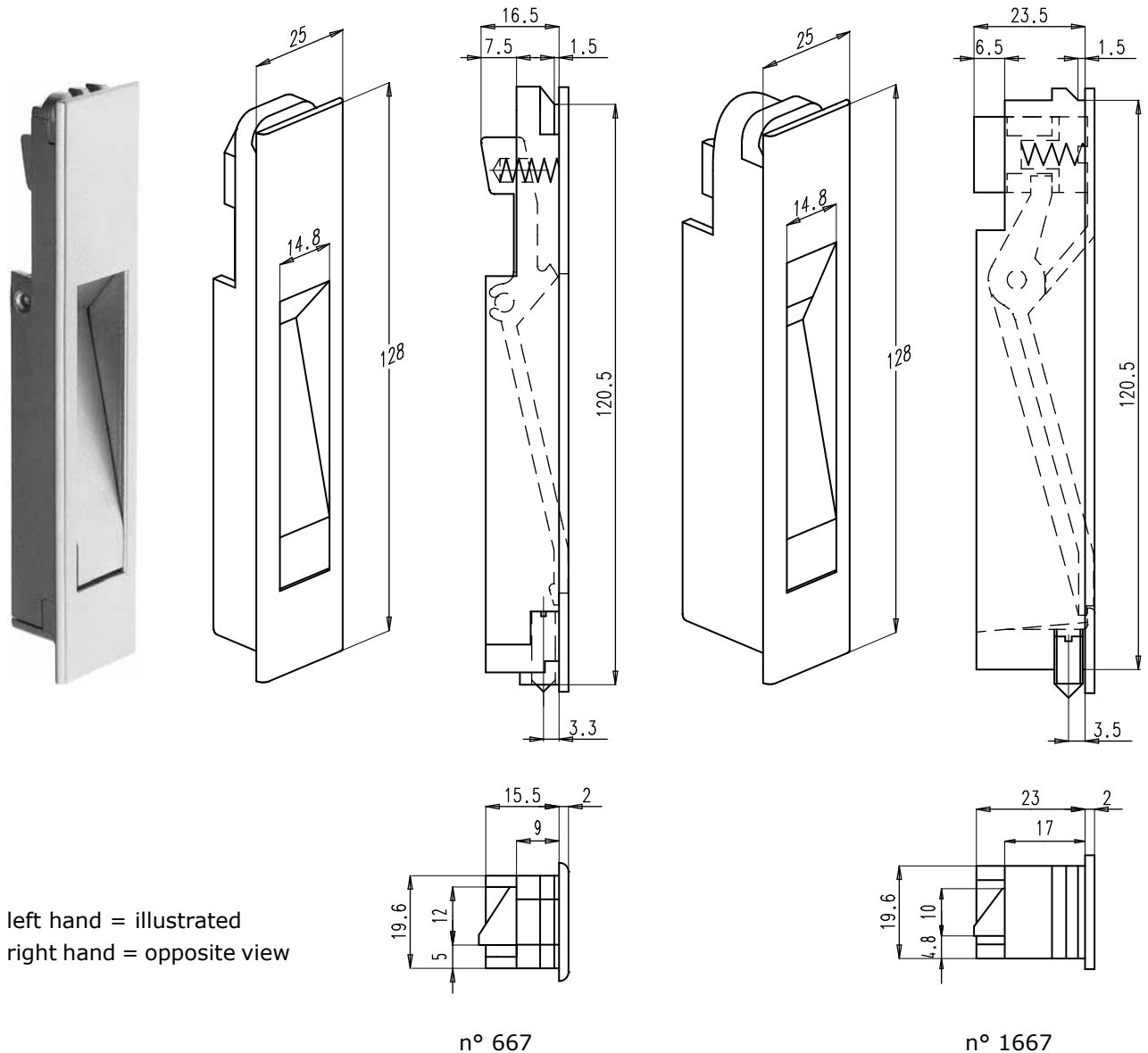
## CONTENTS

<b>1. Automatic finger pulls n° 667 and n° 1667</b> .....	L13.14.03
1.1. General characteristics	L13.14.03
1.2. Installation instructions	L13.14.04
1.3. Wedges	L13.14.05
<b>2. Fixed finger pulls n° 666-170 and n° 666-170B</b> .....	L13.14.06
<b>3. Locking mechanism n° 665-1</b> .....	L13.14.06
<b>4. Automatic hand pull n° 6713</b> .....	L13.14.07
<b>5. Buffer n° 6500</b> .....	L13.14.08



## 1. Automatic finger pulls n° 667 and n° 1667

### 1.1. General characteristics

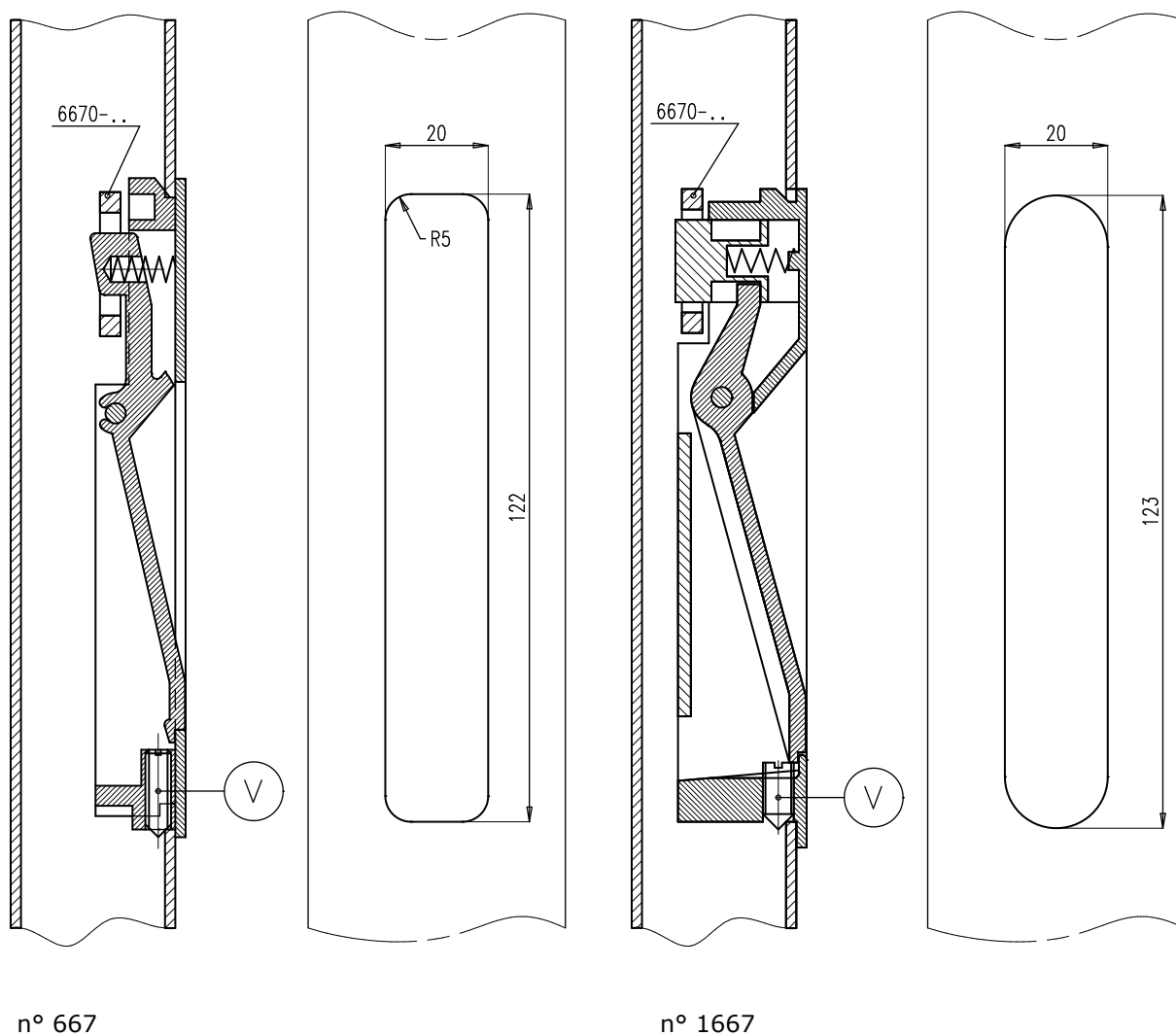


- The finger pulls lock automatically upon closing the door.
- To unlock slightly press into the finger pull with your fingers.
- Finish:
  - finger pull n° 667 in aluminium, anodised or polyester powder coated in more than 450 RAL colours.
  - finger pull n° 1667 in light grey or black nylon.
- The standard type is left hand. When the direction is not indicated, the standard type (= left hand) will be supplied.
- The latch bolt of finger pull n° 667 is not reversible, but on request, we can also produce right hand pulls.
- A left hand finger pull n° 667 can be used as right hand type as well by simply putting it upside down. In this case the latch bolt is situated a bit lower.
- Finger pull n° 1667 is with reversible latch bolt: push the pin out, inverse the bolt and put the pin back in.



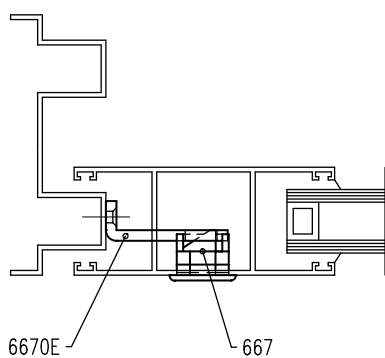
## MISCELLANEOUS FOR SLIDING DOORS

### 1.2. Installation instructions



- Cut out the opening for the finger pull in accordance with the dimensions above.
- Put the finger pull in the cut-out and fix it by tightening screw V.
- Screw wedge n° 6670-.. to the frame section at the height of the latch bolt.

### Application example

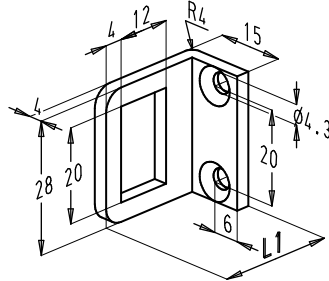




MISCELLANEOUS FOR SLIDING DOORS

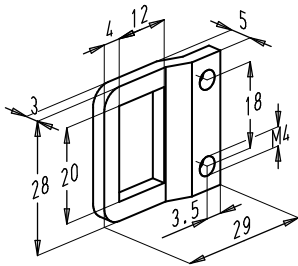
1.3. Wedges

- Finish: aluminium anodised or polyester powder coated in more than 450 RAL colours.

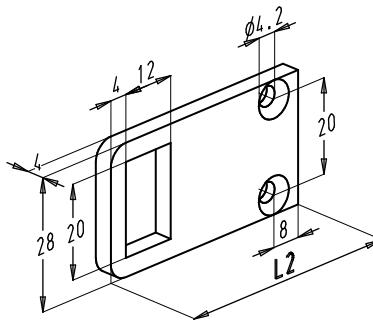


Type	Dimension L1 (mm)
A	26
B	38
C	43
D	46
E	56
F	32
I	34
J	30

n° 6670A to J

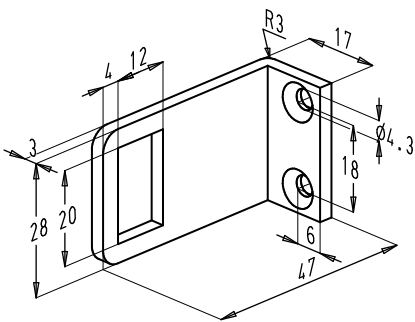


n° 6670K

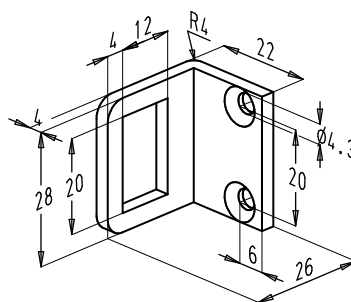


n° 6670L, V, W

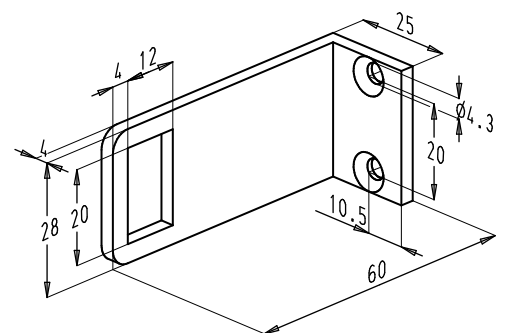
Type	Dimension L2 (mm)
L	50
V	43
W	56



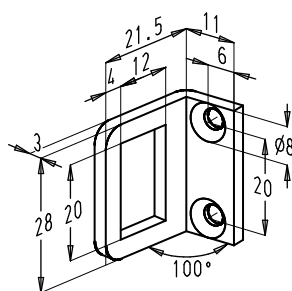
n° 6670M



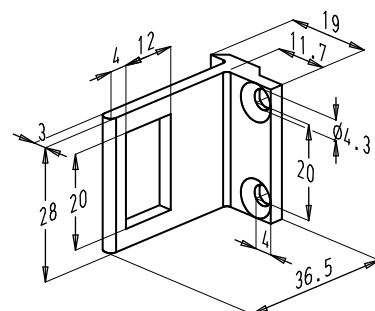
n° 6670Q



n° 6670R



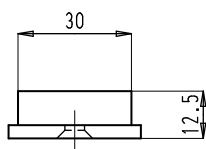
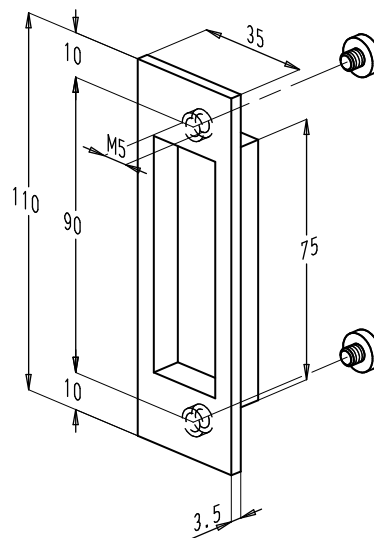
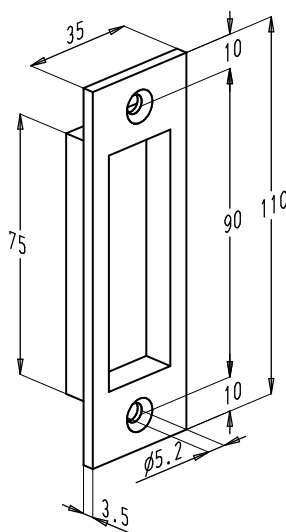
n° 6670U



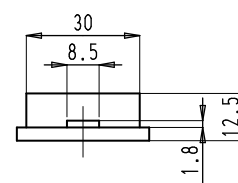
n° 6670-10



## MISCELLANEOUS FOR SLIDING DOORS

**2. Fixed finger pulls n° 666-170 and n° 666-170B**

n° 666-170B



n° 666-170

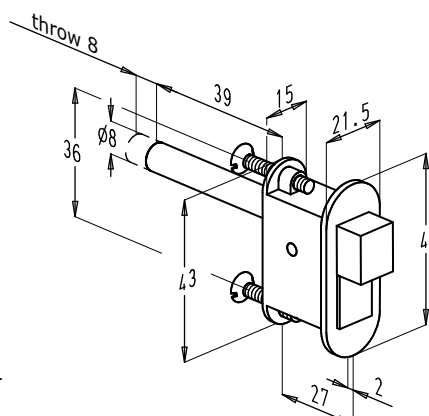
- Finish: aluminium anodised or polyester powder coated in more than 450 RAL colours.
- The finger pull n° 666-170B is with visible fixing.
- Finger pull n° 666-170 is with invisible fixing. The 2 screws n° 666-172 in steel zinc plated are included.

**3. Locking mechanism n° 665-1**

- Application: three part sliding doors.
- Pin in steel zinc plated, to be cut by the window maker in accordance with the section depth.
- Finish: aluminium polyester powder coated in more than 450 RAL colours.
- Function:
  - Upper push button = locking
  - Lower push button = unlocking



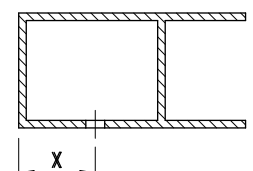
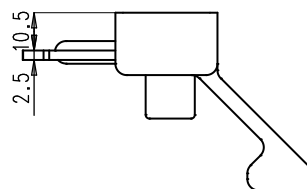
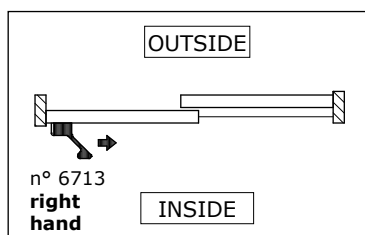
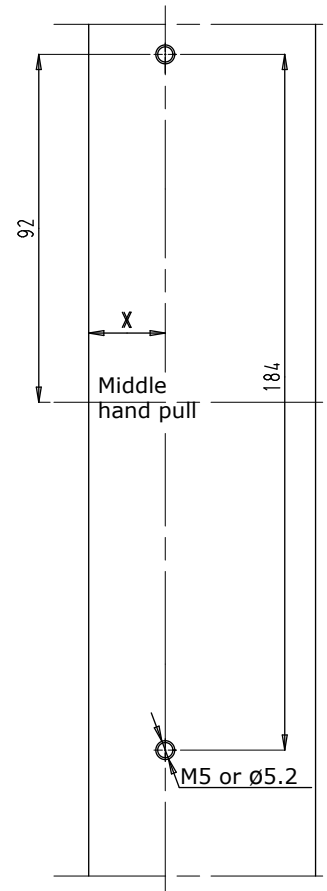
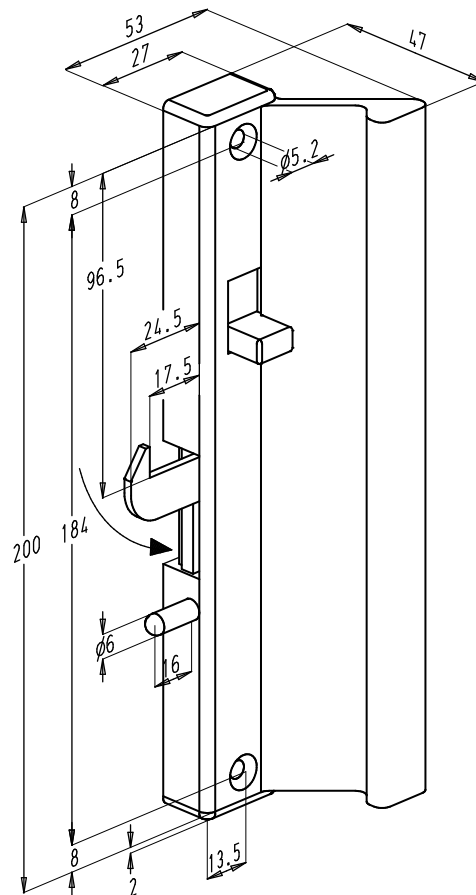
n° 665-1





## MISCELLANEOUS FOR SLIDING DOORS

## 4. Automatic hand pull n° 6713



right hand = illustrated  
left hand = opposite view

fixing holes

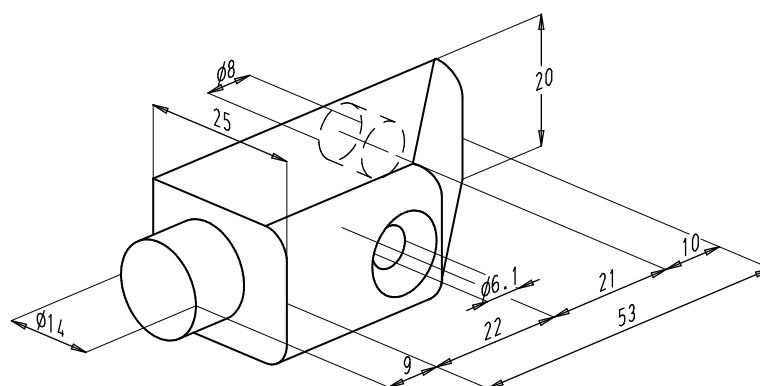
- Same fitting as hand pull n° 6711 in chapter L13.12, but working automatically. Because the hand pull is provided with an additional spring, the button remains always in the lower position with the red indicator visible. To open the door, push up the button. After releasing the button, it automatically returns to the lower position.
- The hand pull locks automatically upon closing the door. Therefore you can accidentally lock yourself out.

## INSTALLATION INSTRUCTIONS

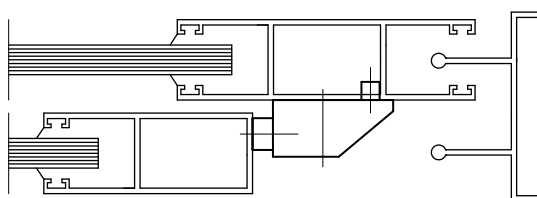
- The hand pull n° 6713 in combination with outside pull: drill the indicated holes  $\varnothing 5.2$  at the inside and the outside of the vent section.
- The hand pull n° 6713 used alone: drill and tap 2 round holes (M5) in the vent section and fix the hand pull with 2 screws into minimum 6 mm screw-thread depth.
- Dimension X is section related.



## MISCELLANEOUS FOR SLIDING DOORS

**5. Buffer n° 6500**

- Finish:
  - Aluminium anodised or polyester powder coated in more than 450 RAL colours.
  - Buffer in neoprene.



Application example