



---

## SLIDING DOORS

---



# L11.12 B-SLIDE

01.04.2015



## B-SLIDE

---

### CONTENTS

<b>1. General characteristics</b> .....	L11.12.03
<b>2. Central lock</b> .....	L11.12.03
2.1. General dimensions and function	L11.12.03
2.2. Types	L11.12.04
2.3. Adjustment hook bolt	L11.12.04
<b>3. Top and bottom lock</b> .....	L11.12.05
<b>4. Keeps</b> .....	L11.12.06
<b>5. Operations</b> .....	L11.12.07
5.1. Sobinox handles	L11.12.07
5.2. Horizon handle n° 30000-680	L11.12.08
5.3. Finger pull n° 74003	L11.12.08
<b>6. Guiding piece n° 79000</b> .....	L11.12.09
<b>7. Installation examples</b> .....	L11.12.09
<b>8. Profile preparations and installation</b> .....	L11.12.10



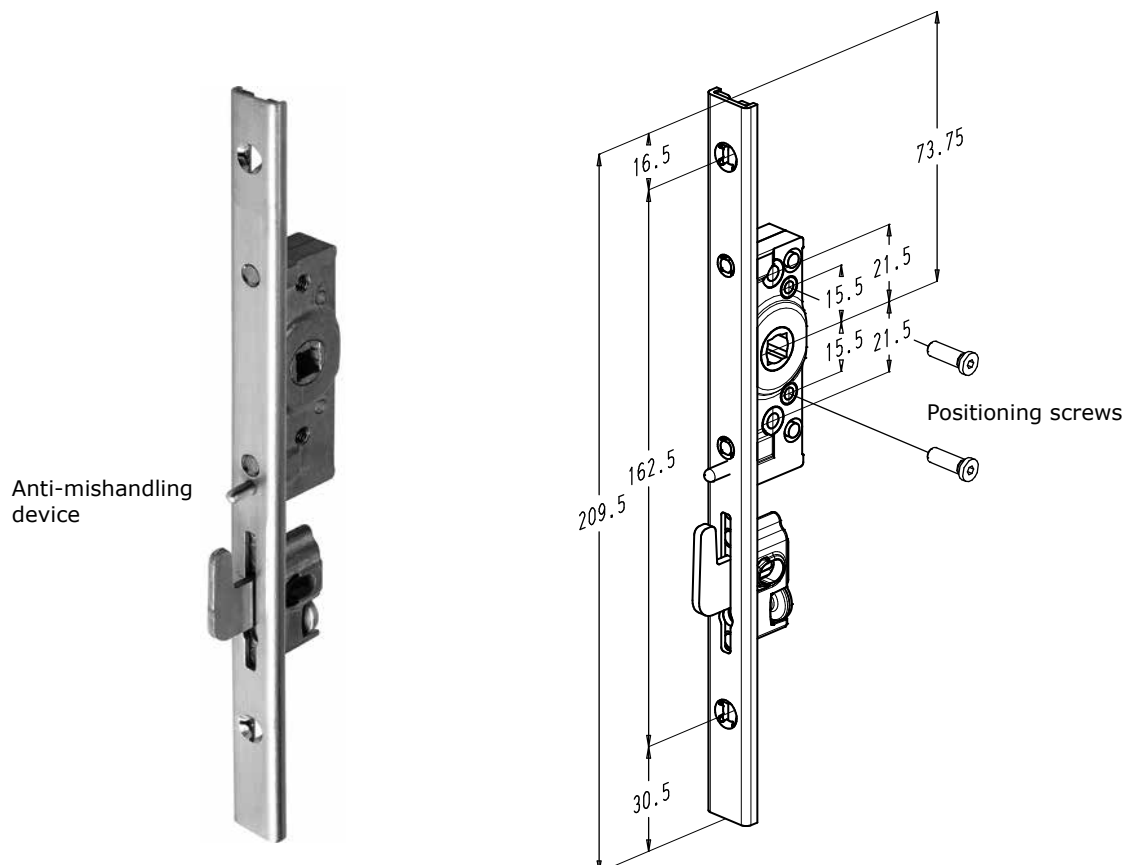
## 1. General characteristics

- Multi-point lock for aluminium and PVC sliding doors.
- Modular: the central lock is easily expandable to a multi-point lock (3-point lock and more) with extensions. The central lock and the extensions contain an adjustable hook lock.
- Opening and closing of the sliding door is by means of a rod, that slides in the faceplate and moves the hook bolts up and down.
- The multipoint lock can be operated by a window handle or a finger pull and can be locked by a cylinder.

## 2. Central lock

### 2.1. General dimensions and function

- Entirely manufactured from high quality materials:
  - faceplate, rod, hook bolts and screws: stainless steel
  - spindle follower: brass.
- U-shaped faceplate of 15.2 mm.
- Quick and easy installation with special connections between the central lock and the extensions.
- The upward sliding hook bolt prevents the lifting of the vent.
- Anti-mishandling device: the hook bolts stay in place in the opened position.
- Positioning screws or support screws: prevent twisting of the lockcase when fixing the handle.



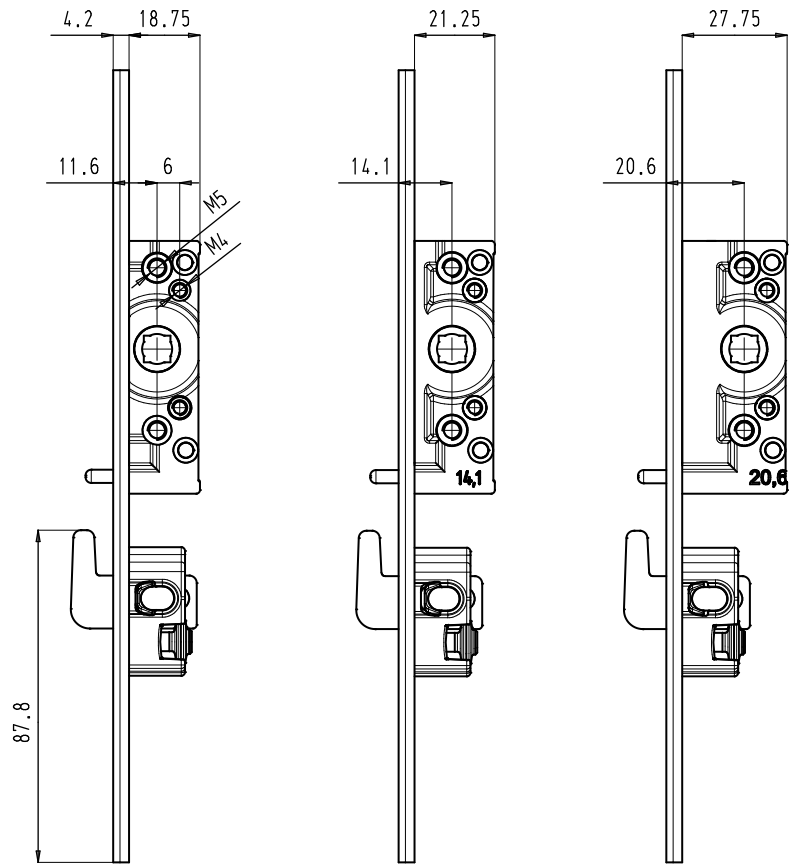
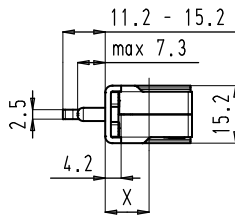


## B-SLIDE

### 2.2. Types

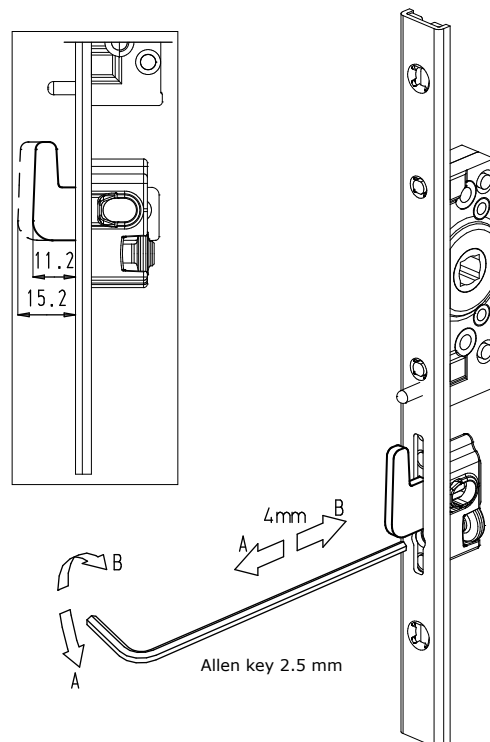
- Lock available with 3 different backsets:

Lock	X (mm)
70000-10	11.6
70000-14	14.1
70000-20	20.6



### 2.3. Adjustment hook bolt

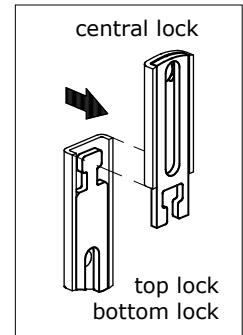
- Easy horizontal adjustment of 4 mm of the hook bolts.
- The adjustment screw is underneath the hook bolt and can be operated by an allen key of 2.5 mm.





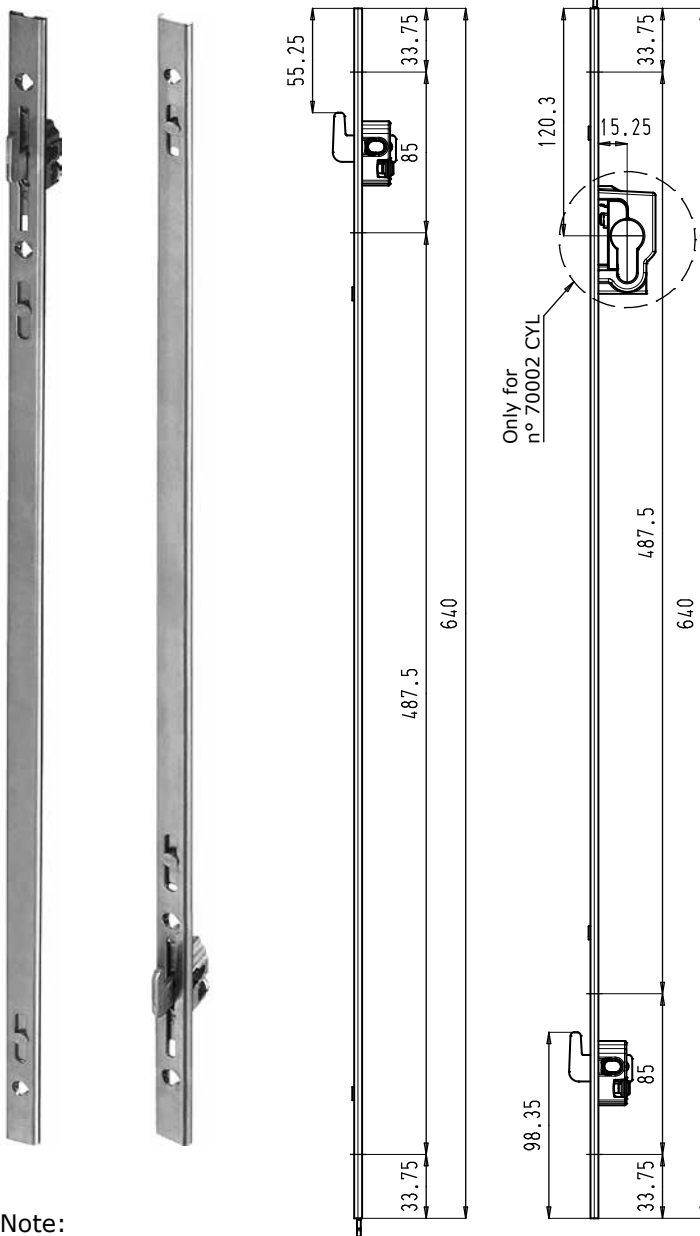
### 3. Top and bottom lock

- Quick and easy installation with special connections between the central lock and the extensions: see drawing on the right hand side.
- The extensions are available in 2 lengths: 350 mm and 640 mm.
- The hook bolts also have a horizontal adjustment of 4 mm.
- The bottom extension is also available with locking mechanism, operated by a eurocylinder.
- Important note: the housing of the cylinder always has the same installation depth and is independent from the backset of the central lock.



#### Length 640 mm

TOP BOTTOM



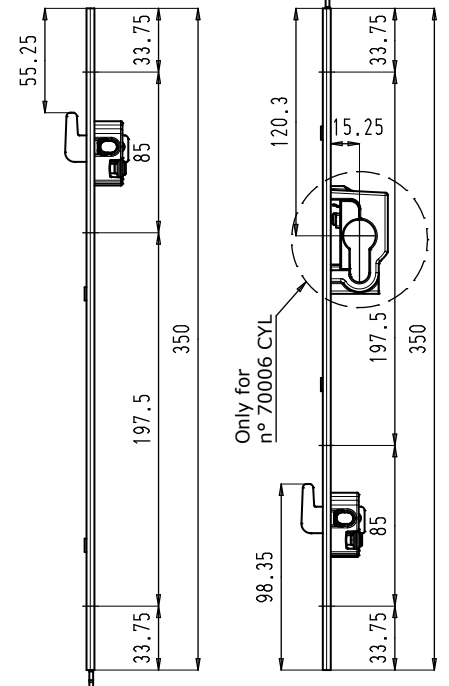
Only for n° 70002 CYL

n° 70001

n° 70002 CYL  
n° 70002 (without locking)

#### Length 350 mm

TOP BOTTOM

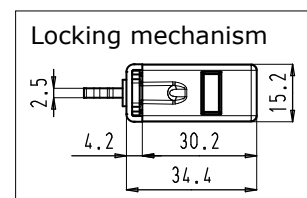
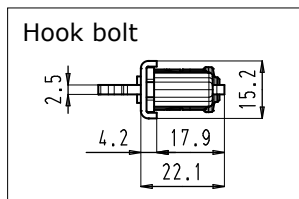


Only for n° 70006 CYL

n° 70005

n° 70006 CYL  
n° 70006 (without locking)

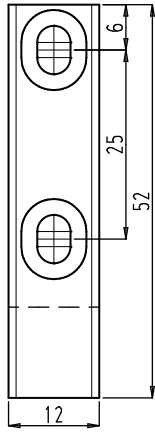
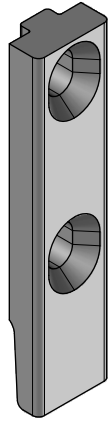
Note:  
The hook bolts are drawn in opened position.



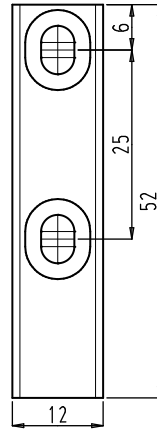
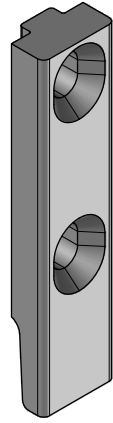
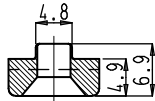


B-SLIDE

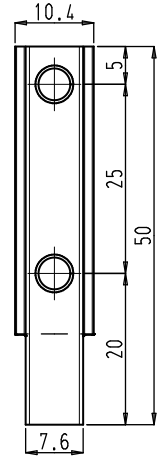
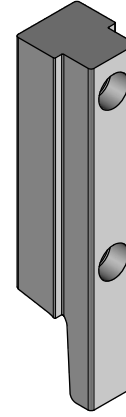
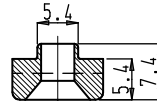
### 4. Keeps



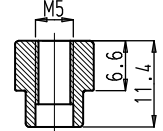
n° 72000



n° 72001

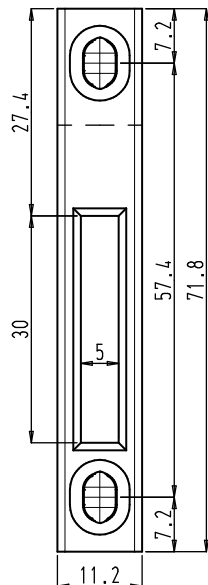
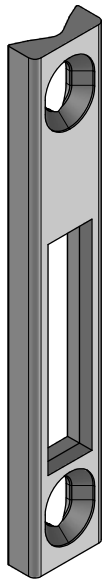


n° 72006

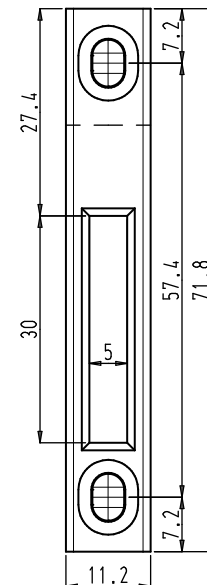
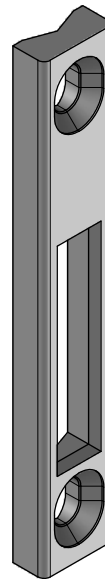
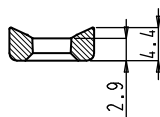


To slide in a frame groove and clamp.

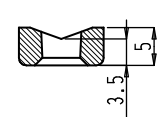
- The keeps in zinc alloy are profile-related.



n° 72002



n° 72003





## 5. Operations

### 5.1. Sobinox handles

- Characteristics Sobinox handles: see chapter A11.15.
- The handles can be supplied without square spindle or with square spindle of 7 mm with length 25 mm or 38 mm.

#### With oval backplate



#### With rectangular backplate



#### Cylinder locking handles



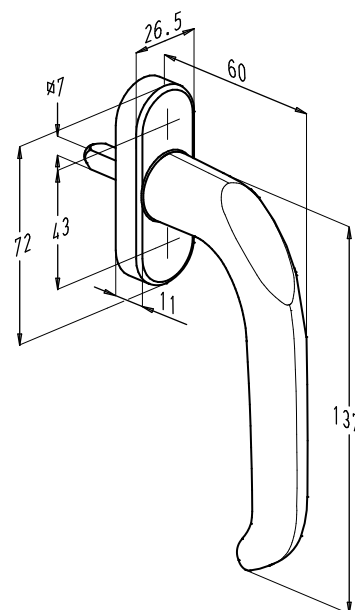
- The cylinder locking handles can be used:
  - when there's only a handle on the inside.
  - as an option for the bottom extension with locking mechanism.



## B-SLIDE

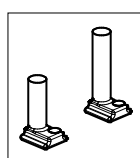
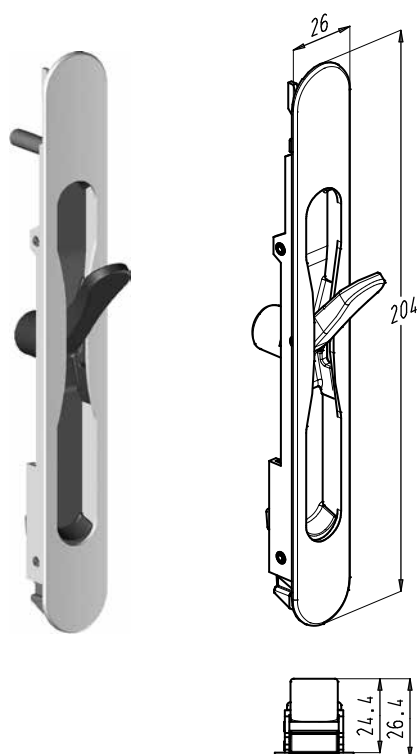
## 5.2. Horizon handle n° 30000-680

- Window handle with integrated spring system, rotating over 360° in 4 steps of 90°.
- Due to the cover, the screws are always concealed.
- Materials:
  - grip: aluminium
  - backplate: zinc alloy
  - cover: aluminium
  - finish: anodised or polyester powder coated in more than 450 RAL colours



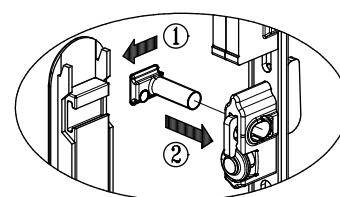
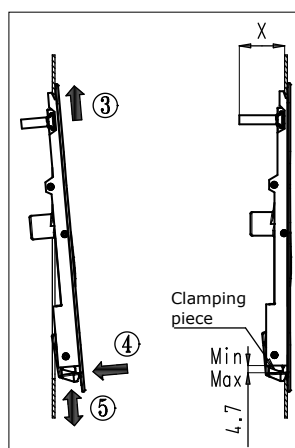
## 5.3. Finger pull n° 74003

- The B-Slide can also be operated by a finger pull with lever handle. The finger pull is connected to the hook bolt casement of the central lock.
- Easy operation:
  - lever handle upwards: open
  - lever handle downwards: close
- The finger pull is supplied with 2 connection pins (short and long) in zinc alloy. The selection of the pin is determined by the distance between the finger pull and the position of the lock. The pin must engage at least 7 mm in the hook bolt casement.
- Finish: aluminium faceplate, anodised or polyester powder coated in more than 450 RAL colours.



Connection pins

Short pin: X = 24.4 mm  
Long pin: X = 31.8 mm

**Installation:**

1. Slide pin in finger pull. The pin can be slid in from the left or right (in accordance with opening direction).
2. Mount the finger pull in the profile cut-out.
3. Slide the finger pull behind the profile wall at the top of the cut-out.
4. Turn the finger pull in the profile at the bottom of the cut-out. Make sure that the pin engages into the hook bolt casement.
5. Make sure that the clamping piece is well behind the bottom profile wall.

**Demounting:**

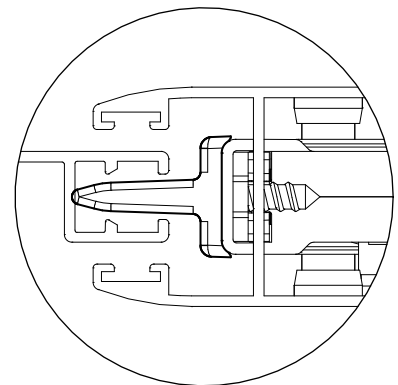
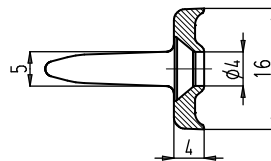
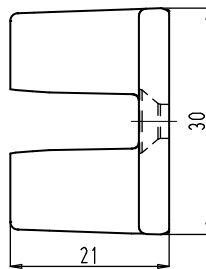
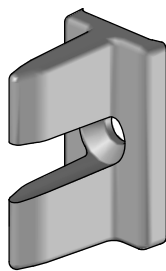
Through the hole of  $\varnothing 10$  mm (see profile preparations), you can push the clamping piece upwards with a screwdriver. The finger pull is pushed out of the profile.





## 6. Guiding piece n° 79000

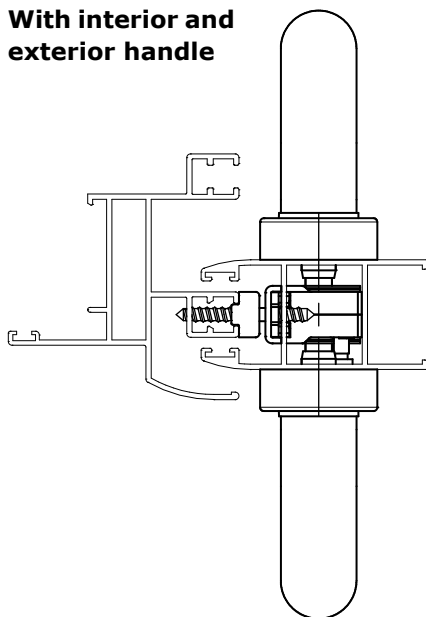
- The guiding piece provides a much better guiding of the vent when closing the sliding door.
- The guiding piece is mounted on the faceplate of the lock and is fixed together with the lock.
- We recommend to provide a guiding piece at every hook bolt.
- Material: synthetic material.
- One set n° 79000 contains 20 pieces.



Installation example

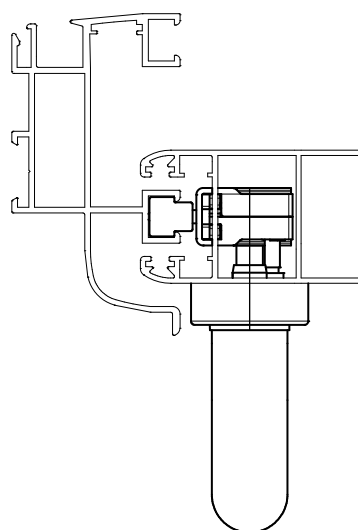
## 7. Installation examples

With interior and exterior handle



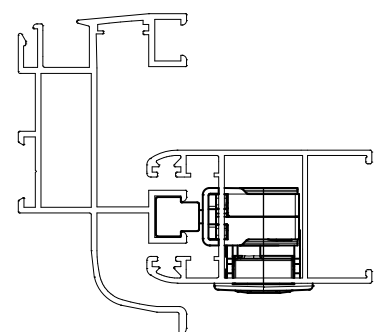
B-Slide n° 70000-14  
Keep n° 72001  
Handle n° 1850-0

With interior handle



B-Slide n° 70000-14  
Keep n° 72006  
Handle n° 1850-25

With finger pull



B-Slide n° 70000-14  
Keep n° 72006  
Finger pull n° 74003

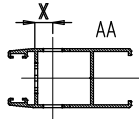


B-SLIDE

# 8. Profile preparations and installation

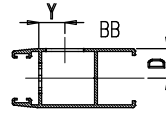
## Preparations

### Handle and cylinder



Length X depends on the central lock type:  
 70000-10 : X = 7.4 mm  
 70000-14 : X = 9.9 mm  
 70000-20 : X = 16.4 mm

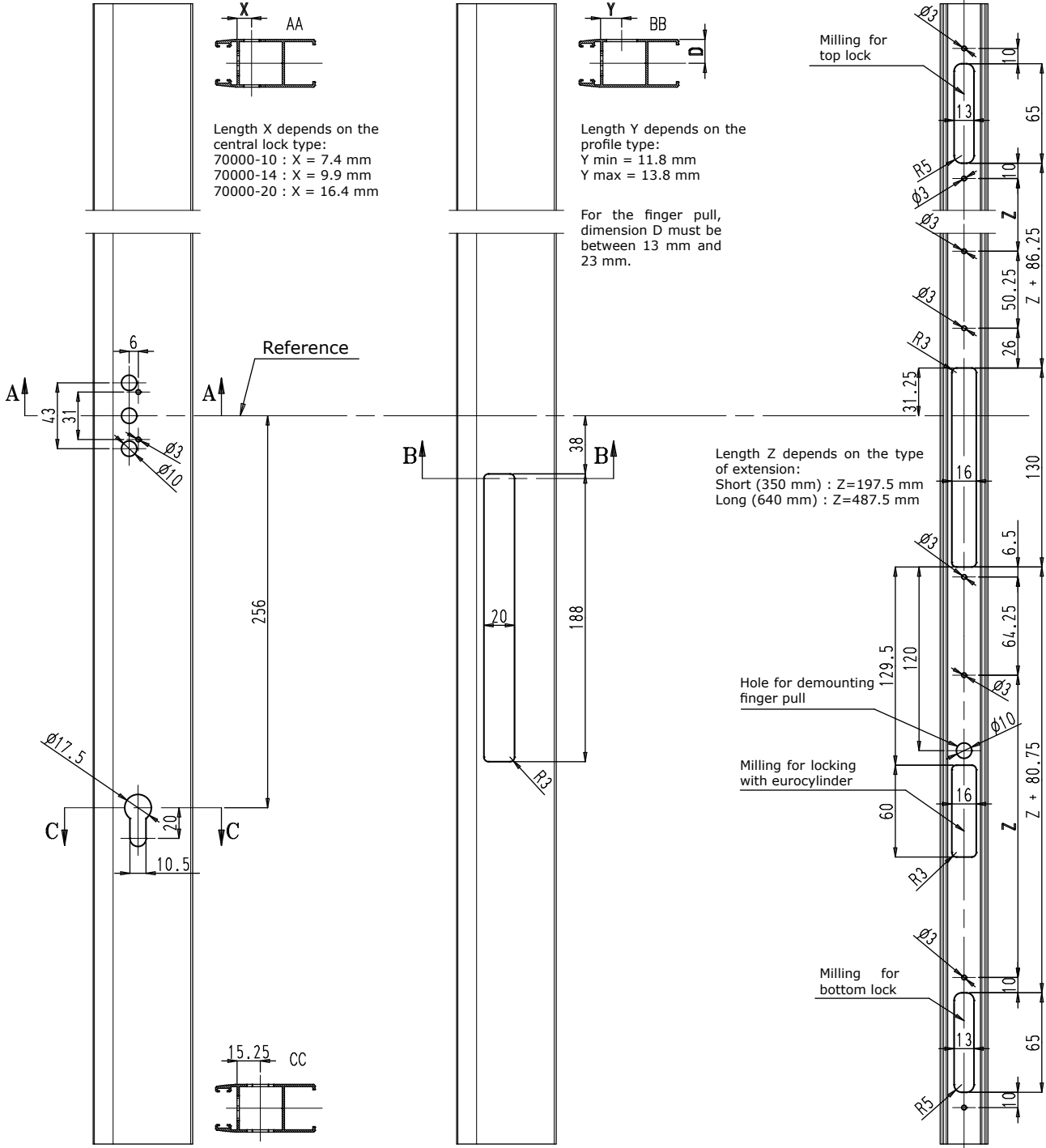
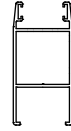
### Finger pull



Length Y depends on the profile type:  
 Y min = 11.8 mm  
 Y max = 13.8 mm

For the finger pull, dimension D must be between 13 mm and 23 mm.

Central lock  
 Locking mechanism  
 Top lock  
 Bottom lock

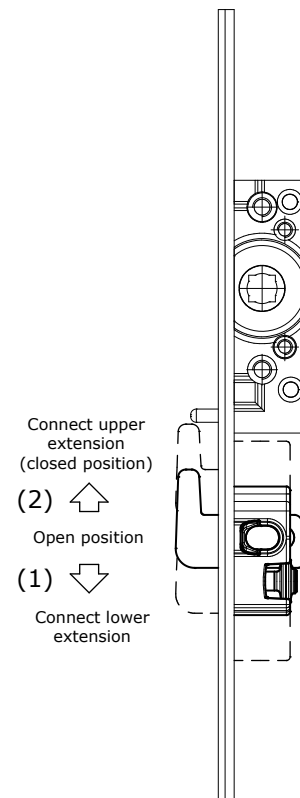


Length Z depends on the type of extension:  
 Short (350 mm) : Z=197.5 mm  
 Long (640 mm) : Z=487.5 mm



## Installation

- The hook bolt must be put in the correct position to make the connection with the top and bottom extension. This can only be done by pushing in the anti-mishandling device.
- We recommend to use countersunk head tapping fixing screws DIN 7982 St3.9 or St4.2.
- Installation order:
  - Mount the central lock in the profile cut-out and put the hook bolt in the lower position (1).
  - Fix the central lock using the lower fixing hole.
  - Connect the bottom extension (with the hook bolt in the lower position (1)) and fix it.
  - Slide the hook bolts to the upper position (2).
  - Fix the central lock using the upper fixing hole.
  - Connect the upper extension (with the hook bolt in the upper position (2)) and fix it.



- Positioning screws or support screws:  
Where the profile allows it, we recommend to mount these screws to prevent twisting of the central lockcase when fixing the handle.

