



DOORS



K17.11
DOOR BOLTS

01.02.2017



DOOR BOLTS

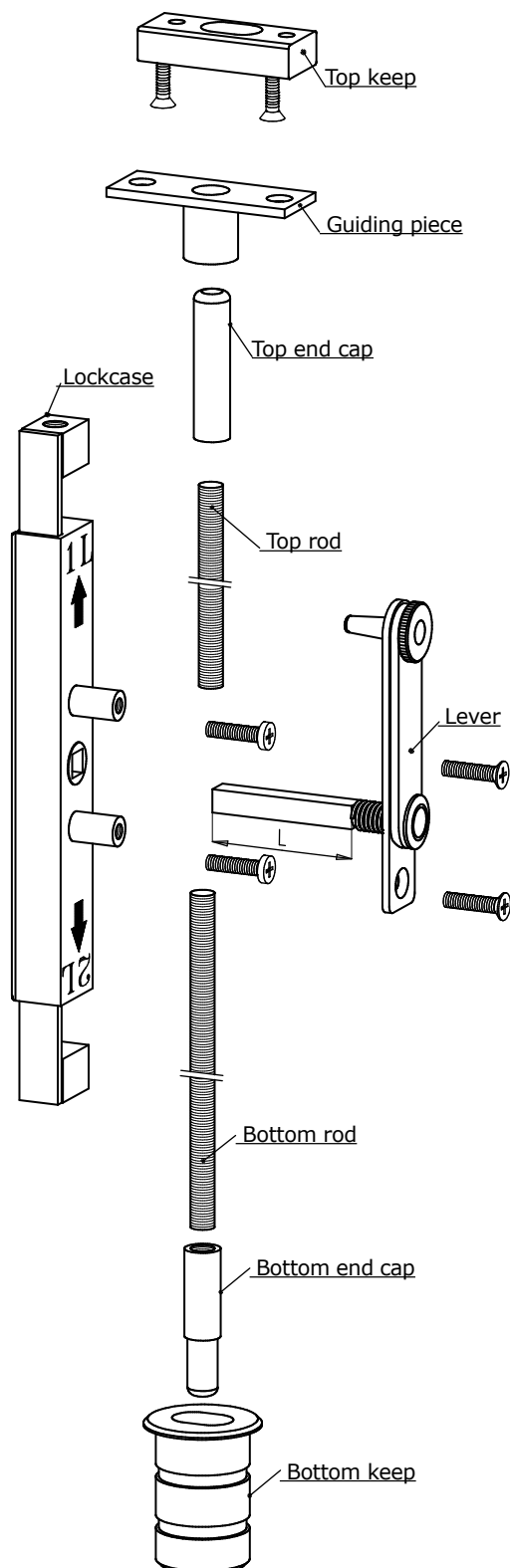
CONTENTS

1. Locking set series 86000	K17.11.03
2. Lock n° 529T	K17.11.05
3. Door bolt n° 751-...	K17.11.06
4. Door bolt n° 752-...	K17.11.07
5. Door bolt n° 753	K17.11.08
6. Door bolt n° 754	K17.11.08
7. Door bolt n° 755	K17.11.09
8. Door bolt n° 756, n° 86101	K17.11.10
9. Wedges	K17.11.11
9.1. Wedges n° 755-2, n° 756-2 and n° 755-4	K17.11.11
9.2. Bolt keep n° 755-3 and n° 755-3B	K17.11.11
10. Door stay n° 760	K17.11.12

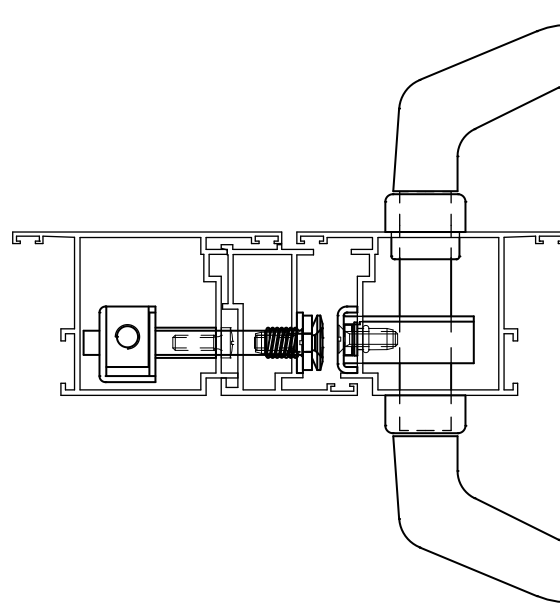


1. Locking set series 86000

General (example set)



- Locking set with lever operation for the second vent of a double door.
- **The locking set is profile related and can be designed by Sobinco on request, to suit the dimensions and characteristics of your sections.**
- The set is suitable if your doors are required to comply with security against burglary requirements.
- The system contains a number of high security features and is **SKG** approved with **2 stars**:
 - Screwable aluminium keep
 - Operation lever with locking pin
 - Integrated inside the profile
- The system is suitable for left hand and right hand open in doors as well as open out doors. Be careful! This is critical for the choice and installation of the lockcase.
- The top rod must be cut off in accordance with the vent height.
- All fixing screws are included in the set.
- Installation example: open out door.



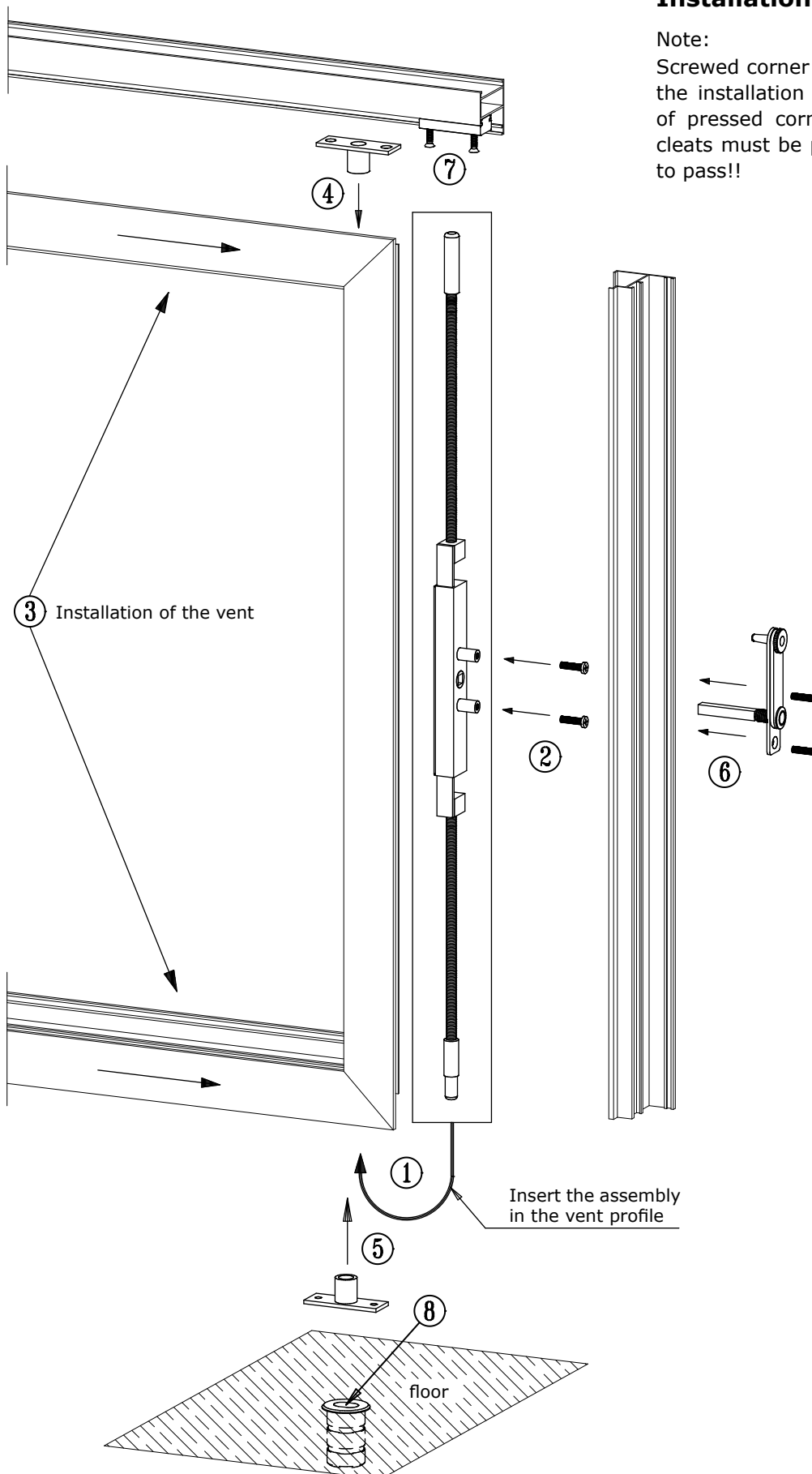


DOOR BOLTS

Installation order

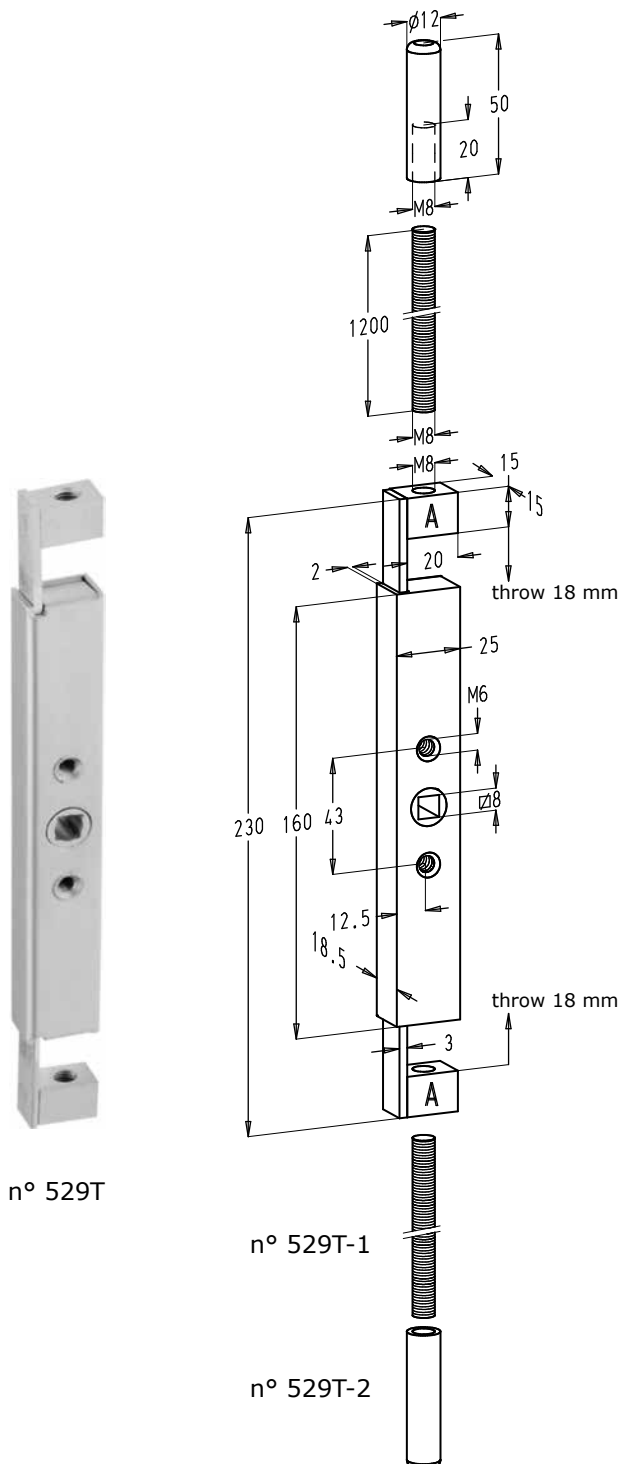
Note:

Screwed corner cleats are required for the installation of the profiles instead of pressed corner cleats. The corner cleats must be pre-drilled for the rods to pass!!





2. Lock n° 529T



Lock n° 529T

- Lock n° 529T with 2 rods n° 529T-1 and 2 end caps n° 529T-2 locks the door into the head and sill.
- The rod connectors A for the rods are threaded M8 as standard.
- The lock is mostly used for patio doors and for the second vent of a double door.
- Operated by handle n° 516 or by door handles n° 810, 820, 822 and 823.
- Finish: steel zinc plated.

Rod n° 529T-1

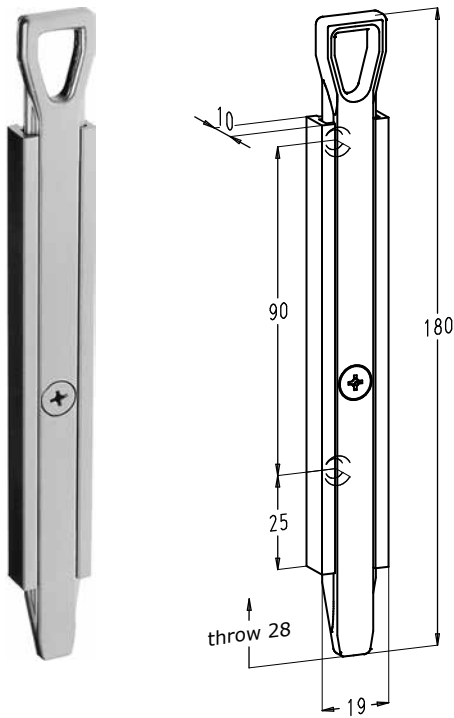
- Rod, threaded M8, length 1200 mm.
- Order separately: 2 pieces per lock.
- Finish: steel zinc plated.

End cap n° 529T-2

- End cap threaded M8.
- Order separately: 2 pieces per lock.
- Finish: stainless steel.

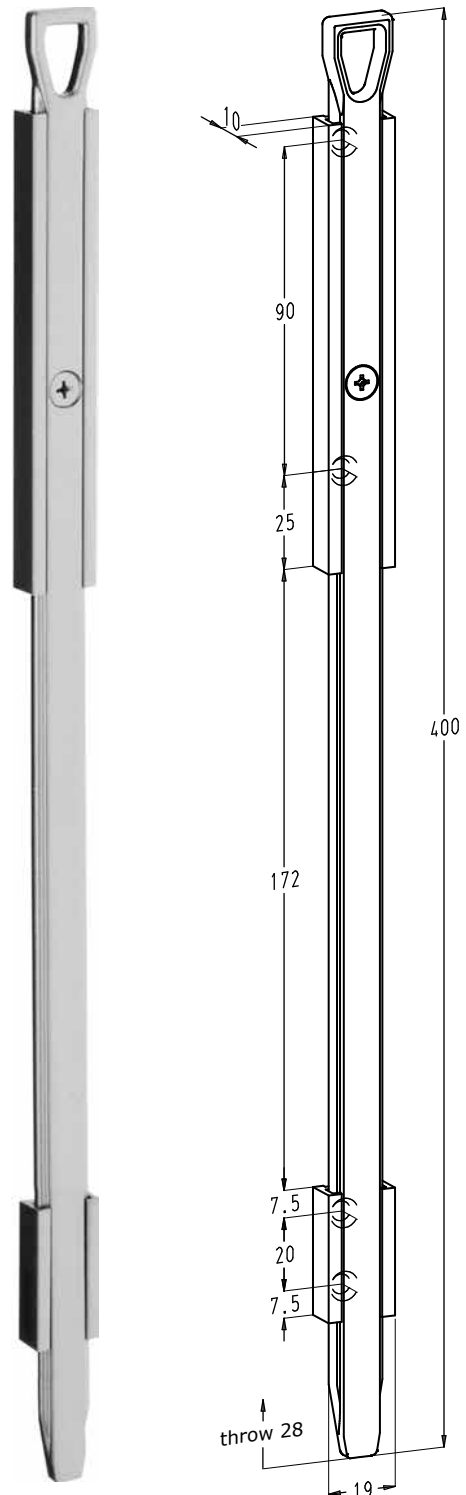


DOOR BOLTS

3. Door bolt n° 751-...

n° 751-180

- Flat bolt for top or bottom locking of steel or aluminium doors, available in two lengths: 180 mm and 400 mm.
- Finish:
 - Bolt, brass satin chromium plated.
 - Guide piece, aluminium anodised.
- Simple installation:
 - loosen the central screw and slide the bolt out of the guide piece.
 - screw the guide piece to the section.
 - slide the bolt back into the guide piece and tighten the central screw.



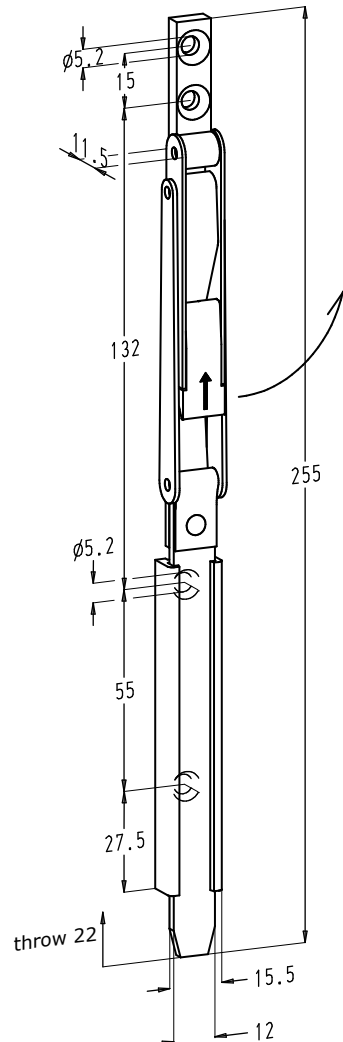
n° 751-400



4. Door bolt n° 752-...



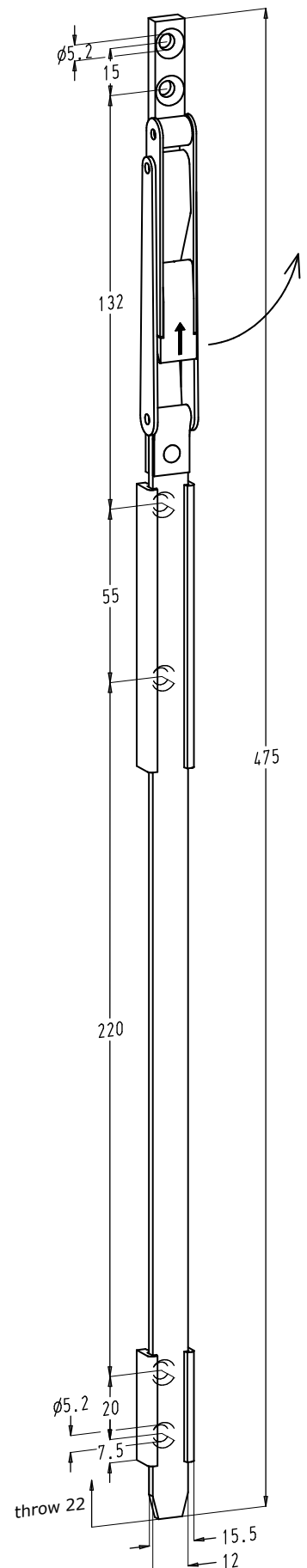
n° 752-255



- Bolt with lever operation, available in two lengths: 255 mm or 475 mm.
- The bolt will not disengage through vibration or impact.
- Finish:
 - Bolt and mechanism, stainless steel.
 - Guide piece, aluminium anodised.
- Simple installation:
 - screw the guide piece to the section.
 - slide the bolt into the guide piece and screw the upper bracket to the section.



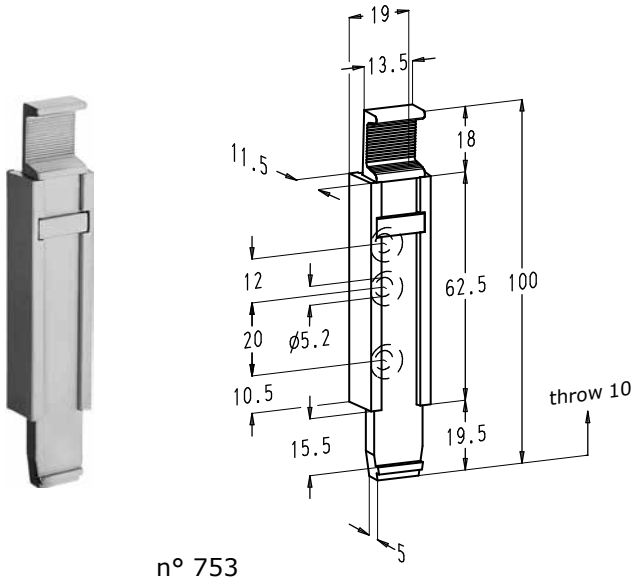
n° 752-475





DOOR BOLTS

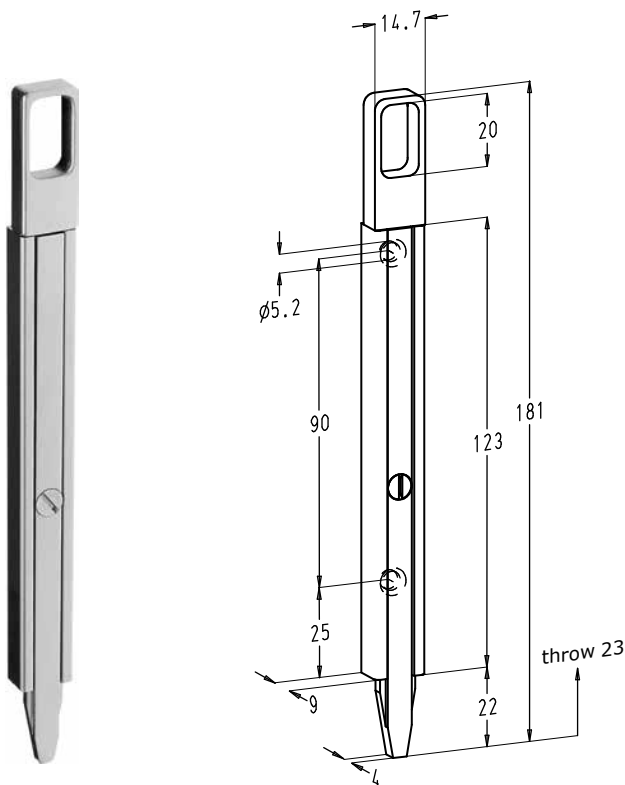
5. Door bolt n° 753



n° 753

- Also suitable for windows.
- The bolt springs into the guide piece, preventing disengagement through vibration or impact.
- Finish: aluminium anodised or polyester powder coated in a choice of more than 450 RAL colours, spring in steel.
- Simple installation: screw the guide piece to the section and slide in the spring action bolt.

6. Door bolt n° 754

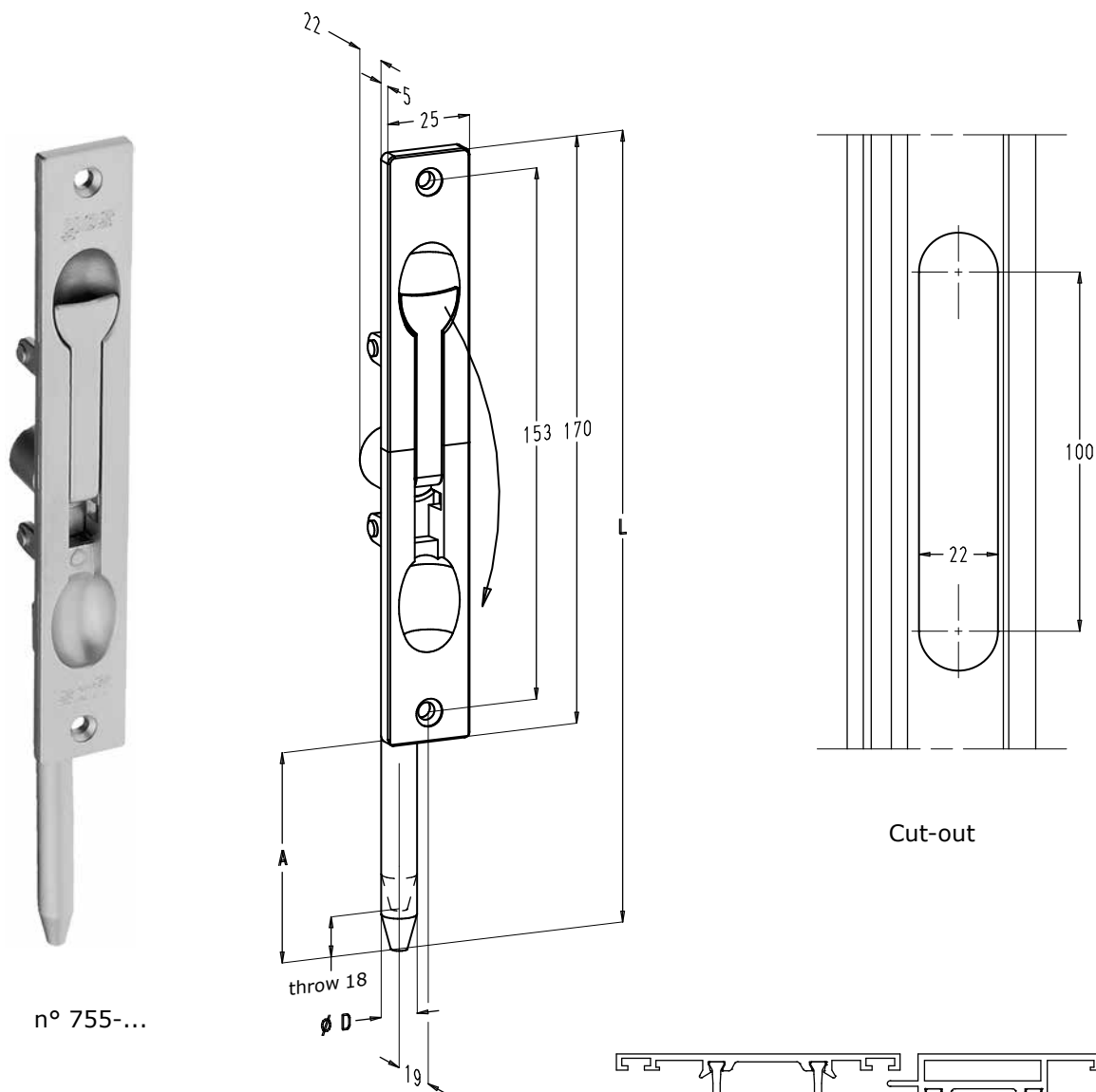


n° 754

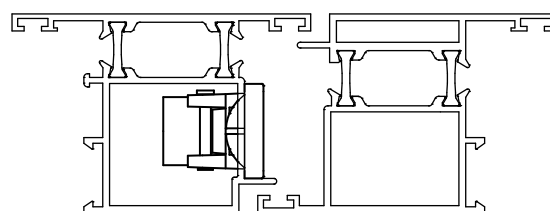
- Same bolt as n° 751, but narrower.
- Finish: aluminium anodised or polyester powder coated in a choice of more than 450 RAL colours, spring in stainless steel.
- Simple installation:
 - loosen the central screw and slide the bolt out of the guide piece.
 - screw the guide piece to the section.
 - slide the bolt back into the guide piece and tighten the central screw.



7. Door bolt n° 755



- Concealed door bolt with lever operation for top or bottom installation.
- Available with bolt in different lengths (see table). The door bolts n° 755-237 and n° 755-475 feature tapered bolt to aid engagement.
- When the door bolt is used as top bolt, it is mounted upside down.
- Finish: the main parts are in zinc alloy, polyester powder coated in a choice of more than 450 RAL colours.
- N° 755: bolt in steel zinc plated. N° 755-237 and n° 755-475: bolt in stainless steel.

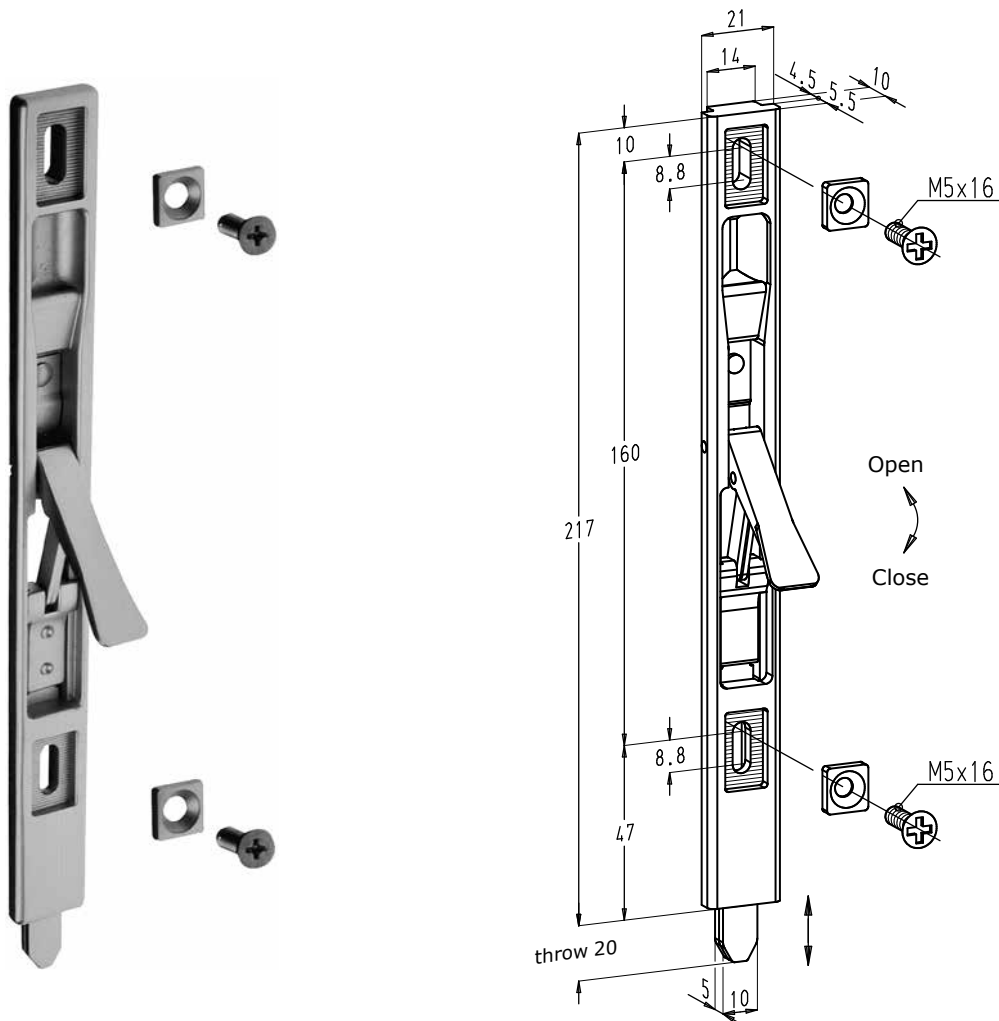


Installation bolt n° 755

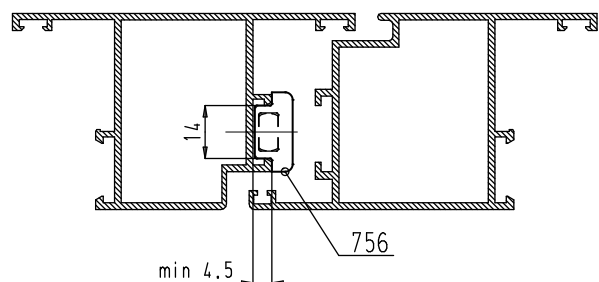
Installation	Order code	Length L (mm)	Length A (mm)	Diameter D (mm)
top/bottom	755	383	213	8
bottom	755-237	237	67	10
top	755-475	475	305	8



DOOR BOLTS

8. Door bolt n° 756, n° 86101

- Door bolt with lever operation for sections with groove width 14 mm.
- Advantage: the bolt will not disengage through vibration or impact.
- The door bolt is vertically adjustable by means of serrated plates. The adjustment range is 8.8 mm.
- Materials and finish:
 - Guide piece and plates: zinc alloy, zinc plated.
 - Bolt: stainless steel.
 - Mechanism: stainless steel and zinc alloy.
- Door bolt n° 86101 is black galvanised.
- Simple installation:
 - put the bolt into the section groove.
 - screw the bolt to the section together with the serrated plates.



Installation example

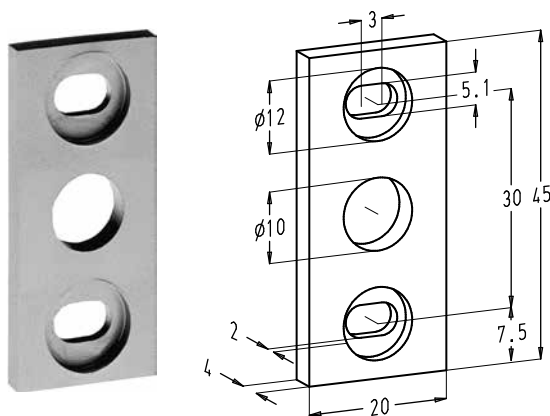


9. Wedges

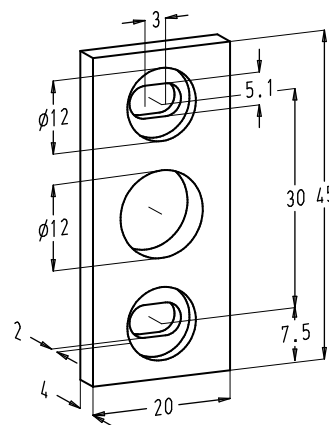
9.1. Wedges n° 755-2, n° 756-2 and n° 755-4

- The wedges are mounted on the top part of the frame section.
- Finish:
 - n° 755-2 and n° 756-2: aluminium anodised.
 - n° 755-4: stainless steel.

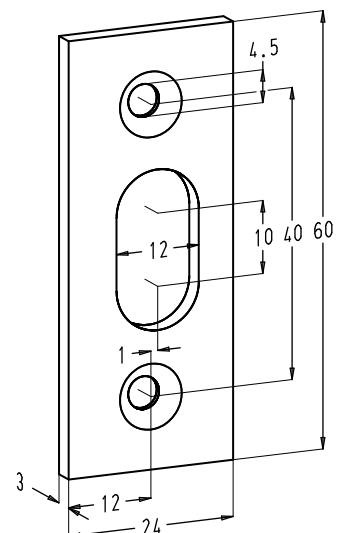
The wedge n° 755-2 is used in combination with door bolt n° 755-475.



The wedge n° 756-2 is used in combination with door bolt n° 756.

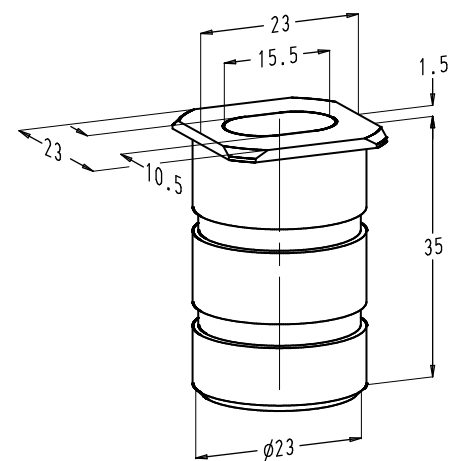
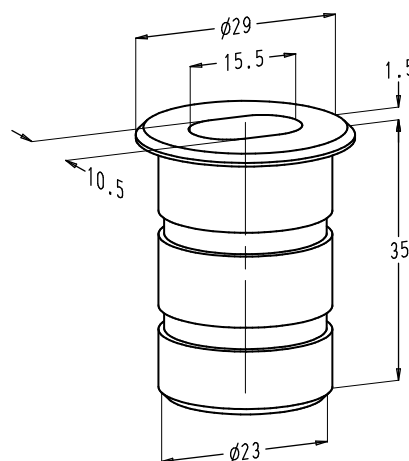


The wedge n° 755-4 is used in combination with door bolt n° 756.



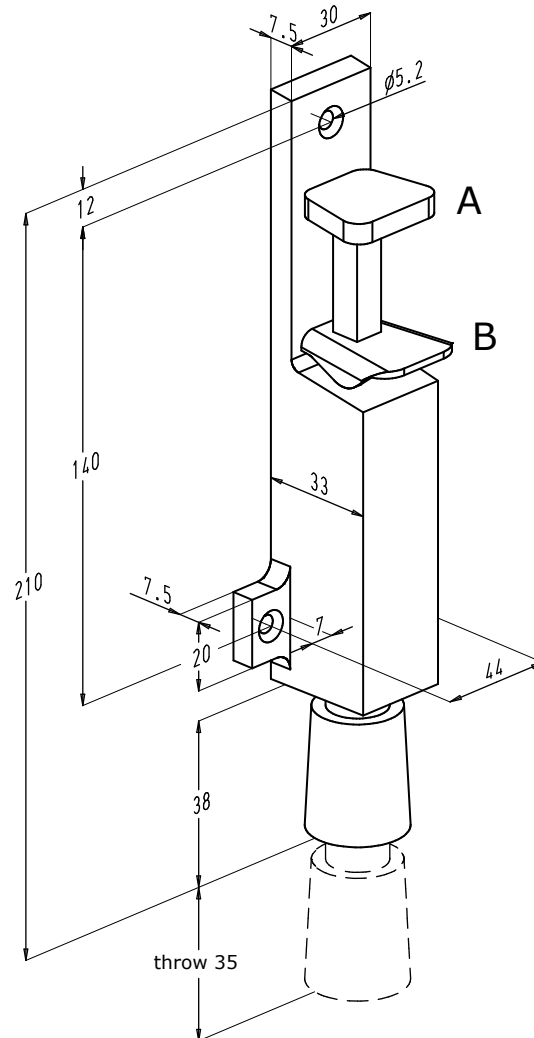
9.2. Bolt keep n° 755-3 and n° 755-3B

- The bolt keep is used in combination with door bolts n° 751, 752, 753, 754, 755, 755-237 and 756.
- Finish: bolt keep in zinc alloy, spring in stainless steel.
- The advantage of the bolt keep is that there is no visible hole in the floor which prevents ingress of dirt which would otherwise prevent the satisfactory operation of the door bolt.
- The spring-loaded cover closes the bolt keep minimising the risk of a build up of dirt.





DOOR BOLTS

10. Door stay n° 760

- To hold the door open, push the button A with your foot. To release the door, push with your foot on the release plate B.
- Finish: aluminium anodised or polyester powder coated in more than 450 RAL colours. Buffer in neoprene.