



DOORS



K16.15
DOOR PULLS

01.12.2018



DOOR PULLS

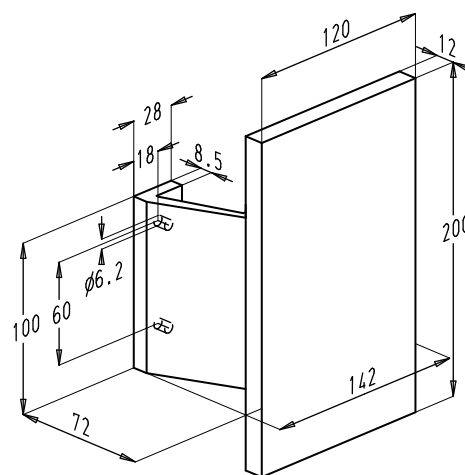
CONTENTS

- 1. Door pulls series 6000 K16.15.03
- 2. Bar pulls series 7001 and 7002 K16.15.05

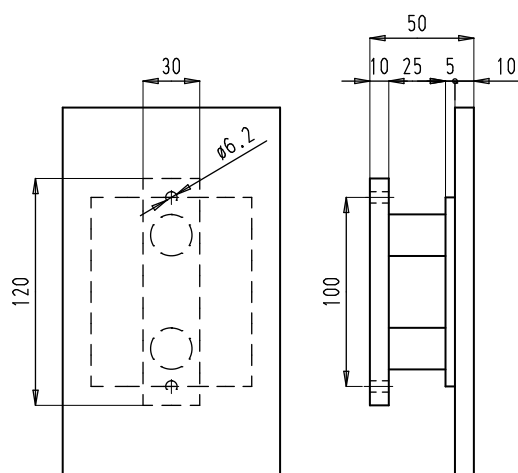
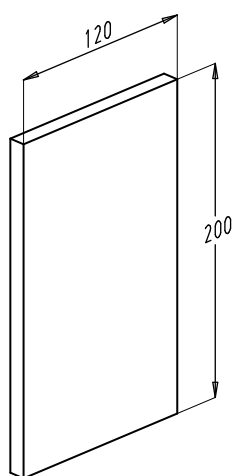


1. Door pulls series 6000

- The door pulls are non-handed.
- Finish: aluminium anodised or polyester powder coated in more than 450 RAL colours.
- The door pulls for glass doors have a different kind of support (type 'V').



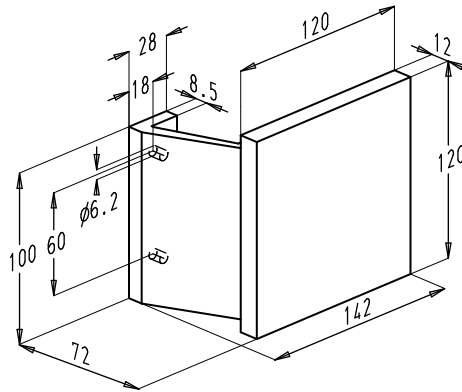
n° 6001



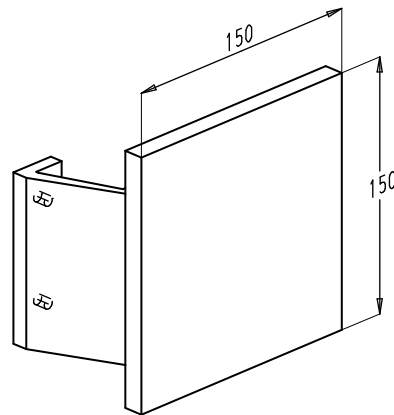
n° 6001V



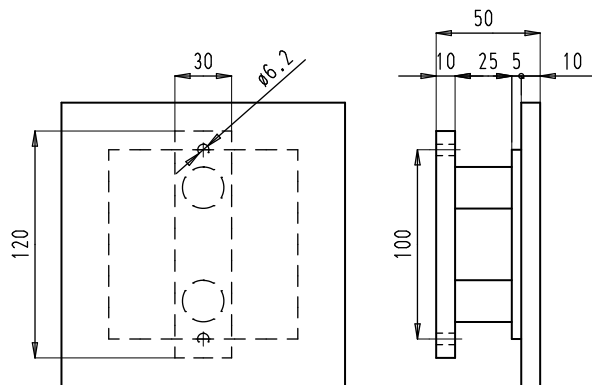
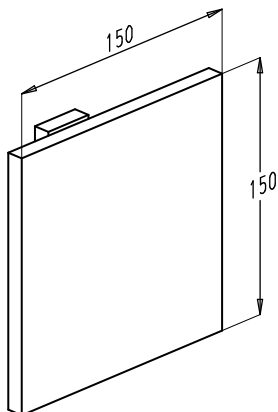
DOOR PULLS



n° 6003



n° 6004

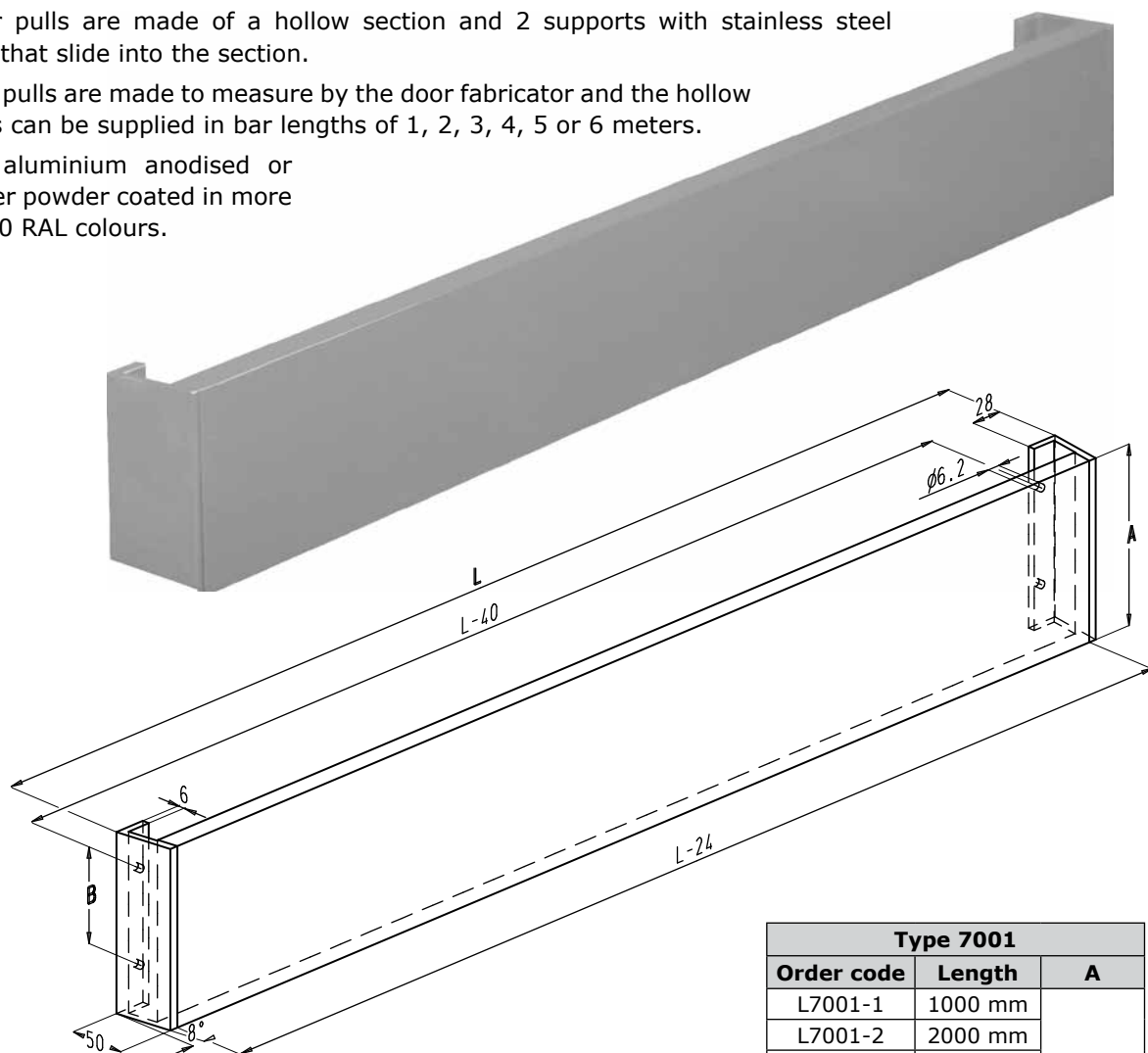


n° 6004V

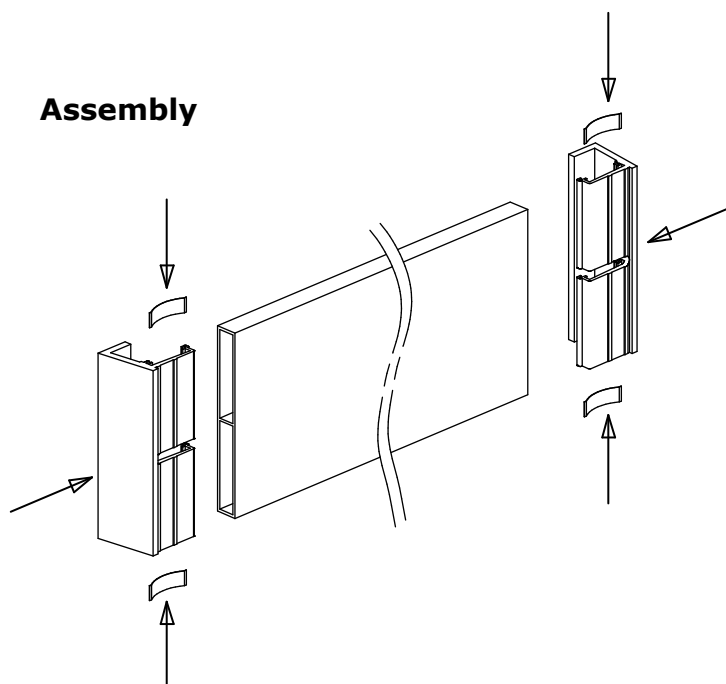


2. Bar pulls series 7001 and 7002

- The bar pulls are made of a hollow section and 2 supports with stainless steel springs that slide into the section.
- The bar pulls are made to measure by the door fabricator and the hollow sections can be supplied in bar lengths of 1, 2, 3, 4, 5 or 6 meters.
- Finish: aluminium anodised or polyester powder coated in more than 450 RAL colours.



Assembly



Type 7001		
Order code	Length	A
L7001-1	1000 mm	100 mm
L7001-2	2000 mm	
L7001-3	3000 mm	
L7001-4	4000 mm	
L7001-5	5000 mm	
L7001-6	6000 mm	

Type 7002		
Order code	Length	A
L7002-1	1000 mm	150 mm
L7002-2	2000 mm	
L7002-3	3000 mm	
L7002-4	4000 mm	
L7002-5	5000 mm	
L7002-6	6000 mm	

Supports (springs included)		
Order code	A (mm)	B (mm)
7001-1	100	60
7002-1	150	80

- Note: 2 supports must always be ordered per door pull!

