



# K16.14 STAINLESS STEEL DOOR PULLS

01.03.2018



## STAINLESS STEEL DOOR PULLS

### CONTENTS

<b>1. General</b> .....	K16.14.03
1.1. General information	K16.14.03
1.2. Explanation dimensions	K16.14.03
1.3. Explanation normal type and VI type	K16.14.03
1.4. Care tips	K16.14.03
<b>2. Door pulls</b> .....	K16.14.04
2.1. 1870/1871	K16.14.04
2.2. 1770/1771	K16.14.04
2.3. 1875/1876	K16.14.05
2.4. 1776	K16.14.05
2.5. 1863/1864	K16.14.06
2.6. 1867/1868	K16.14.06
2.7. 1873/1874	K16.14.07
2.8. 1878/1879	K16.14.07
2.9. 1882/1883	K16.14.08
2.10. 1884/1885	K16.14.08
2.11. 1861/1862	K16.14.09
2.12. 1888/1889	K16.14.09
2.13. 1887	K16.14.10
2.14. 1787/1788	K16.14.10
2.15. 1869	K16.14.11
<b>3. Fixing sets</b> .....	K16.14.12
3.1. Single-sided fixing	K16.14.12
3.2. Double-sided fixing	K16.14.13
3.3. Single-sided fixing at 30° on aluminium or timber doors	K16.14.14
3.4. Double-sided fixing at 30° on aluminium or timber doors	K16.14.14
3.5. Invisible fixing	K16.14.15



## 1. General

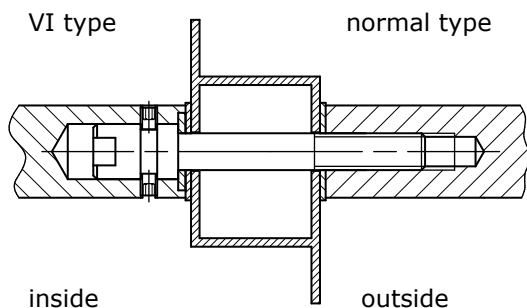
### 1.1. General information

- The Sobinox door pulls are manufactured from high-grade stainless steel AISI 304. The Sobinox door pulls are supplied with a satin finish.
- These door pulls can be used in many different sectors due to their aesthetic, practical, maintenance friendly and hygienic properties: e.g. private houses, hospitals, catering, industry, ...
- The fixing sets must be ordered separately and are available for different section depths. You will find more information about the fixing sets on pages K16.14.12 to K16.14.16.
- The door pulls are non-handed.

### 1.2. Explanation dimensions

- A = length between fixing holes
- B = depth
- C = width
- D = diameter
- E = side
- L = overall length
- VI = with invisible fixing (non-threaded and can only be used with small press screws)

### 1.3. Explanation normal type and VI type



### 1.4. Care tips

Maintenance should be carried out at suitable intervals to prevent surface corrosion and for reasons of hygiene.

#### Normal maintenance

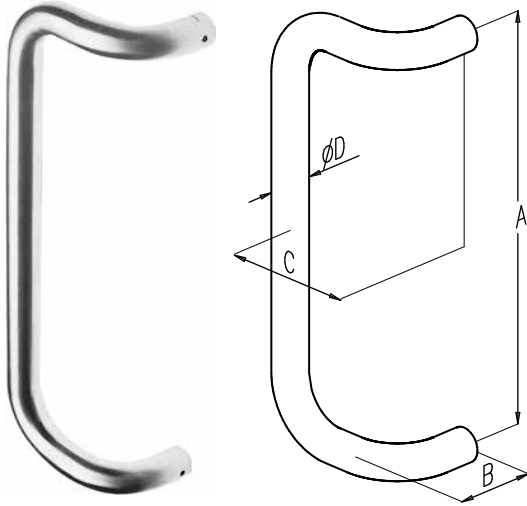
- Clean the stainless steel parts regularly
- Treat the surface with soapy water or with a mild detergent
- Rinse of the detergent with clean water
- Polish with a soft cloth or sponge

#### Never use

- Scouring powders
- Steel wool or steel brushes
- Highly abrasive materials

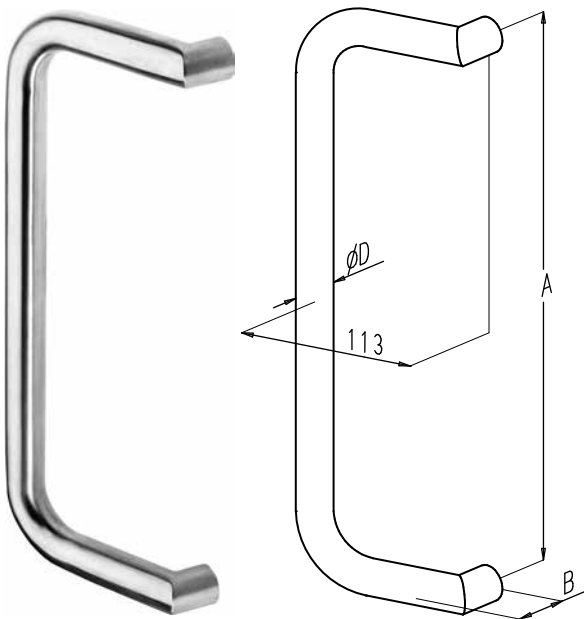


## STAINLESS STEEL DOOR PULLS

**2. Door pulls****2.1. 1870/1871**

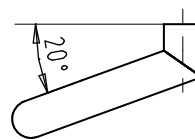
Order code	A (mm)	B (mm)	C (mm)	D (mm)
1870-250	250	75	100	25
1870-250 VI	250	75	100	25
1870-300	300	75	100	25
1870-300 VI	300	75	100	25
1870-350	350	75	100	25
1870-350 VI	350	75	100	25
1870-400	400	75	100	25
1870-400 VI	400	75	100	25
1871-300	300	85	125	30
1871-300 VI	300	85	125	30
1871-350	350	85	125	30
1871-350 VI	350	85	125	30
1871-400	400	85	125	30
1871-400 VI	400	85	125	30

This type is available made to measure with diameter 25 or 30 mm and with hole centres (A) from 200 to 2000 mm.

**2.2. 1770/1771**

Order code	A (mm)	B (mm)	D (mm)
1770-300	300	75	25
1770-300 VI	300	75	25
1770-500	500	75	25
1770-500 VI	500	75	25
1771-300	300	77	30
1771-300 VI	300	77	30
1771-500	500	77	30
1771-500 VI	500	77	30

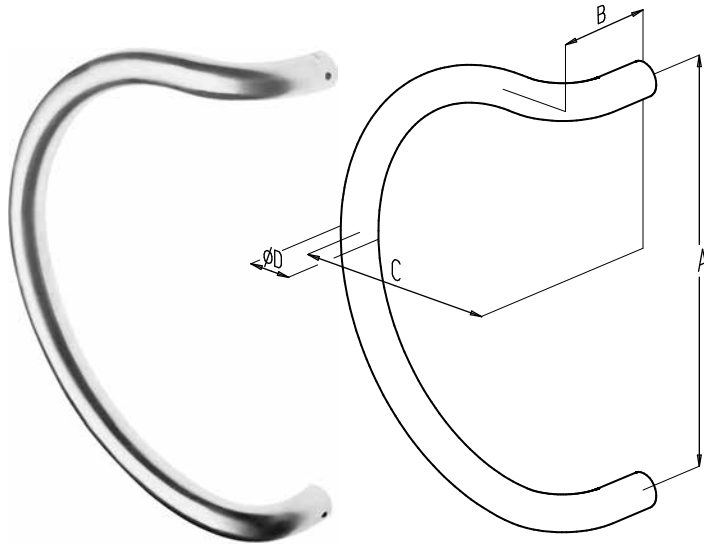
This type is available made to measure with diameter 25 or 30 mm and with hole centres (A) from 200 to 2000 mm.





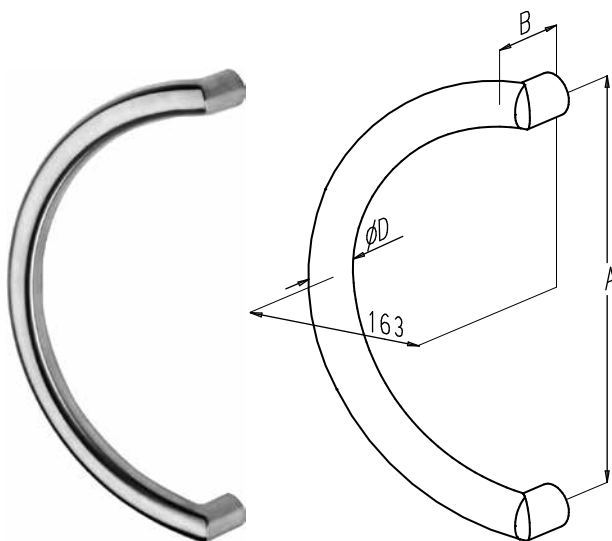
STAINLESS STEEL DOOR PULLS

2.3. 1875/1876

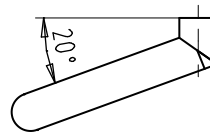


Order code	A (mm)	B (mm)	C (mm)	D (mm)
1875-200	200	75	140	25
1875-200 VI	200	75	140	25
1875-300	300	75	190	25
1875-300 VI	300	75	190	25
1876-300	300	85	210	30
1876-300 VI	300	85	210	30

2.4. 1776



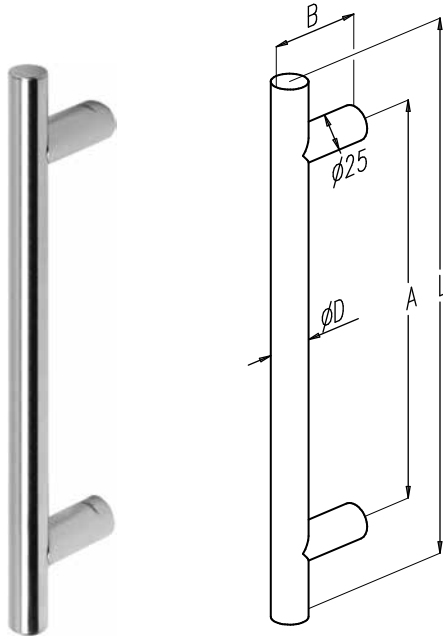
Order code	A (mm)	B (mm)	D (mm)
1776-300	300	89.5	30
1776-300 VI	300	89.5	30





## STAINLESS STEEL DOOR PULLS

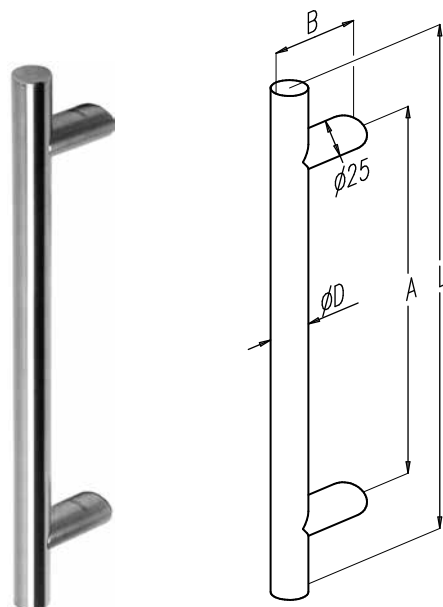
## 2.5. 1863/1864



Order code	A (mm)	B (mm)	D (mm)	L (mm)
1863-200	200	75	25	300
1863-200 VI	200	75	25	300
1863-300	300	75	25	400
1863-300 VI	300	75	25	400
1863-400	400	75	25	500
1863-400 VI	400	75	25	500
1863-500	500	75	25	600
1863-500 VI	500	75	25	600
1864-400	400	85	30	500
1864-400 VI	400	85	30	500
1864-500	500	85	30	600
1864-500 VI	500	85	30	600

This type is available made to measure with diameter 25 or 30 mm and with hole centres (A) from 200 to 2000 mm.

## 2.6. 1867/1868



Order code	A (mm)	B (mm)	D (mm)	L (mm)
1867-200	200	75	25	300
1867-200 VI	200	75	25	300
1867-300	300	75	25	400
1867-300 VI	300	75	25	400
1867-400	400	75	25	500
1867-400 VI	400	75	25	500
1867-500	500	75	25	600
1867-500 VI	500	75	25	600
1868-400	400	85	30	500
1868-400 VI	400	85	30	500
1868-500	500	85	30	600
1868-500 VI	500	85	30	600

This type is available made to measure with diameter 25 or 30 mm and with hole centres (A) from 200 to 2000 mm.

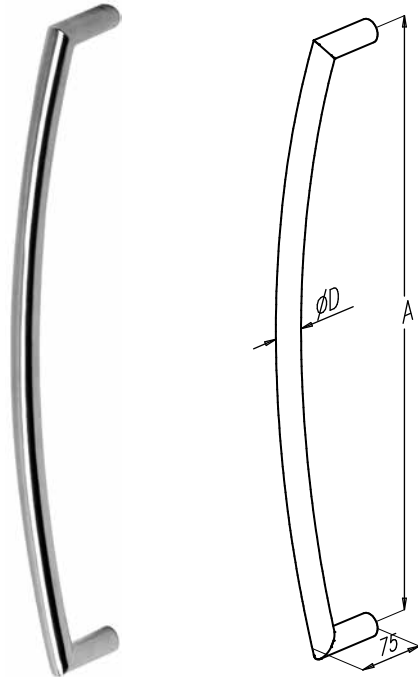


Note: this type is provided with a slanting support and is fixed on the door at an angle of 30°.



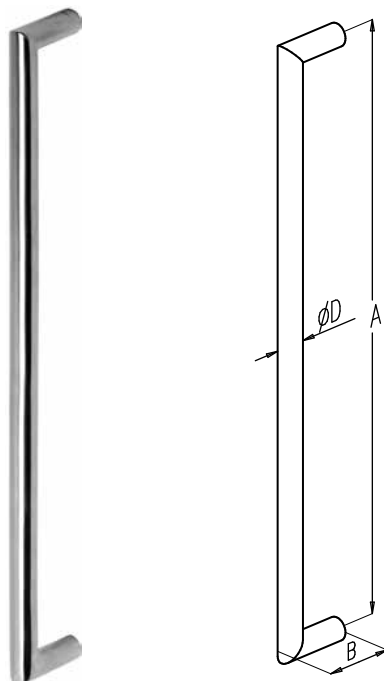
## STAINLESS STEEL DOOR PULLS

## 2.7. 1873/1874



Order code	A (mm)	D (mm)
1873-300	300	25
1873-300 VI	300	25
1873-650	650	25
1873-650 VI	650	25
1874-300	300	30
1874-300 VI	300	30
1874-500	500	30
1874-500 VI	500	30
1874-650	650	30
1874-650 VI	650	30
1874-770	770	30
1874-770 VI	770	30

## 2.8. 1878/1879



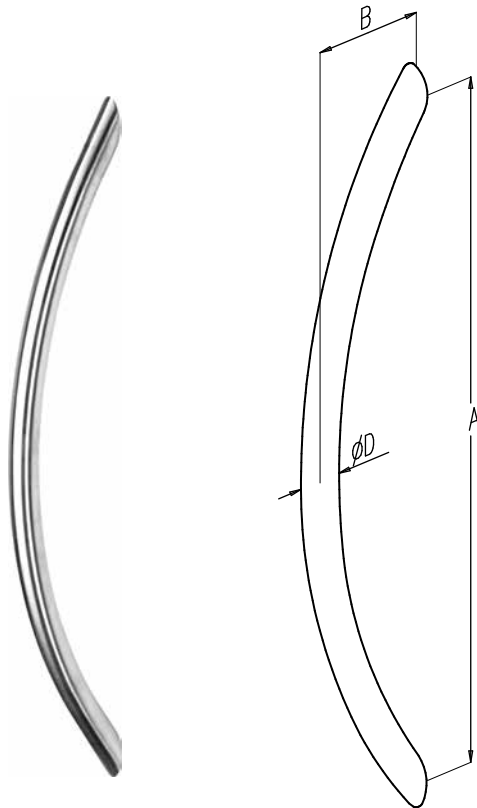
Order code	A (mm)	B (mm)	D (mm)
1878-300	300	75	25
1878-300 VI	300	75	25
1878-650	650	75	25
1878-650 VI	650	75	25
1879-300	300	85	30
1879-300 VI	300	85	30
1879-500	500	85	30
1879-500 VI	500	85	30
1879-650	650	85	30
1879-650 VI	650	85	30
1879-1000	1000	85	30
1879-1000 VI	1000	85	30

This type is available made to measure with diameter 25 or 30 mm and with hole centres (A) from 200 to 2000 mm.



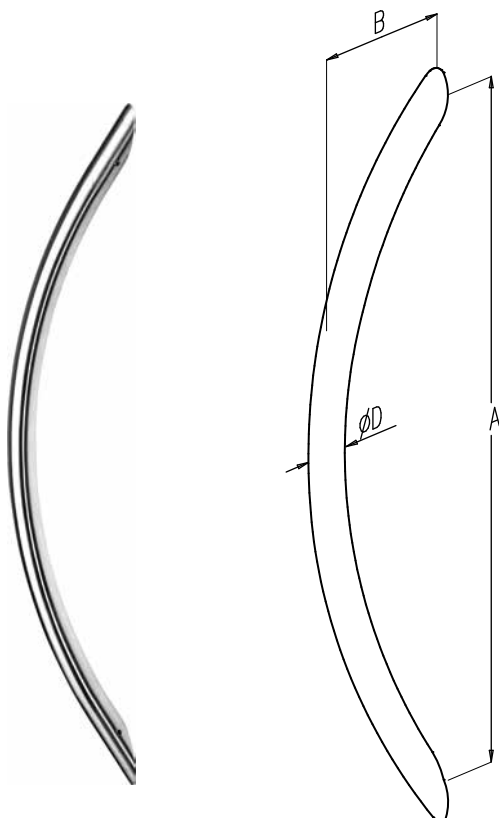
STAINLESS STEEL DOOR PULLS

2.9. 1882/1883



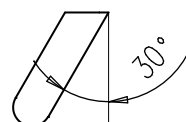
Order code	A (mm)	B (mm)	D (mm)
1882-300	300	75	25
1882-300 VI	300	75	25
1882-500	500	107	25
1882-500 VI	500	107	25
1883-300	300	75	30
1883-300 VI	300	75	30
1883-500	500	107	30
1883-500 VI	500	107	30

2.10. 1884/1885



Order code	A (mm)	B (mm)	D (mm)
1884-300	300	45	25
1884-300 VI	300	45	25
1884-500	500	55	25
1884-500 VI	500	55	25
1885-300	300	47	30
1885-300 VI	300	47	30
1885-500	500	58	30
1885-500 VI	500	58	30

Note: this type is provided with a slanting support and is fixed on the door at an angle of 30°.

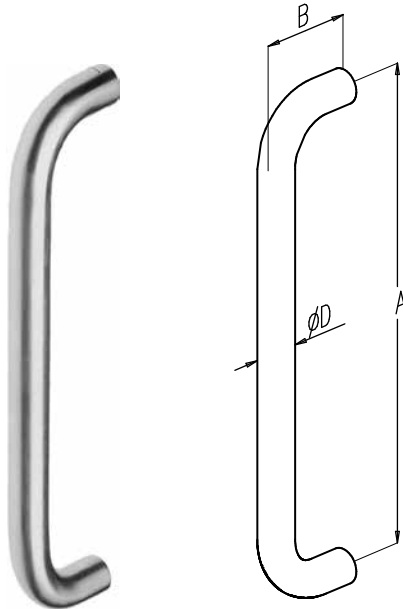






## STAINLESS STEEL DOOR PULLS

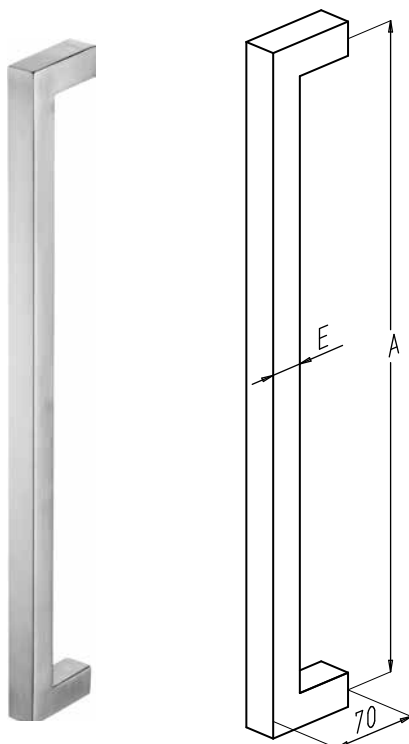
## 2.11. 1861/1862



Order code	A (mm)	B (mm)	D (mm)
1861-300	300	75	25
1861-300 VI	300	75	25
1861-350	350	75	25
1861-350 VI	350	75	25
1861-400	400	75	25
1861-400 VI	400	75	25
1862-300	300	85	30
1862-300 VI	300	85	30
1862-350	350	85	30
1862-350 VI	350	85	30
1862-400	400	85	30
1862-400 VI	400	85	30

This type is available made to measure with diameter 25 or 30 mm and with hole centres (A) from 200 to 2000 mm.

## 2.12. 1888/1889



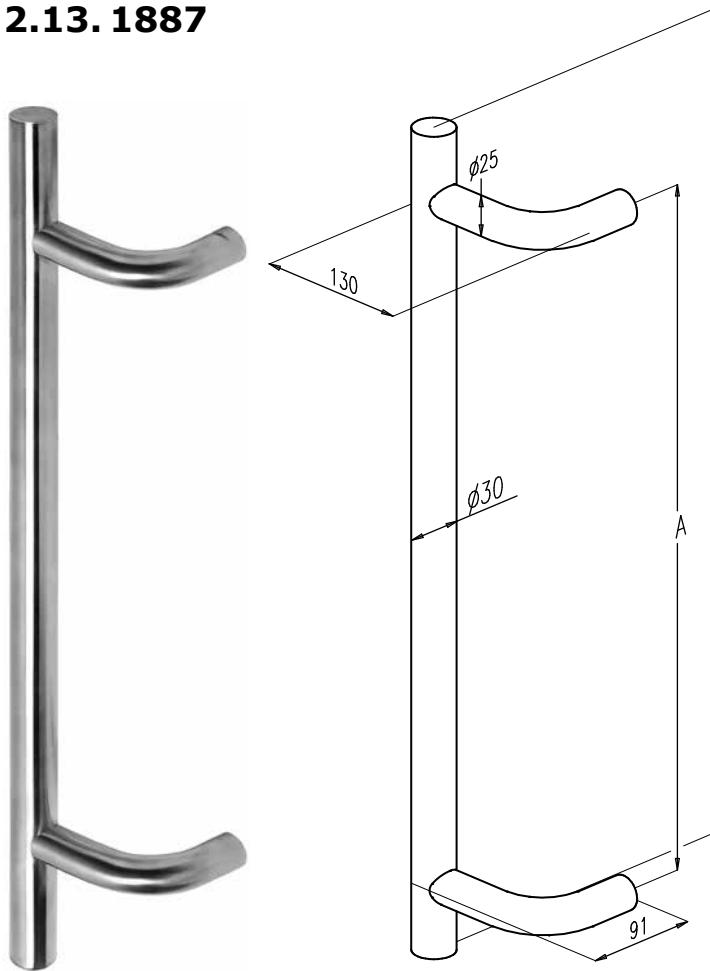
Order code	A (mm)	E (mm)
1888-300	300	25
1888-300 VI	300	25
1888-500	500	25
1888-500 VI	500	25
1889-300	300	30
1889-300 VI	300	30
1889-500	500	30
1889-500 VI	500	30
1889-650	650	30
1889-650 VI	650	30

This type is available made to measure with side 25 or 30 mm and with hole centres (A) from 200 to 2000 mm.



STAINLESS STEEL DOOR PULLS

2.13. 1887

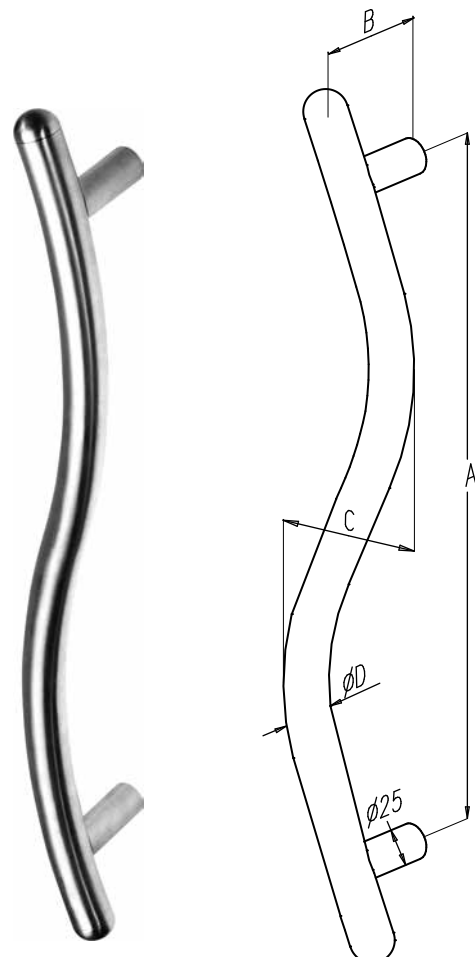


Order code	A (mm)	L (mm)
1887-350	350	500
1887-350 VI	350	500
1887-500	500	700
1887-500 VI	500	700

This type is available made to measure with diameter 30 mm and with hole centres (A) from 200 to 2000 mm.

2.14. 1787/1788

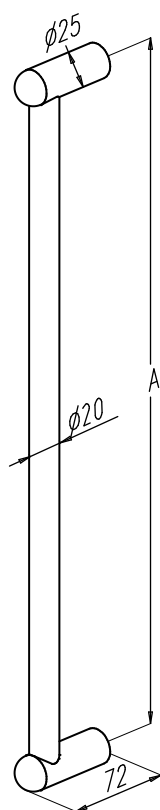
Order code	A (mm)	B (mm)	C (mm)	D (mm)
1787-350	350	75	47	25
1787-350 VI	350	75	47	25
1788-500	500	85	69	30
1788-500 VI	500	85	69	30





## STAINLESS STEEL DOOR PULLS

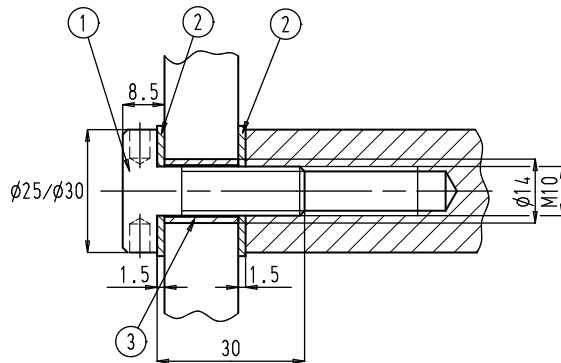
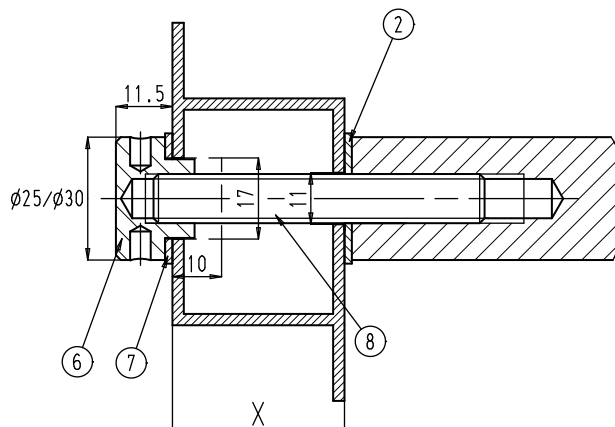
## 2.15. 1869



Order code	A (mm)
1869-300	300
1869-300 VI	300
1869-500	500
1869-500 VI	500



## STAINLESS STEEL DOOR PULLS

**3. Fixing sets****3.1. Single-sided fixing****Fixing on glass doors****Fixing on aluminium or timber doors****Parts**

- |   |                   |
|---|-------------------|
| 1) screw bolt for single-sided fixing M10 | 6) decorative nut |
| 2) plastic washer                         | 7) plastic washer |
| 3) guide bush (for glass door)            | 8) threaded rod   |

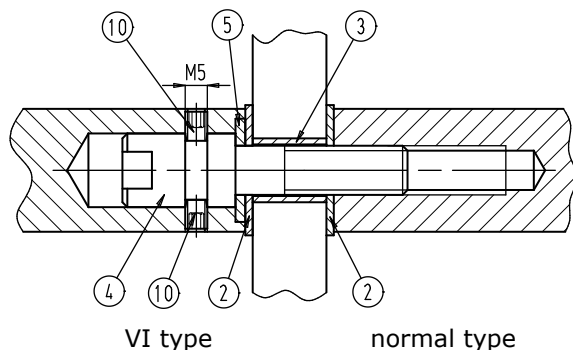
**Order table**

Order code	Material of the door	Length threaded rod	Section depth X	Diameter door pull
1890-25	glass	-	-	25
1890-30	glass	-	-	30
1891-25-70	alu/timber	70	32-47	25
1891-30-70	alu/timber	70	32-47	30
1891-25-85	alu/timber	85	47-62	25
1891-30-85	alu/timber	85	47-62	30
1891-25-100	alu/timber	100	62-77	25
1891-30-100	alu/timber	100	62-77	30
1891-25-115	alu/timber	115	77-92	25
1891-30-115	alu/timber	115	77-92	30

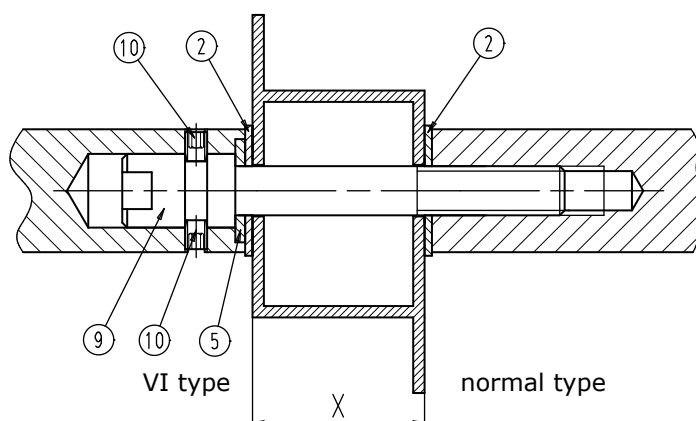


### 3.2. Double-sided fixing

#### Fixing on glass doors



#### Fixing on aluminium or timber doors



#### Parts

- 2) plastic washer
- 3) guide bush (for glass doors)
- 4) screw bolt M10 for double-sided fixing
- 5) inner washer
- 9) screw bolt for double-sided fixing
- 10) hexagon socket screw M5

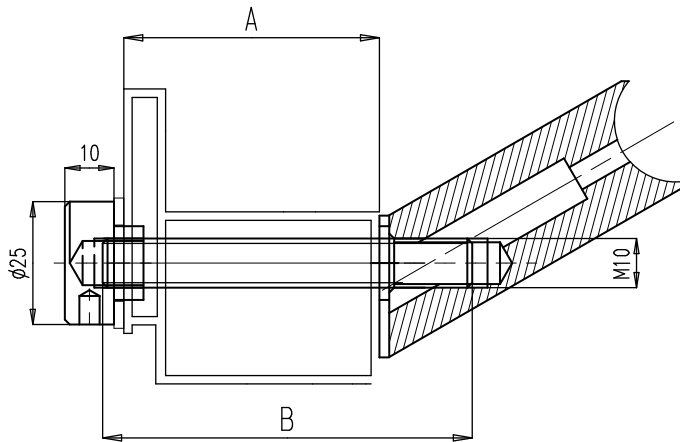
#### Order table

Order code	Material of the door	Length threaded rod	Section depth X	Diameter door pull
P1890-25	glass	-	-	25
P1890-30	glass	-	-	30
P1891-25-90	alu/timber	90*	32-47	25
P1891-30-90	alu/timber	90*	32-47	30
P1891-25-105	alu/timber	105*	47-62	25
P1891-30-105	alu/timber	105*	47-62	30
P1891-25-120	alu/timber	120*	62-77	25
P1891-30-120	alu/timber	120*	62-77	30
P1891-25-135	alu/timber	135*	77-92	25
P1891-30-135	alu/timber	135*	77-92	30
P1891-25-150	alu/timber	150*	92-107	25

\* Total length of the screw bolt

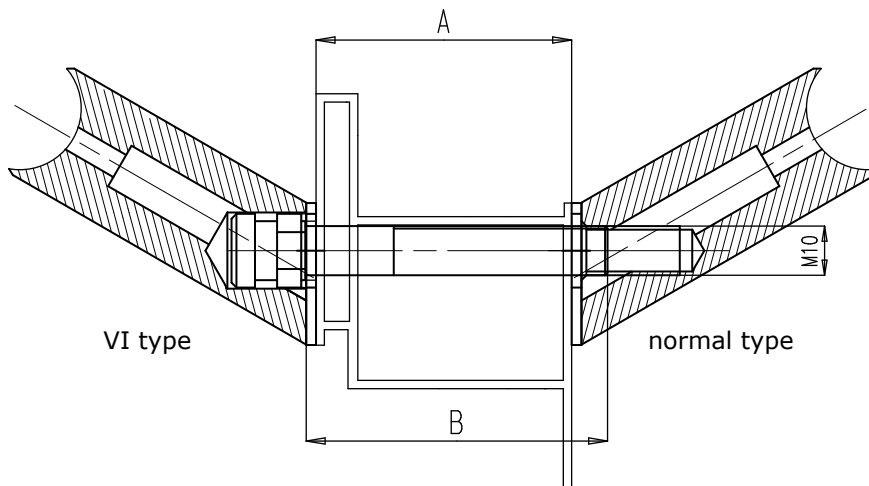


## STAINLESS STEEL DOOR PULLS

**3.3. Single-sided fixing at 30° on aluminium or timber doors**

The set contains 2 threaded rods, 2 decorative nuts and 2 fixing rings.  
This set is not available for glass doors.

Order code	Length B threaded rod	Section depth A	Diameter door pull
1894-50	50	23-33	25 or 30
1894-60	60	33-43	
1894-70	70	43-53	
1894-80	80	53-63	
1894-90	90	63-73	
1894-100	100	73-83	
1894-110	110	83-93	

**3.4. Double-sided fixing at 30° on aluminium or timber doors**

The set contains 2 threaded rods for double-sided fixing and 4 fixing rings.

Order code	Length B threaded rod	Section depth A	Diameter door pull
P1894-60	60	23-33	25 or 30
P1894-70	70	33-43	
P1894-80	80	43-53	
P1894-90	90	53-63	
P1894-100	100	63-73	
P1894-110	110	73-83	
P1894-120	120	83-93	
P1894-130	130	93-103	



### 3.5. Invisible fixing

#### Invisible fixing on aluminium doors

Set n° 1892-..		
N°	Quantity	Description
2	2	clamping ring
3	2	spring washer
4	2	threaded rod
5	2	clamping piece
6	2	screw cap

• Note: the set can't be used for VI door pulls.

Order code	Diameter door pull
1892-25	25
1892-30	30

#### Invisible fixing on timber doors

Set n° 1893-..		
N°	Quantity	Description
2	2	clamping ring
3	2	spring washer
7	2	threaded rod
8	2	fixing screw

• Note: the set can't be used for VI door pulls.

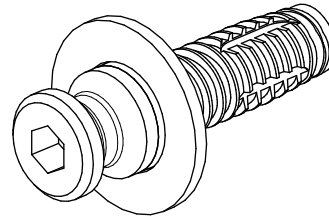
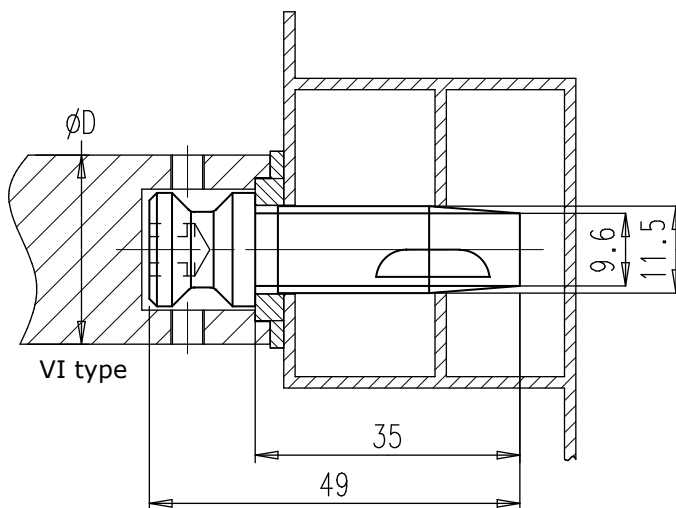
Order code	Diameter door pull
1893-25	25
1893-30	30



## STAINLESS STEEL DOOR PULLS

**Invisible fixing set n° 1896-.. on aluminium, PVC or timber doors**

- The sets can only be used for door pulls type VI.
- Thread-cutting fixing screws in stainless steel. Drill holes with diameter 9.5 mm.
- A set contains 2 screws and the corresponding fixing rings.



Order code	Diameter door pull
1896-25	25
1896-30	30

**Invisible fixing set n° 1897 with slanting support on aluminium, PVC or timber doors**

- The set can only be used for door pulls type VI.
- Thread-cutting fixing screws in stainless steel. Drill holes with diameter 9.5 mm.
- A set contains 2 screws and the corresponding fixing rings.

