



# K16.10 EDGE DOOR HANDLES

01.03.2018



---

EDGE DOOR HANDLES

---

**CONTENTS**

<b>1. General characteristics.....</b>	<b>K16.10.03</b>
1.1. General	K16.10.03
1.2. Standard Edge door handles	K16.10.03
1.3. Edge Security door handles	K16.10.04
1.4. Screw lengths	K16.10.04
<b>2. Standard Edge door handles .....</b>	<b>K16.10.05</b>
2.1. Door handles	K16.10.05
2.2. Roller shutter handles	K16.10.06
2.3. Fixed door pulls	K16.10.07
2.4. Fixed door handles	K16.10.08
2.5. Long backplates	K16.10.09
2.6. Escutcheon	K16.10.09
2.7. Selection of the square spindle	K16.10.10
<b>3. Edge Security door handles.....</b>	<b>K16.10.11</b>
3.1. Door handles	K16.10.11
3.2. Roller shutter handles	K16.10.12
3.3. Fixed door pulls	K16.10.13
3.4. Long backplates	K16.10.14
3.5. Selection of the square spindle	K16.10.15
<b>4. Profile preparations .....</b>	<b>K16.10.16</b>
4.1. Standard Edge door handles	K16.10.16
4.2. Edge Security door handles	K16.10.16



## 1. General characteristics

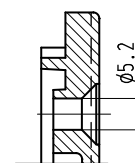
### 1.1. General

- The Edge door handles with modern design create an aesthetic look with minimalistic and timeless design, without sacrificing versatility and functionality.
- This exclusive design has been extended to the range of window handles as well as to the range of door handles and finger pulls for sliding doors. In this way, a uniform look and seamless integration in any architectural style is obtained. For more information about these products we refer to the relevant chapters.
- Due to an integrated spring system, the Edge door handle always returns to its original starting position, even with frequent use.
- The door handle with built-in click system enables rotating over 360° in 4 steps of 90°.
- The door handles are non-handed, except for the fixed door handles and door knobs.
- All door handles for doors (but also for sliding doors and lift-slide doors) are available without cylinder hole.
- The square spindle ( $\sphericalangle$  8 mm) in steel zinc plated must be ordered separately.
- Explanation codes:
  - C = without cylinder hole
  - L = on a long backplate
  - VI = with concealed fixing

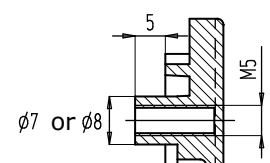


### 1.2. Standard Edge door handles

- The door handles are available with visible or with blind (VI) fixing holes. Due to the aluminium cover the fixing screws are always concealed. The VI door handle has the advantage that both door handles can be screwed to each other.
- Carefully selected, high-quality materials:
  - door handle: aluminium
  - long backplate: zinc alloy
  - cover: aluminium
  - finish:
    - anodised in natural aluminium colour and in various bronze shades
    - polyester powder coated in more than 450 RAL colours
- The Edge door handles have a high corrosion resistance grade 5 (480h) in accordance with the European standard EN1670.
- The standard Edge door handles meet the European standard EN1906:2012 and obtained the following classification code:



Visible fixing



VI fixing

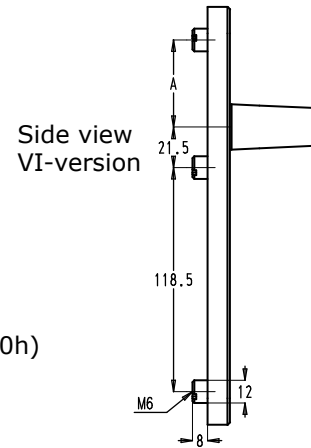
Category of use	Durability	Door mass	Fire resistance	Safety	Corrosion resistance	Security	Type of operation
4	7	-	0	0	5	0	A



## EDGE DOOR HANDLES

### 1.3. Edge Security door handles

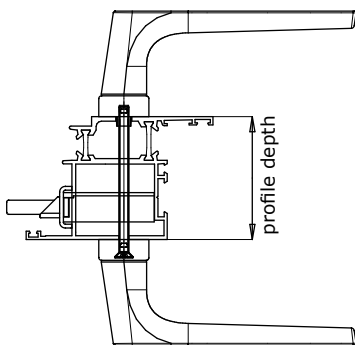
- The Edge Security door handles are high security handles with a long backplate in solid aluminium which makes the cylinder practically unreachable and the long backplate hard to break.
- Two stars are awarded to the Edge Security external door handles by the SKG. These door handles are provided with blind fixing holes (VI version).
- The concealed fixing holes are suitable for screws M6. The fixing holes on the inside are visible.
- Carefully selected, high-quality materials:
  - door handle: aluminium
  - long backplate: aluminium
  - finish:
    - anodised in natural aluminium colour and in various bronze shades
    - polyester powder coated in more than 450 RAL colours
- The Edge Security door handles have a high corrosion resistance grade 5 (480h) in accordance with the European standard EN1670.
- The Edge Security door handles meet the European standard EN1906:2012 and obtained the following classification code:



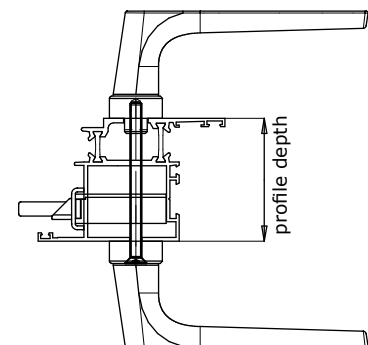
Category of use	Durability	Door mass	Fire resistance	Safety	Corrosion resistance	Security	Type of operation
4	7	-	0	0	5	1	A

### 1.4. Screw lengths

Standard door handles



Security door handles



Screws DIN 965		
Standard handles	Profile depth	Security handles
M5x55	40-45 mm	M6x60
M5x60	45-50 mm	M6x65
M5x65	50-55 mm	M6x70
M5x70	55-60 mm	M6x75
M5x75	60-65 mm	M6x80
M5x80	65-70 mm	M6x85
M5x85	70-75 mm	M6x90
M5x90	75-80 mm	M6x95
M5x95	80-85 mm	M6x100
M5x100	85-90 mm	M6x105
M5x105	90-95 mm	M6x110
M5x110	95-100 mm	M6x115



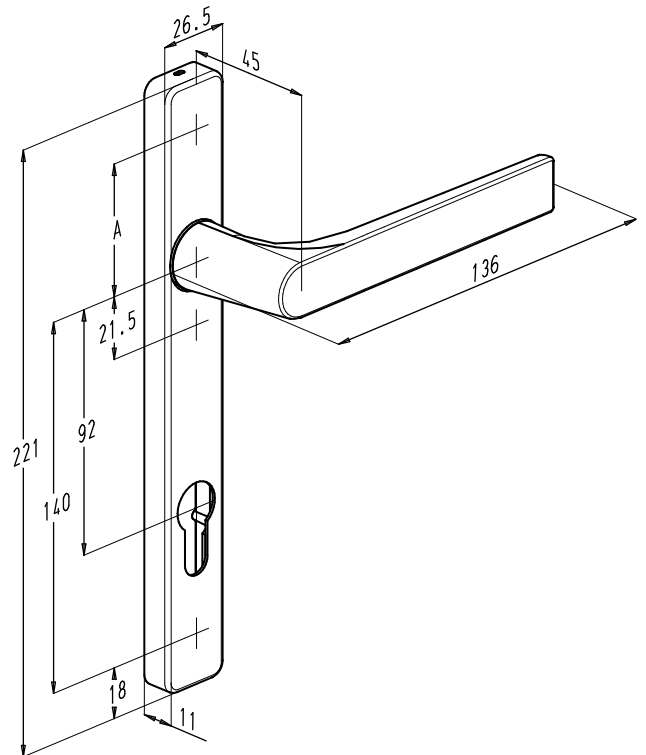
## 2. Standard Edge door handles

### 2.1. Door handles

#### Door handles with long backplate



N° 82600L

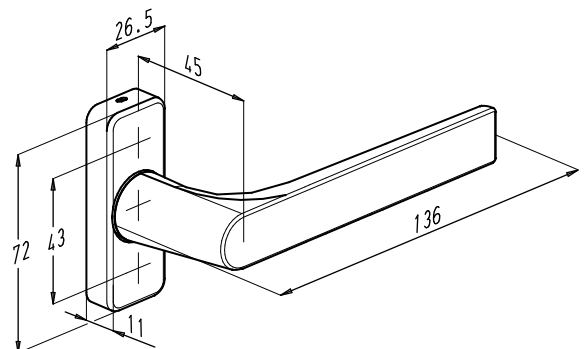


Standard door handles with long backplate		
Article n°	A	Description
82600L	21.5/46	Internal door handle
82600L VI	21.5	External door handle
82610L VI	46	External door handle
82600CL	21.5/46	Internal door handle without cylinder hole
82600CL VI	21.5	External door handle without cylinder hole
82610CL VI	46	External door handle without cylinder hole

#### Door handles with short backplate



N° 82600



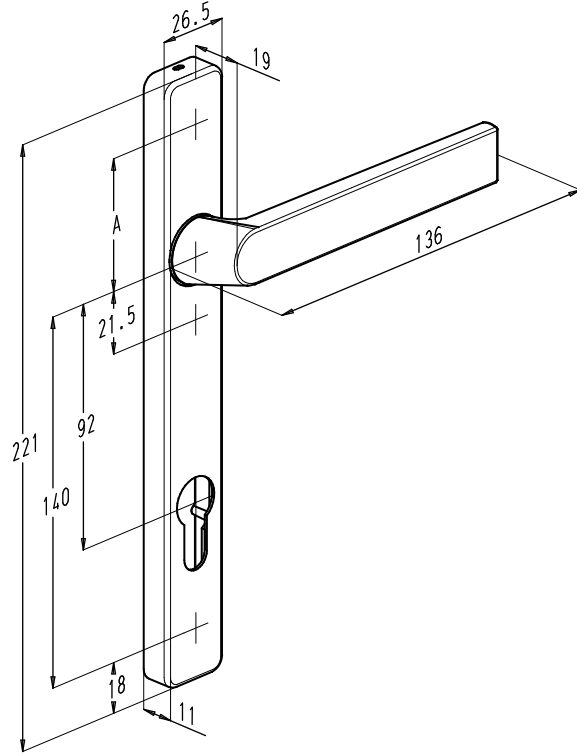
Standard door handles with short backplate	
Article n°	Description
82600	Internal door handle
82600 VI	External door handle



## EDGE DOOR HANDLES

**2.2. Roller shutter handles****Roller shutter handles with long backplate**

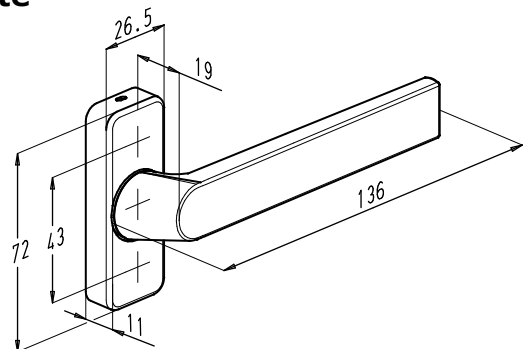
N° 82602L



Roller shutter handles with long backplate		
Article n°	A	Description
82602L	21.5/46	Internal roller shutter handle
82602L VI	21.5	External roller shutter handle
82612L VI	46	External roller shutter handle
82602CL	21.5/46	Internal roller shutter handle without cylinder hole
82602CL VI	21.5	External roller shutter handle without cylinder hole
82612CL VI	46	External roller shutter handle without cylinder hole

**Roller shutter handles with short backplate**

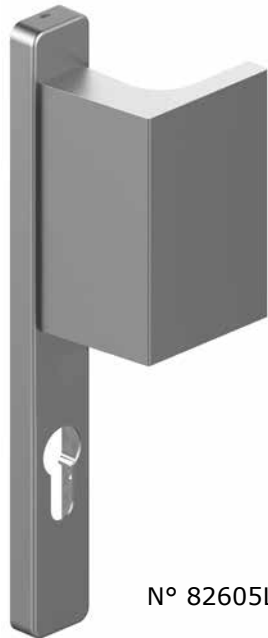
N° 82602



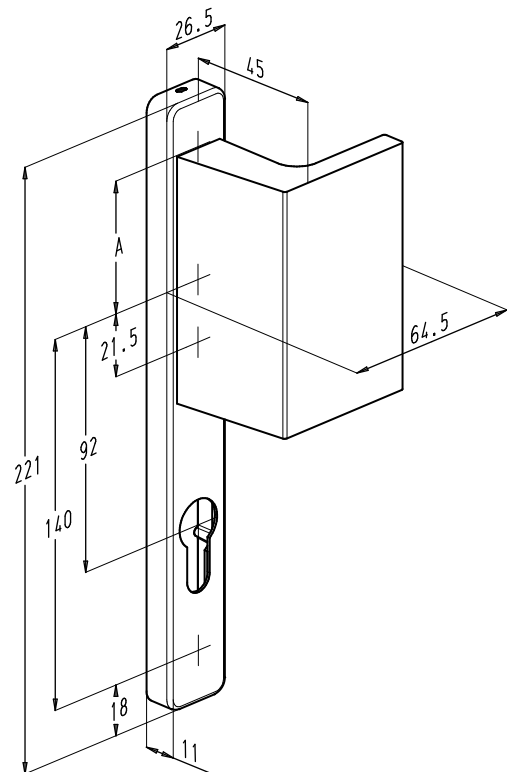
Roller shutter handles with short backplate	
Article n°	Description
82602	Internal roller shutter handle
82602 VI	External roller shutter handle



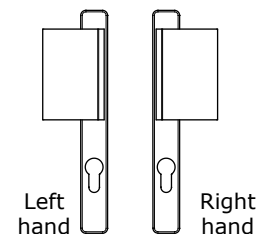
**2.3. Fixed door pulls**



N° 82605L



Fixed door pulls		
Article n°	A	Description
82605L	21.5/46	Fixed internal door pull
82605L VI	21.5	Fixed external door pull
82615L VI	46	Fixed external door pull
82605CL	21.5/46	Fixed internal door pull without cylinder hole
82605CL VI	21.5	Fixed external door pull without cylinder hole
82615CL VI	46	Fixed external door pull without cylinder hole



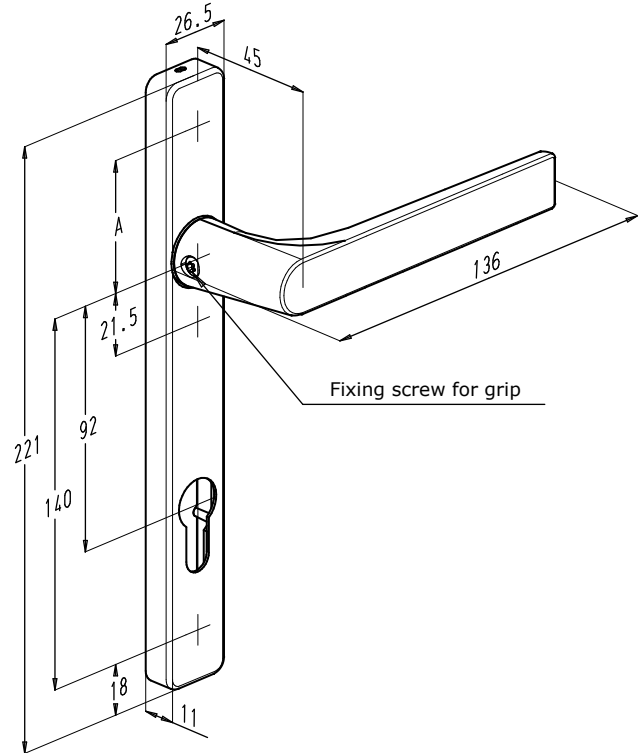
- When ordering please indicate quantity of left hand and right hand door pulls.
- The handing of the door pull can be reversed:
  - untighten the socket screws (SW3) at the rear side of the grip
  - take off the grip and rotate it 180°
  - tighten the socket screws again



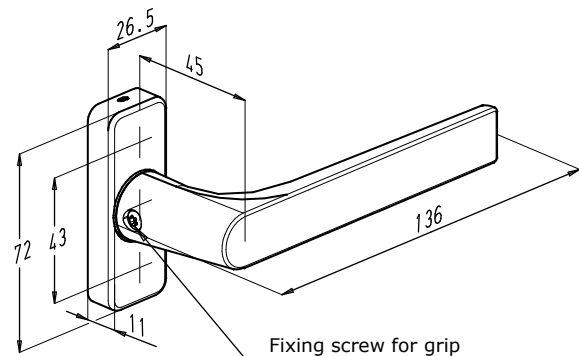
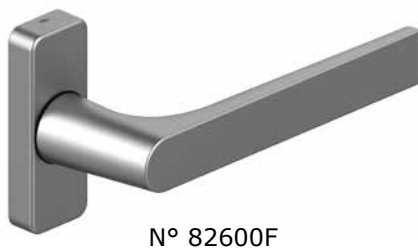
## EDGE DOOR HANDLES

**2.4. Fixed door handles**

- The fixed door handles are non-handed as the handing can be changed by unscrewing the fixing screw and rotating the grip 180°.

**Door handles with long backplate**

Fixed door handles with long backplate		
Article n°	A	Description
82600FL	21.5/46	Fixed internal door handle
82600FL VI	21.5	Fixed external door handle
82610FL VI	46	Fixed external door handle
82600FCL	21.5/46	Fixed internal door handle without cylinder hole
82600FCL VI	21.5	Fixed external door handle without cylinder hole
82610FCL VI	46	Fixed external door handle without cylinder hole

**Door handles with short backplate**

Fixed door handles with short backplate	
Article n°	Description
82600F	Fixed internal door handle
82600F VI	Fixed external door handle

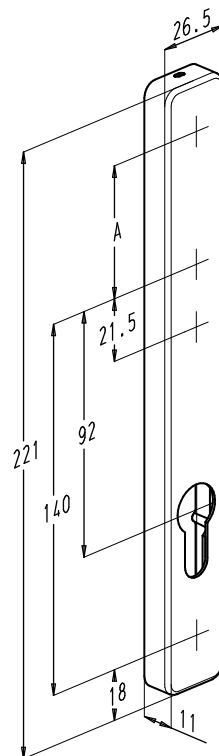




### 2.5. Long backplates



N° 82608L

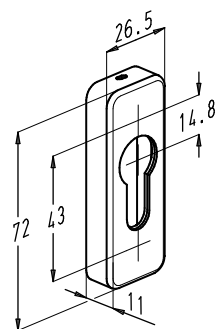


Long backplates		
Article n°	A	Description
82608L	21.5/46	Internal long backplate
82608L VI	21.5	External long backplate
82618L VI	46	External long backplate
82608CL	21.5/46	Internal long backplate without cylinder hole
82608CL VI	21.5	External long backplate without cylinder hole
82618CL VI	46	External long backplate without cylinder hole

### 2.6. Escutcheon



N° 82608



Escutcheon	
Article n°	Description
82608	Escutcheon
82608C	Escutcheon without cylinder hole

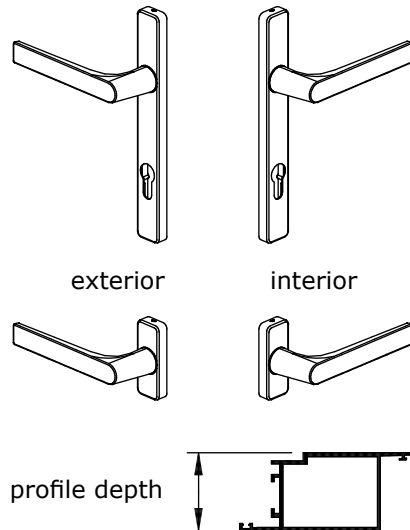


## EDGE DOOR HANDLES

**2.7. Selection of the square spindle****Standard door handle - standard door handle**

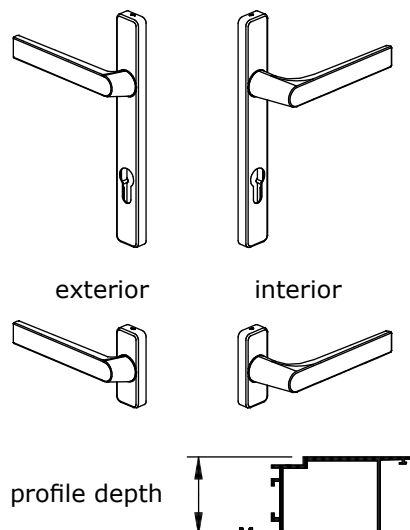
- Interior: standard door handle
- Exterior: standard door handle

Profile depth	Spindle length	Article n°
39 to 44 mm	85	V18-85
44 to 49 mm	90	V18-90
49 to 54 mm	95	V18-95
54 to 59 mm	100	V18-100
59 to 64 mm	105	V18-105
64 to 69 mm	110	V18-110
69 to 74 mm	115	V18-115
74 to 79 mm	120	V18-120
79 to 84 mm	125	V18-125
84 to 89 mm	130	V18-130
89 to 94 mm	135	V18-135
94 to 99 mm	140	V18-140
99 to 104 mm	145	V18-145

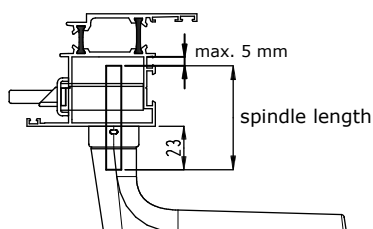
**Standard door handle - roller shutter handle**

- Interior: standard door handle
- Exterior: roller shutter handle

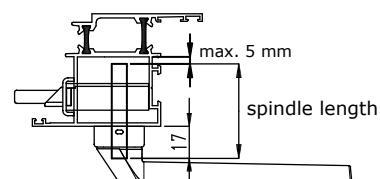
Profile depth	Spindle length	Article n°
37 to 42 mm	80	V18-80
42 to 47 mm	85	V18-85
47 to 52 mm	90	V18-90
52 to 57 mm	95	V18-95
57 to 62 mm	100	V18-100
62 to 67 mm	105	V18-105
67 to 72 mm	110	V18-110
72 to 77 mm	115	V18-115
77 to 82 mm	120	V18-120
82 to 87 mm	125	V18-125
87 to 92 mm	130	V18-130
92 to 97 mm	135	V18-135
97 to 102 mm	140	V18-140

**Single internal door handle**

standard door handle



roller shutter handle

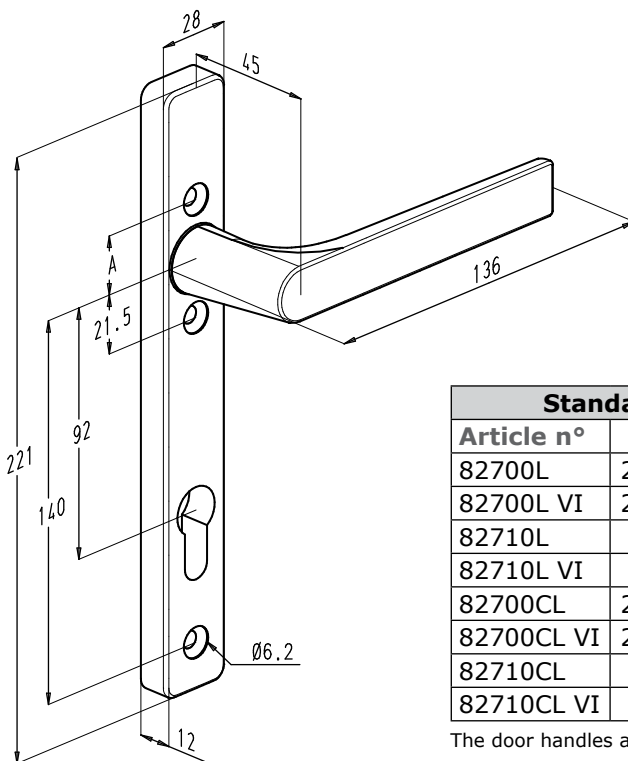
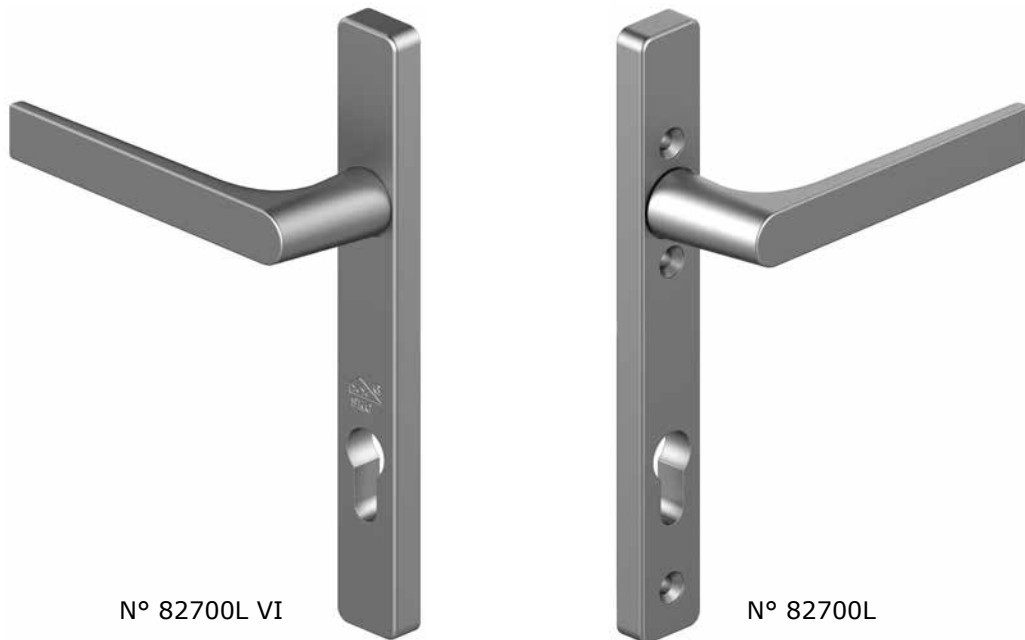


- The spindle length is profile dependent.
- The square spindle has a maximum clearance of 5 mm.



### 3. Edge Security door handles

#### 3.1. Door handles



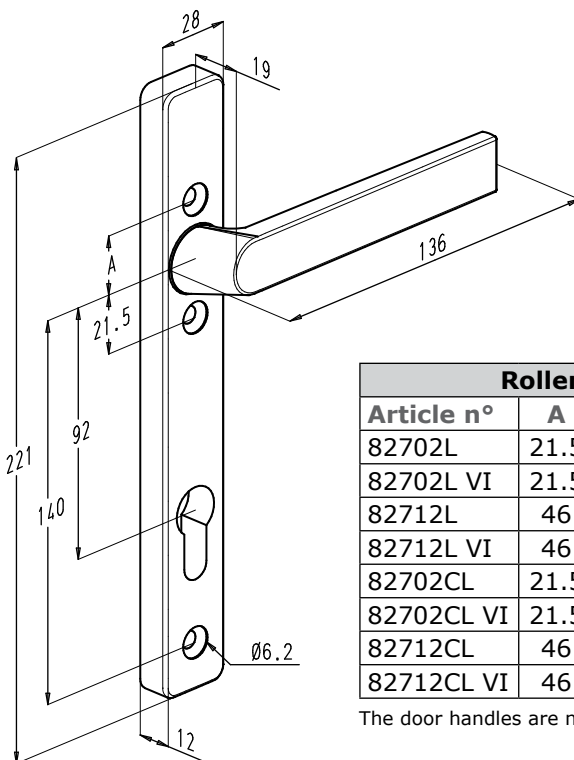
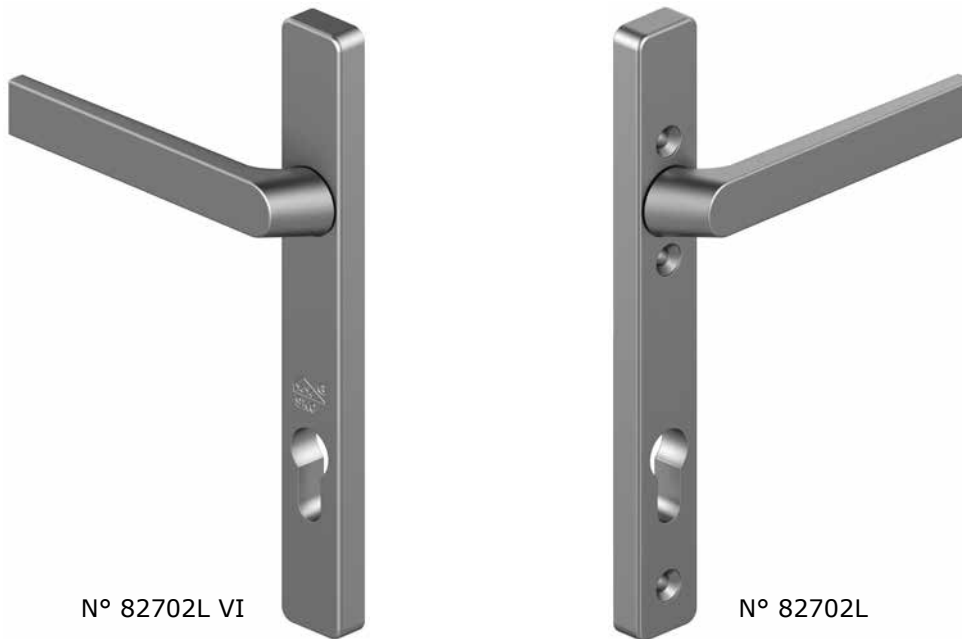
Standard door handles with long backplate		
Article n°	A	Description
82700L	21.5	Internal door handle
82700L VI	21.5	External door handle
82710L	46	Internal door handle
82710L VI	46	External door handle
82700CL	21.5	Internal door handle without cylinder hole
82700CL VI	21.5	External door handle without cylinder hole
82710CL	46	Internal door handle without cylinder hole
82710CL VI	46	External door handle without cylinder hole

The door handles are non-handed.



EDGE DOOR HANDLES

3.2. Roller shutter handles

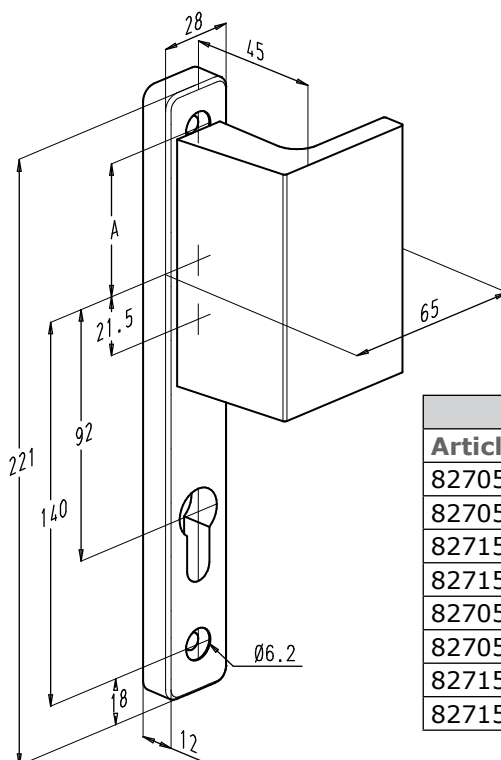
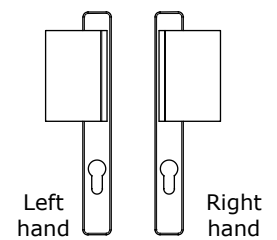


Roller shutter handles with long backplate		
Article n°	A	Description
82702L	21.5	Internal roller shutter handle
82702L VI	21.5	External roller shutter handle
82712L	46	Internal roller shutter handle
82712L VI	46	External roller shutter handle
82702CL	21.5	Internal roller shutter handle without cylinder hole
82702CL VI	21.5	External roller shutter handle without cylinder hole
82712CL	46	Internal roller shutter handle without cylinder hole
82712CL VI	46	External roller shutter handle without cylinder hole

The door handles are non-handed.



**3.3. Fixed door pulls**



- When ordering please indicate quantity of left hand and right hand door pulls.
- The handing of the door pull can be reversed:
  - untighten the socket screws (SW3) at the rear side of the grip
  - take off the grip and rotate it 180°
  - tighten the socket screws again

Fixed door pulls		
Article n°	A	Description
82705L	21.5	Fixed internal door pull
82705L VI	21.5	Fixed external door pull
82715L	46	Fixed external door pull
82715L VI	46	Fixed external door pull
82705CL	21.5	Fixed internal door pull without cylinder hole
82705CL VI	21.5	Fixed external door pull without cylinder hole
82715CL	46	Fixed internal door pull without cylinder hole
82715CL VI	46	Fixed external door pull without cylinder hole



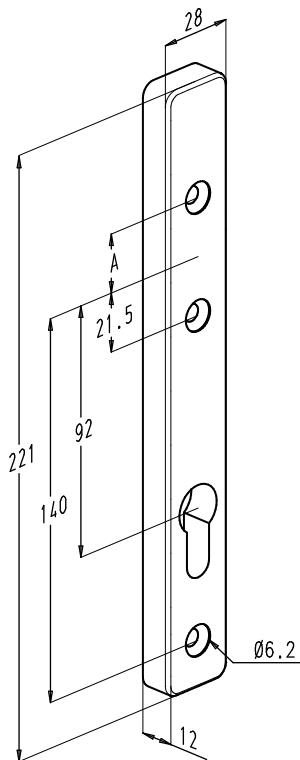
EDGE DOOR HANDLES

3.4. Long backplates

N° 82708L VI



N° 82708L



Long backplates		
Article n°	A	Description
82708L	21.5	Internal long backplate
82708L VI	21.5	External long backplate
82718L	46	Internal long backplate
82718L VI	46	External long backplate
82708CL	21.5	Internal long backplate without cylinder hole
82708CL VI	21.5	External long backplate without cylinder hole
82718CL	46	Internal long backplate without cylinder hole
82718CL VI	46	External long backplate without cylinder hole

The long backplates are non-handed.

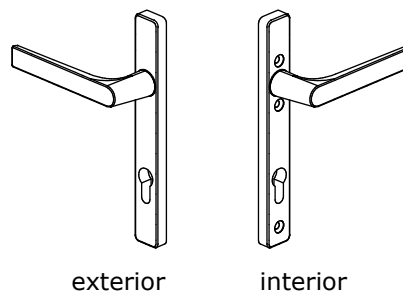


### 3.5. Selection of the square spindle

#### Standard door handle - standard door handle

- Interior: standard door handle
- Exterior: standard door handle

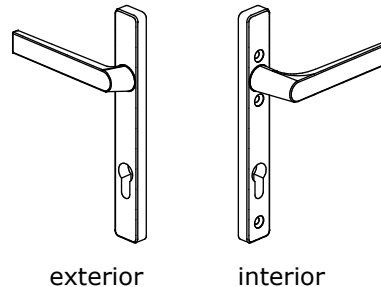
Profile depth	Spindle length	Article n°
39 to 44 mm	85	V18-85
44 to 49 mm	90	V18-90
49 to 54 mm	95	V18-95
54 to 59 mm	100	V18-100
59 to 64 mm	105	V18-105
64 to 69 mm	110	V18-110
69 to 74 mm	115	V18-115
74 to 79 mm	120	V18-120
79 to 84 mm	125	V18-125
84 to 89 mm	130	V18-130
89 to 94 mm	135	V18-135
94 to 99 mm	140	V18-140
99 to 103 mm	145	V18-145



#### Standard door handle - roller shutter handle

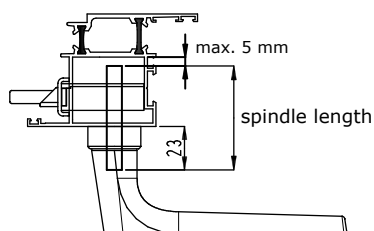
- Interior: standard door handle
- Exterior: roller shutter handle

Profile depth	Spindle length	Article n°
37 to 42 mm	80	V18-80
42 to 47 mm	85	V18-85
47 to 52 mm	90	V18-90
52 to 57 mm	95	V18-95
57 to 62 mm	100	V18-100
62 to 67 mm	105	V18-105
67 to 72 mm	110	V18-110
72 to 77 mm	115	V18-115
77 to 82 mm	120	V18-120
82 to 87 mm	125	V18-125
87 to 92 mm	130	V18-130
92 to 97 mm	135	V18-135
97 to 101 mm	140	V18-140

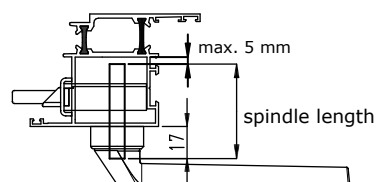


#### Single internal door handle

standard door handle



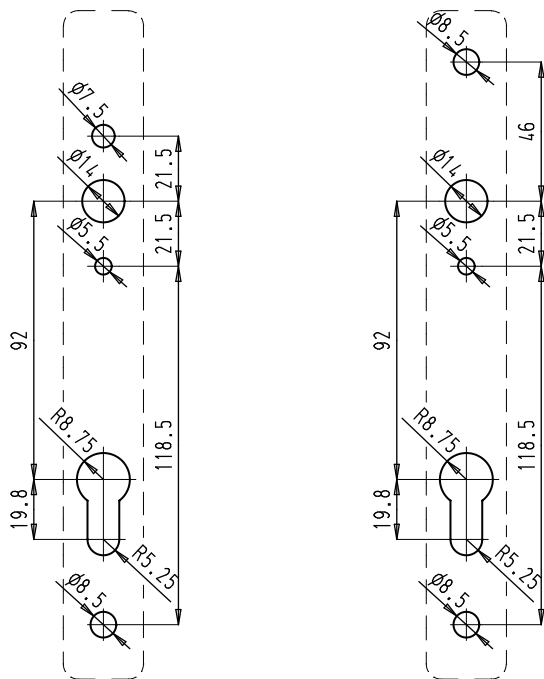
roller shutter handle



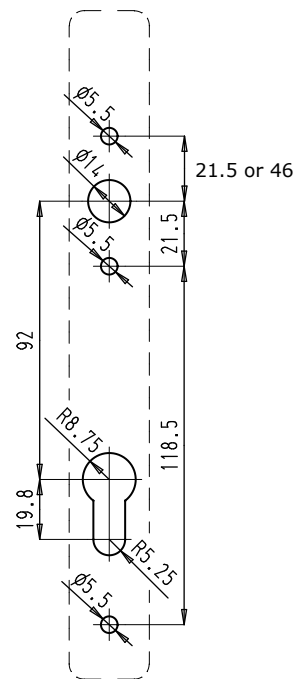
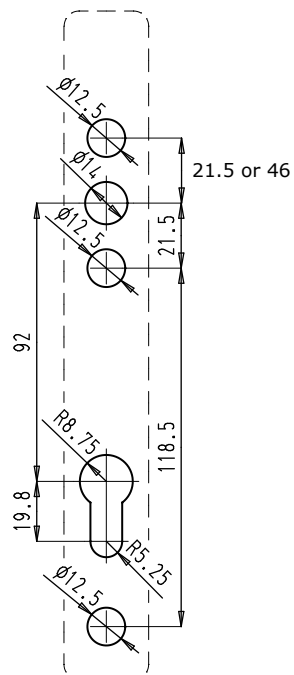
- The spindle length is profile dependent.
- The square spindle has a maximum clearance of 5 mm.



## EDGE DOOR HANDLES

**4. Profile preparations****4.1. Standard Edge door handles****External door handles (VI)**

**Attention!** For the VI version:  
the top and bottom fixing hole  
have a different diameter.

**Internal door handles****4.2. Edge Security door handles****External door handles (VI)****Internal door handles**