



K15.12 ROLLENBAND

01.06.2019



ROLLENBAND

CONTENTS

1. General characteristics..... K15.12.03

2. Application range..... K15.12.03

3. Dimensions..... K15.12.05

4. Fixing set..... K15.12.05

5. Sleeve and end cap set n° 83000-2 K15.12.06

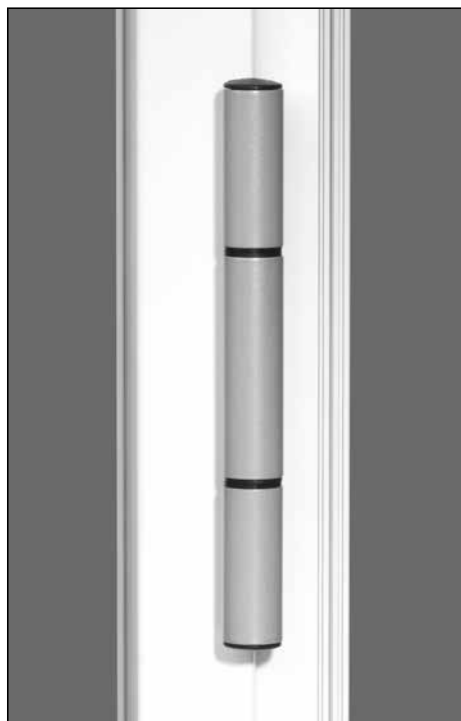
6. Preparations..... K15.12.07

7. Assembly K15.12.08

8. Adjustments K15.12.09



1. General characteristics

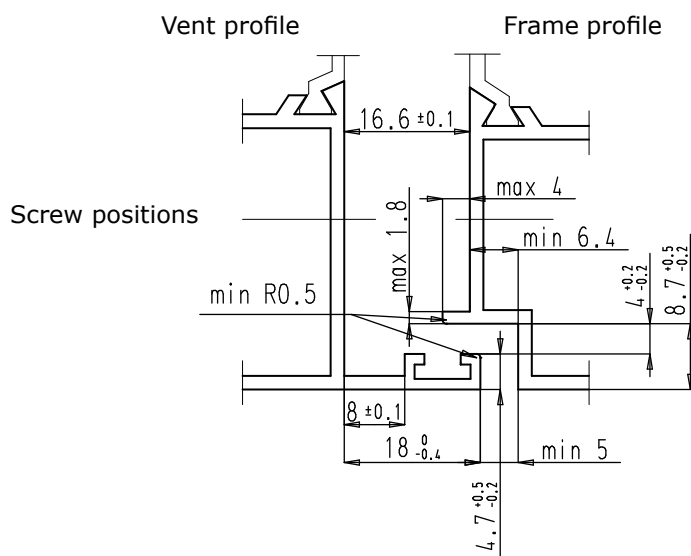


- Three-part screwable door hinge for open in doors with flush profiles. These hinges are profile dependent and will be developed on request.
- Vent weights up to 180 kg (with 4 hinges and profile dependent).
- Same hinge for left hand and right hand doors.
- Simple and efficient installation.
- Adjustable in two directions without disassembly of the vent but with unscrewing the fixing screws.
- The main advantage of this adjustment: there's no offset between the frame part and the vent part during adjustment. In other words, the cylindrical shape of the hinge is preserved.
- Material: entirely made of non-corroding materials.
- Maintenance-free with high quality synthetic bushes.
- Finish: available anodised, stainless steel look and polyester powder coated in more than 450 RAL colours.
- The hinges are profile-dependent and are fabricated on request.

2. Application range

Profiles

- The profiles must have the following dimensions to apply the hinge.

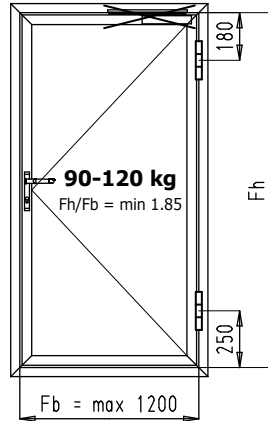
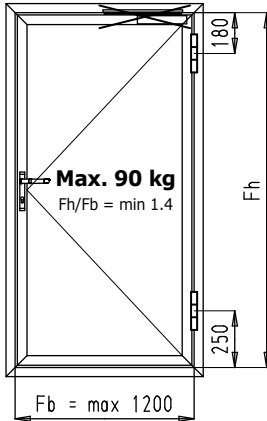




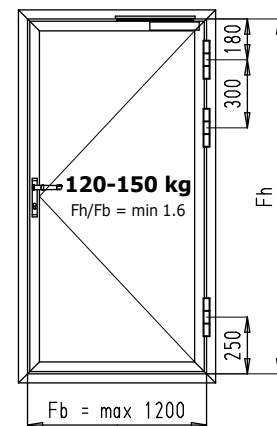
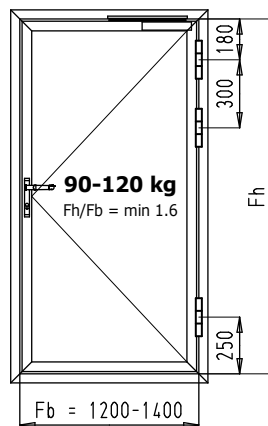
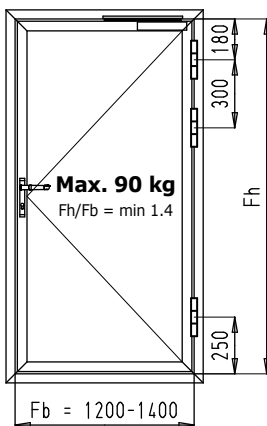
ROLLENBAND

Application range

- Normal use, without door closer

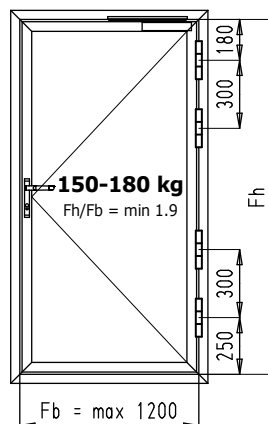
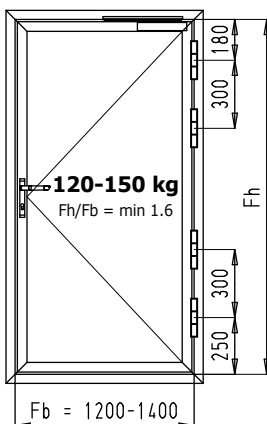


- Heavy use and/or with door closer



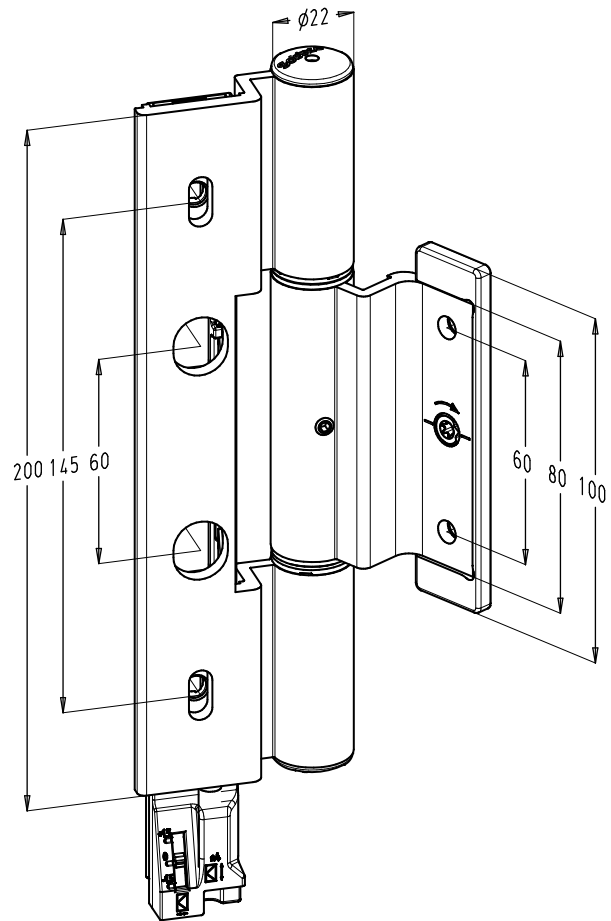
- Extreme applications and/or with door closer

- Only on request.
- Only after study of the profiles.



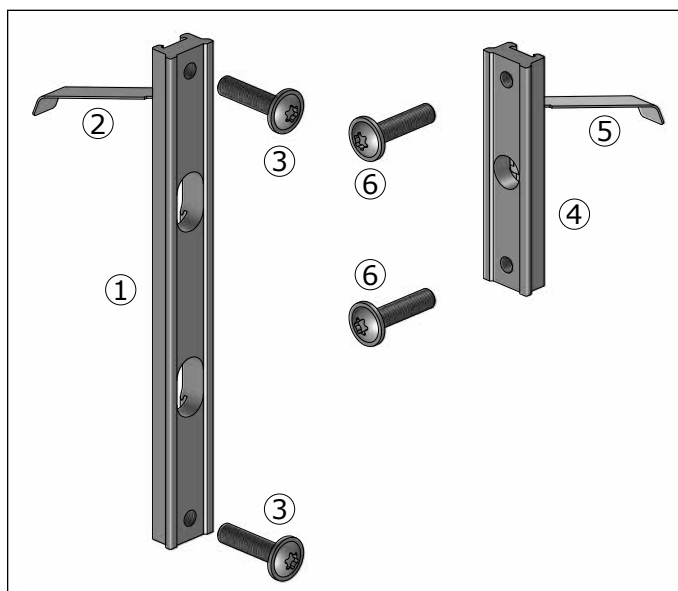


3. Dimensions



4. Fixing set

- The hinges are fixed by clamping plates in the frame profile as well as the vent profile.
- The fixing set contains the clamping plates, pre-mounted on leaf springs and the fixing screws.
- Clamping plates as well as fixing screws are profile dependent.
- Below you can see an example of a fixing set.



1. Clamping plate frame part
2. Leaf spring frame part
3. Screws frame part
4. Clamping plate vent part
5. Leaf spring vent part
6. Screws vent part



ROLLENBAND

5. Sleeve and end cap set n° 83000-2



- The Euro hinge 3D can be provided with a set of sleeves in stainless steel and end caps in black synthetic material to give the hinge a stainless steel look. The set consists of:
 - 1 long sleeve (vent part)
 - 2 short sleeves (frame part)
 - 2 end caps
- Procedure:
 - Remove the existing end caps.
 - Slide the sleeves over the hinge parts.
 - Mount the new end caps.
- Advantages:
 - The stainless steel look can be provided afterwards.
 - The door and the hinges do not need to be disassembled.



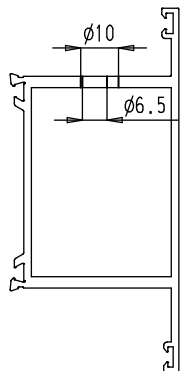
BEFORE



AFTER

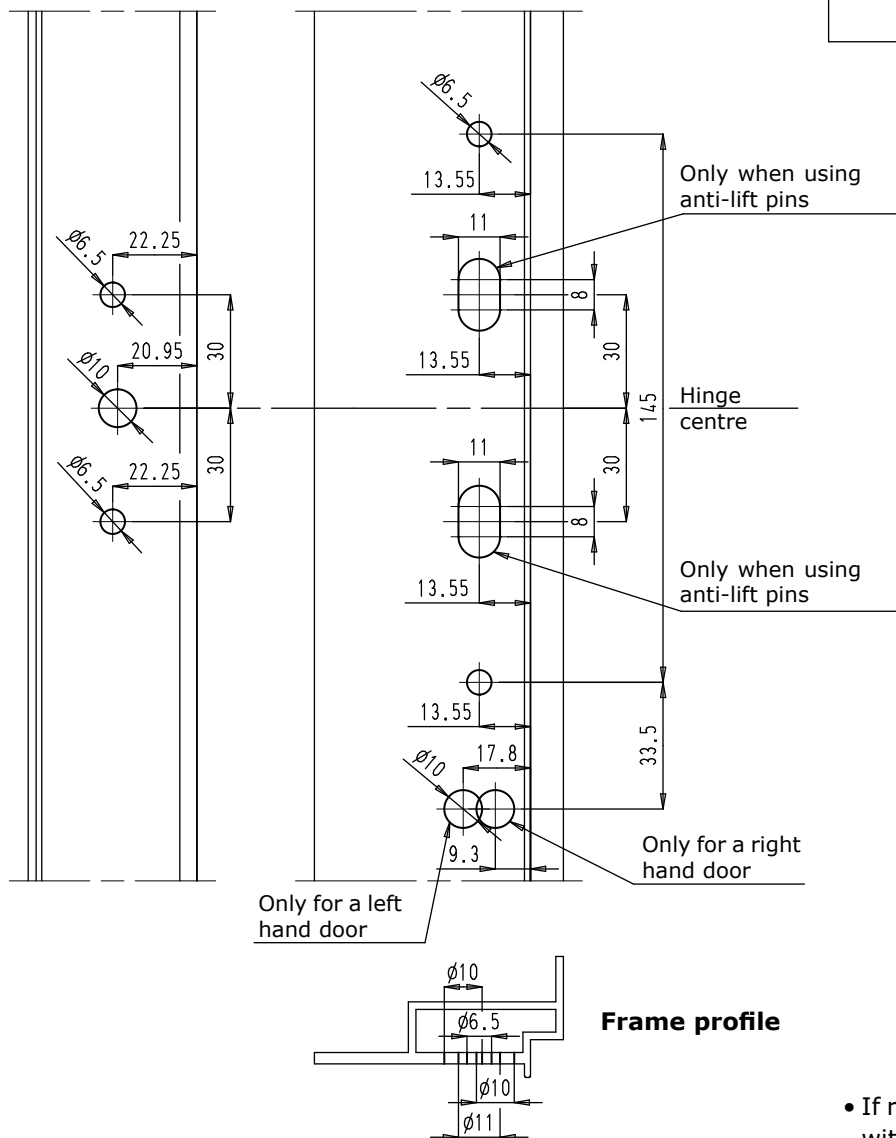
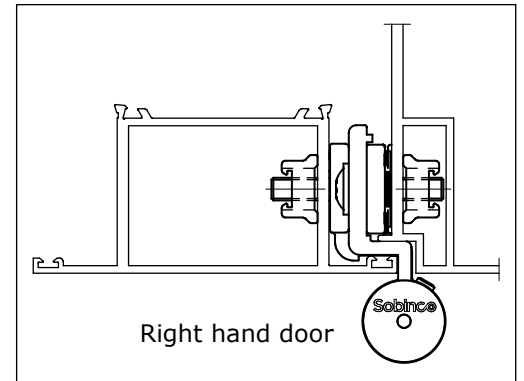


6. Preparations

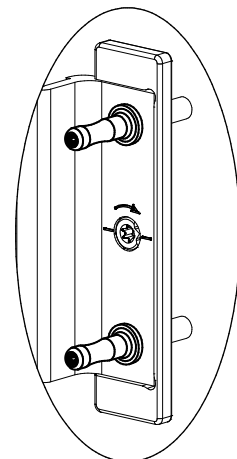


Vent profile

Installation example



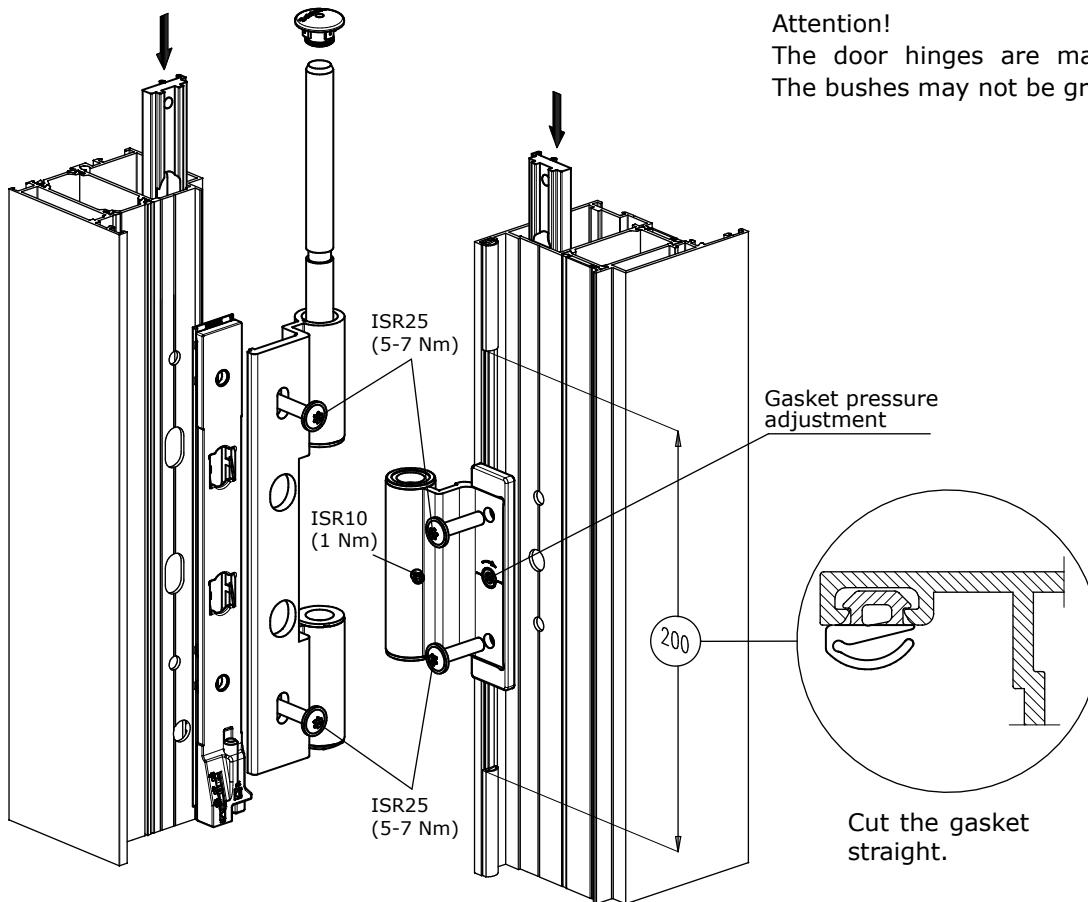
Anti-lift pins



- If required the hinges can be provided with 2 security pins which engage into the frame to provide additional security against forced entry.
- The security pins in stainless steel replace the fixing screws on the vent profile.



ROLLENBAND

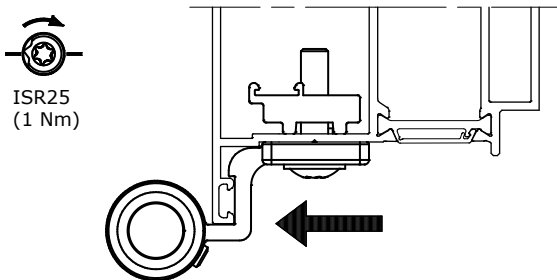
7. Assembly

Attention!

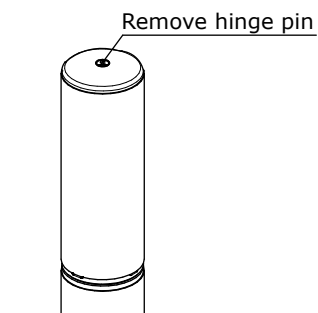
The door hinges are maintenance-free.
The bushes may not be greased!

Gasket pressure adjustment

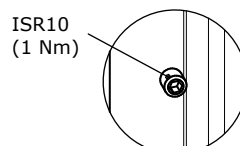
- Before fixing the hinge with the fixing screws, the eccentric bolt must be adjusted so that the vent part is pushed against the profile leg.

**Disassembly**

- Loosen the hexagon socket screw ISR10 (hinge pin security) and push the hinge pin through the end cap holes with a pin tool of $\varnothing 3$ mm.

**Hinge pin security!**

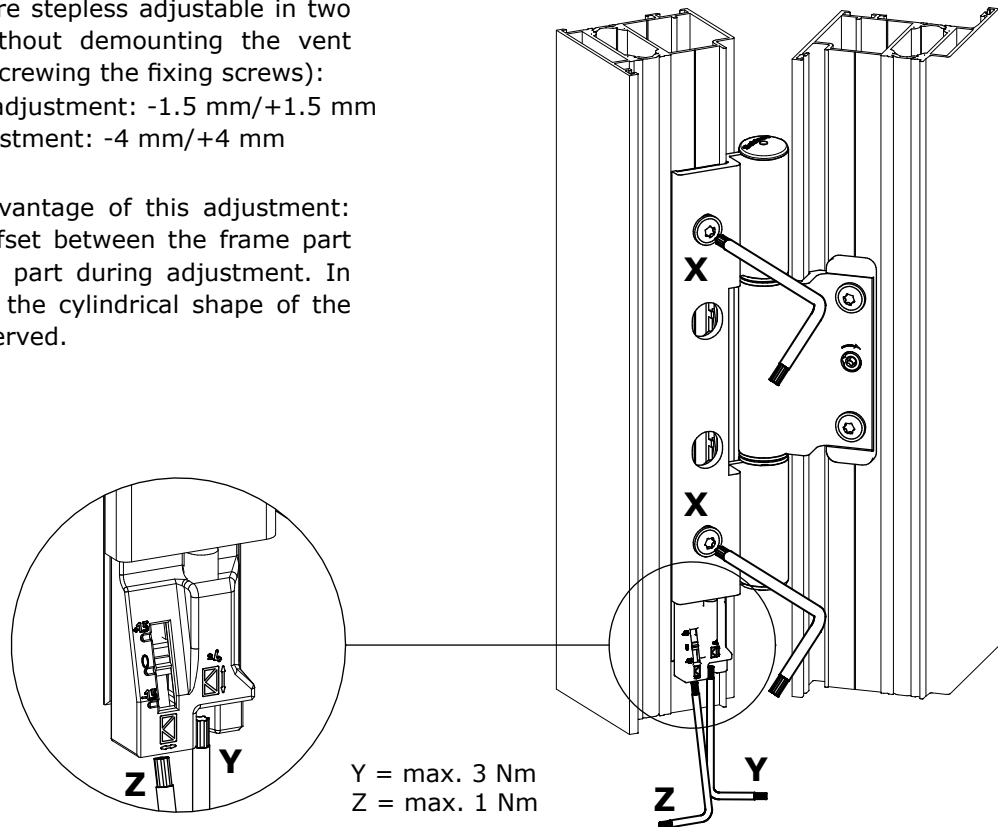
- After assembly of the hinge pin, this screw must be fitted to secure the hinge pin.





8. Adjustments

- The hinges are stepless adjustable in two directions without demounting the vent (but with unscrewing the fixing screws):
 - Horizontal adjustment: -1.5 mm/+1.5 mm
 - Height adjustment: -4 mm/+4 mm
- The main advantage of this adjustment: there's no offset between the frame part and the vent part during adjustment. In other words, the cylindrical shape of the hinge is preserved.



Procedure:

- Support the door leaf by using a wedge to unload the hinges.
- Attention : first always loosen the fixing screws before adjustment!
- Vertical adjustment (± 4 mm):
 - loosen fixing screws 'X' (ISR25) a half turn
 - adjust screw 'Y' (ISR15)
- Horizontal adjustment (-1.5 mm):
 - loosen fixing screws 'X' (ISR25) one turn
 - adjust screw 'Z' (ISR15)
- Horizontal adjustment (+1.5 mm):
 - loosen fixing screws 'X' (ISR25) three turns
 - adjust screw 'Z' (ISR15)
- Fix the fixing screws 'X' (ISR25) (5-7 Nm).

