



K13.12
FACE FIXED
PANIC EXIT DEVICE

01.12.2018



FACE FIXED PANIC EXIT DEVICE

CONTENTS

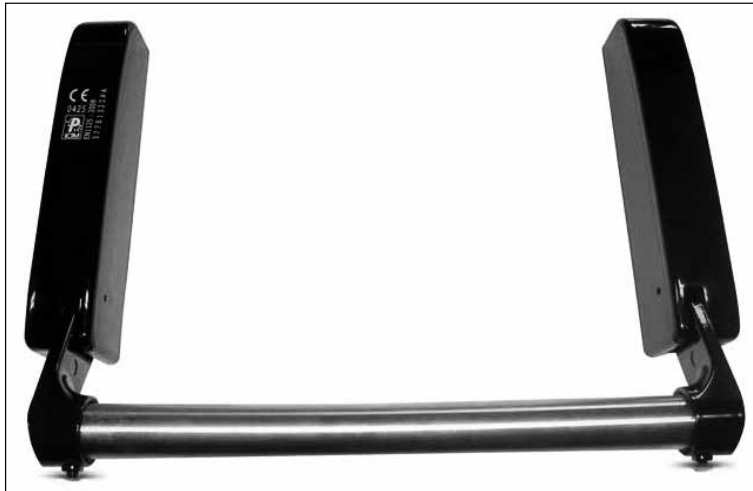
1. Base set n° 5701-1	K13.12.03
2. Additional locking sets n° 5701-3 and n° 5701-3B	K13.12.04
3. Door handles	K13.12.05
3.1. Door handle n° 5701-20	K13.12.05
3.2. Turn knob n° 5701-21	K13.12.05
3.3. Door handle n° 82000-26	K13.12.05
3.4. Square spindles	K13.12.06
4. Accessories	K13.12.07
4.1. Push bar n° 5701-....	K13.12.07
4.2. Cylinders	K13.12.07
4.3. Keeps	K13.12.08
4.4. Additional connection rod n° 5701-4	K13.12.09
4.5. Set cover sections n° 5701-7 for additional set	K13.12.10
5. Combinations	K13.12.11
6. Installation instructions	K13.12.12
6.1. Assembly	K13.12.12
6.2. Assembling order	K13.12.13
6.3. Profile preparations	K13.12.14
6.4. Detail bottom keep	K13.12.16
6.5. General notes and instructions	K13.12.16



FACE FIXED PANIC EXIT DEVICE

1. Base set n° 5701-1

General characteristics

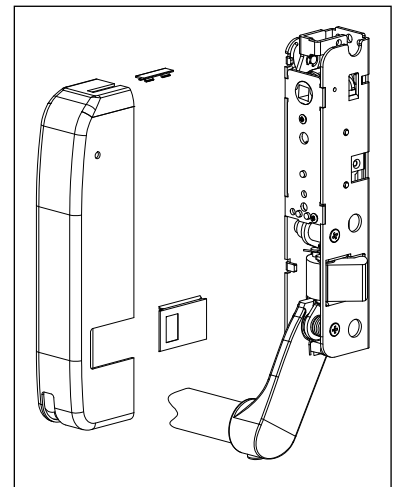


- Base set for profile cylinder, steel zinc plated, to be mounted on the inside of the door.
- The **panic exit device is CE marked** in accordance with the European standard EN 1125:2008. Code 377B1322AA.
- Covers steel coated.
- The base set is available in 3 colours: white, grey or black coated, to specify when ordering. Other RAL colours on request.

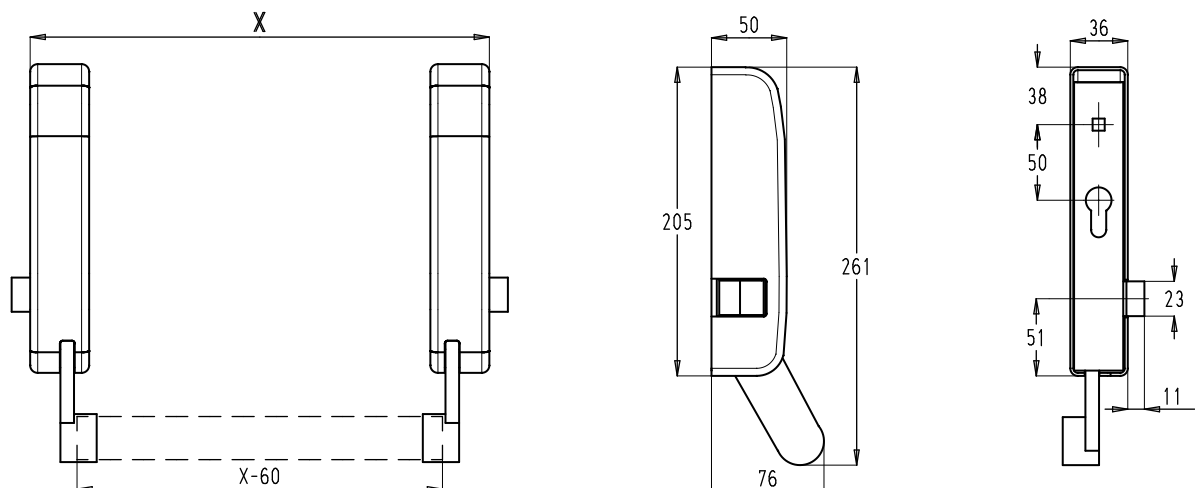
- Latch, steel nickel plated. The latch at the hinge side of the door is pushed inside and covered when mounting the set. Therefore the set can be used for left hand as well as for right hand doors. See drawing below.

Operating devices

- The lock can be operated on the outside by a door handle: see page K13.12.05.
- Note: when operating the panic exit device with locked door, the door will still be locked after closing.
- The base set cannot be used with cylinder on the inside.
- Operation on the outside by a door handle with or without half cylinder.



Dimensions

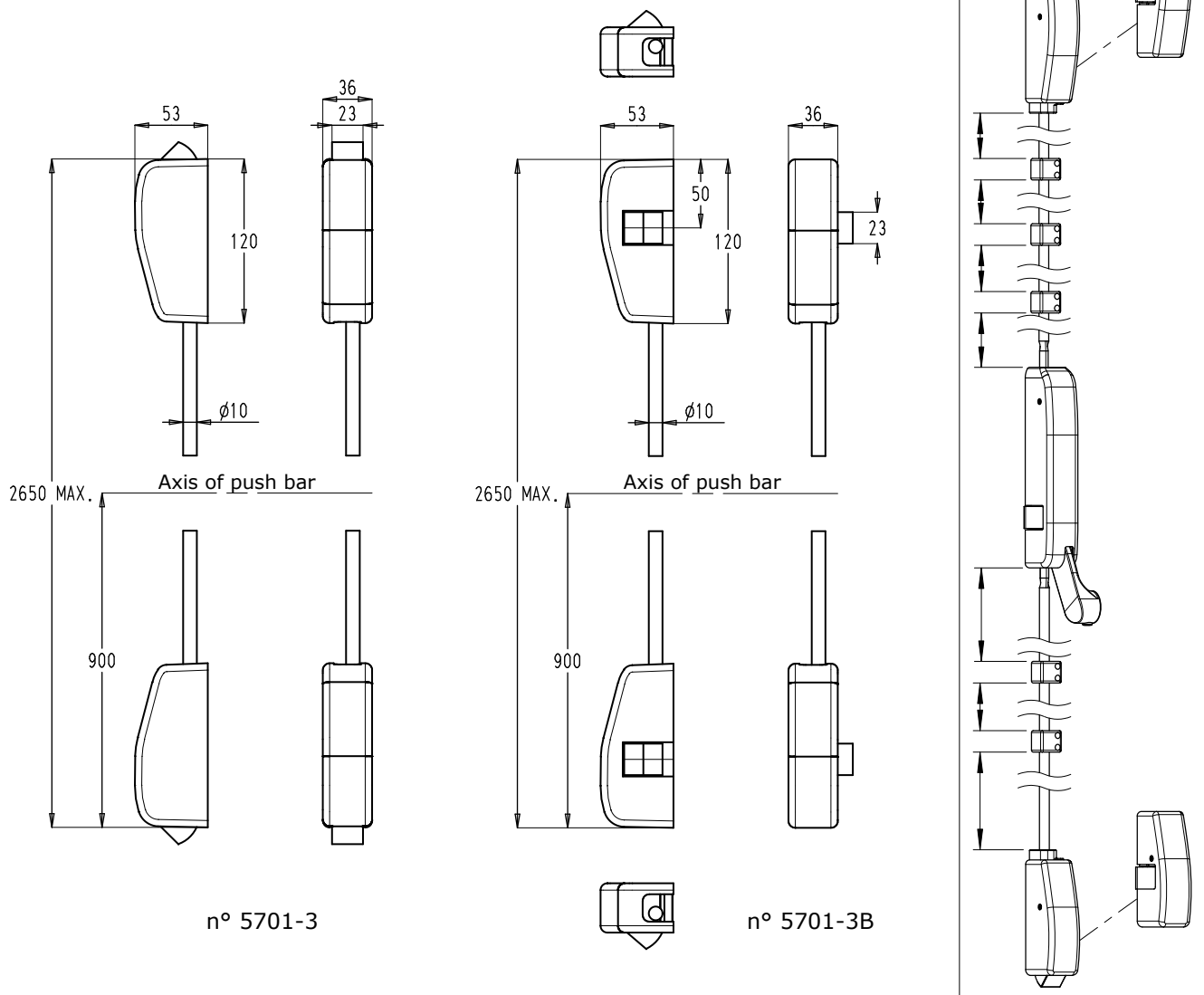




FACE FIXED PANIC EXIT DEVICE

2. Additional locking sets n° 5701-3 and n° 5701-3B

- Vertical rods with latch bolts for additional top and bottom locking points.
 - N° 5701-3: with top and bottom latch bolts.
 - N° 5701-3B: with lateral latch bolts.
- The set contains:
 - 1x top locking device
 - 1x bottom locking device
 - 2x connection rod
 - 2x keep
 - 5x guiding piece
 - screws and accessories
- Rods and covers steel coated. Latches steel nickel plated.
- The set is available in 3 colours: white, grey or black coated, to specify when ordering. Other RAL colours on request.



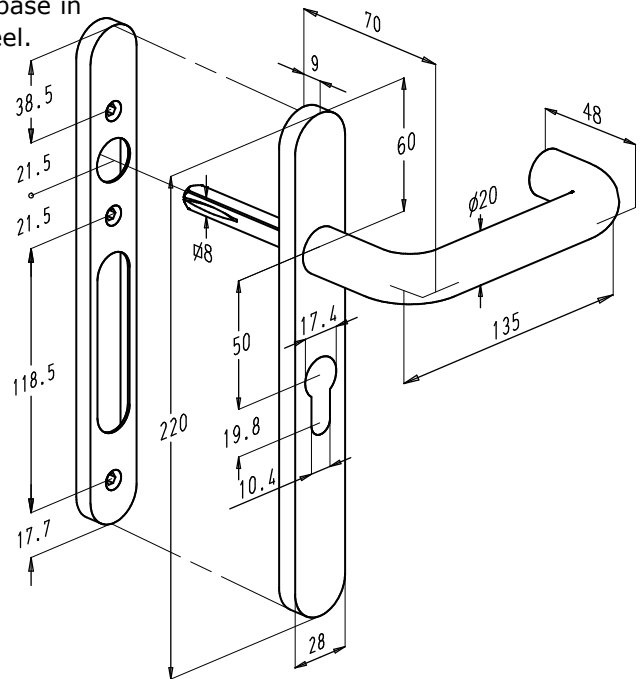
- Guiding pieces:
The guiding pieces are mounted with a maximum spacing of 300 mm. See drawing on the right hand side.



3. Door handles

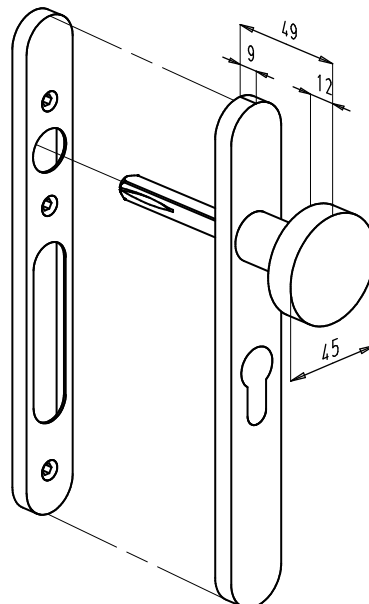
3.1. Door handle n° 5701-20

- Handle with long backplate to be mounted on the outside of the door.
- Finish:
 - Door handle n° 5701-20: base in zinc alloy, cover plate and grip in aluminium, anodised or polyester powder coated in more than 450 RAL colours.
 - Door handle n° 5701-20 (in stainless steel): base in zinc alloy, cover plate and grip in stainless steel.



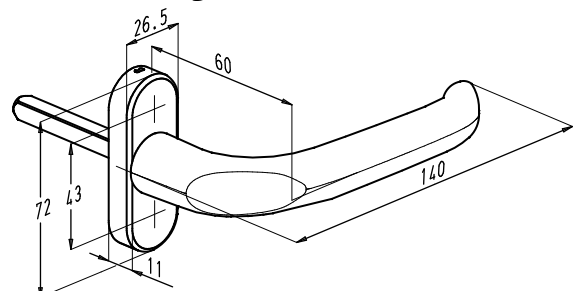
3.2. Turn knob n° 5701-21

- Turn knob with long backplate on the outside.
- Finish: similar to door handle n° 5701-20.



3.3. Door handle n° 82000

- Door handle with spring on short backplate on the outside.
- Due to the aluminium cover the fixing screws are always concealed.
- Finish: polyester powder coated in more than 450 RAL colours.
- The square spindle of 8 mm, steel zinc plated must be ordered separately.



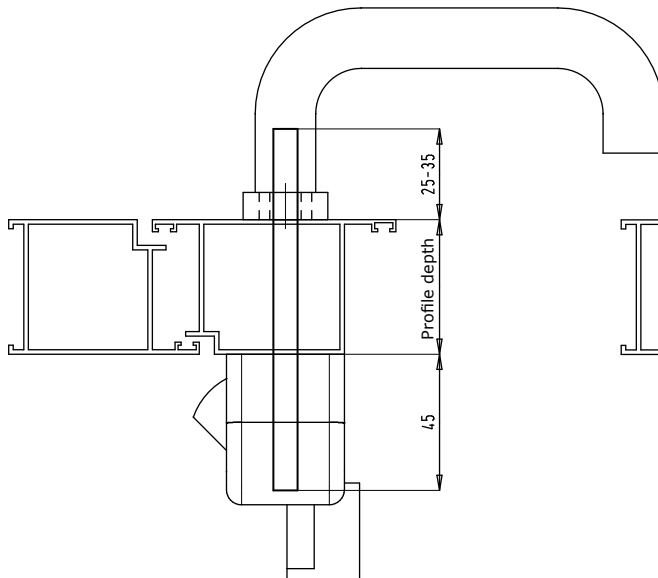


FACE FIXED PANIC EXIT DEVICE

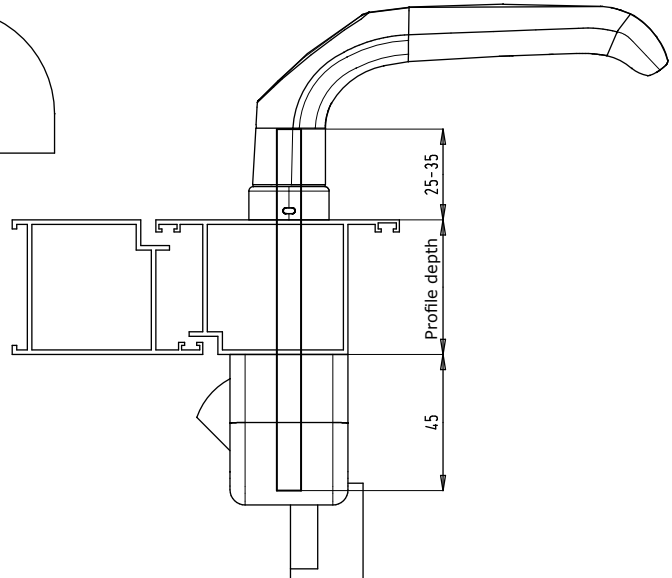
3.4. Square spindles

- The square spindles of 8 mm must be ordered separately.

Door handle n° 5701-20
Turn knob n° 5701-21



Door handle n° 82000



Profile depth	Spindle length	Order code
35 to 45 mm	115	V48-115
45 to 55 mm	125	V48-125
55 to 65 mm	135	V48-135
60 to 70 mm	140	V48-140
70 to 80 mm	150	V48-150
80 to 90 mm	160	V48-160
90 to 100 mm	170	V48-170

Profile depth	Spindle length	Order code
35 to 45 mm	115	V18-115
45 to 55 mm	125	V18-125
55 to 65 mm	135	V18-135
65 to 75 mm	145	V18-145
75 to 85 mm	155	V18-155
85 to 95 mm	165	V18-165
90 to 100 mm	170	V18-170

- Notes:

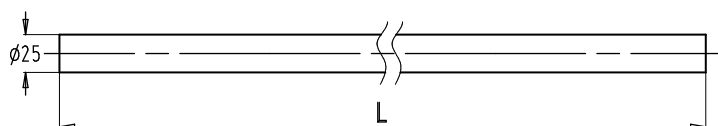
- The square spindles of handles 5701-.. are provided with a slot and are fixed by a grub screw in the slotted part of the spindle.
- All square spindles are also available in large scalement package (G) per 50 pieces.
Ordering example: GV48-115.



4. Accessories

4.1. Push bar n° 5701-....

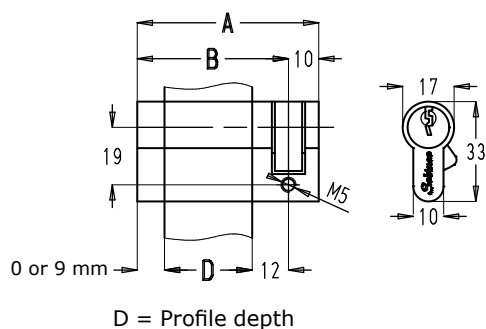
- Available in different lengths.
- Types:
 - Steel, white or black coated, to specify when ordering. Other RAL colours on request.
 - Aluminium, grey anodised.
 - Stainless steel. When ordering please add the characters 'INOX' to the order code.



Order code	Length L (mm)
5701-1000	1000
5701-1200	1200
5701-1500	1500

4.2. Cylinders

- Half cylinder n° 880-10-.. for control from the outside.



With door handle n° 5701-..			
D (mm)	A (mm)	B (mm)	Order code
45-50	80	70	880-10-70
50-55	85	75	880-10-75
55-60	90	80	880-10-80
60-65	95	85	880-10-85
65-70	100	90	880-10-90
70-75	105	95	880-10-95
75-80	110	100	880-10-100
80-85	115	105	880-10-105

With door handle n° 82000			
D (mm)	A (mm)	B (mm)	Order code
54-59	80	70	880-10-70
59-64	85	75	880-10-75
64-69	90	80	880-10-80
69-74	95	85	880-10-85
74-79	100	90	880-10-90
79-84	105	95	880-10-95
84-89	110	100	880-10-100
89-94	115	105	880-10-105

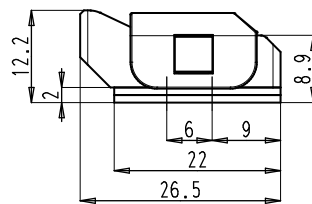
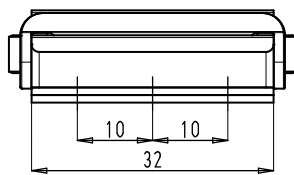


FACE FIXED PANIC EXIT DEVICE

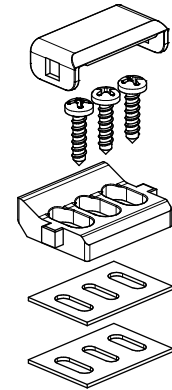
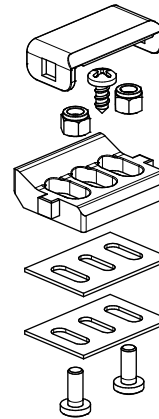
4.3. Keeps

Side and top keep n° 5701-9

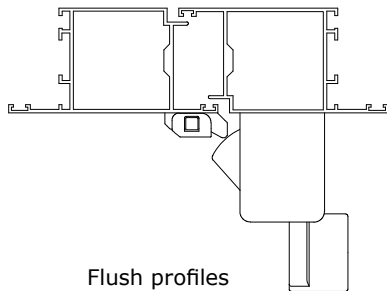
- Keep in zinc alloy with cover in synthetic material.
- The set contains the fixing screws for both installation on aluminium as on PVC profiles.
- The keep is included in the base set n° 5701-1 and the additional set n° 5701-3(B).



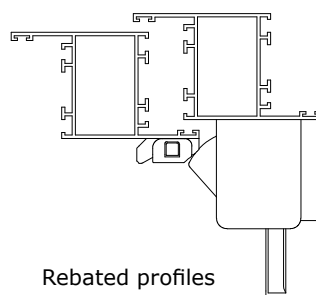
Installation on aluminium Installation on PVC



- The keep is reversible in accordance with the depth difference of the profiles (dimension 12.2 mm or 8.9 mm).



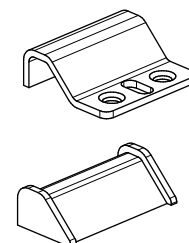
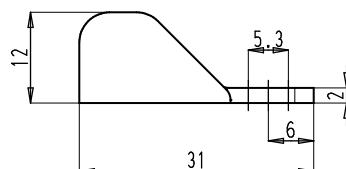
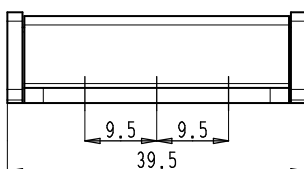
Flush profiles



Rebated profiles

Bottom keep n° 5701-8

- Keep in zinc alloy with cover in stainless steel.
- The keep is mounted on the floor or the sill.
- The keep is included in the additional set n° 5701-3.





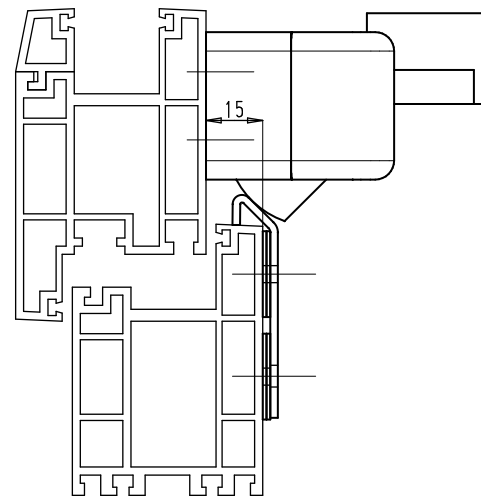
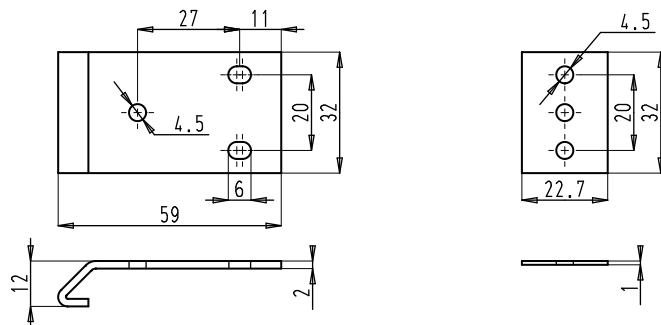
FACE FIXED PANIC EXIT DEVICE

Keeps for PVC profiles

- Keeps in stainless steel.
- The keep can be mounted at the side or at the top.

N° 5701-5

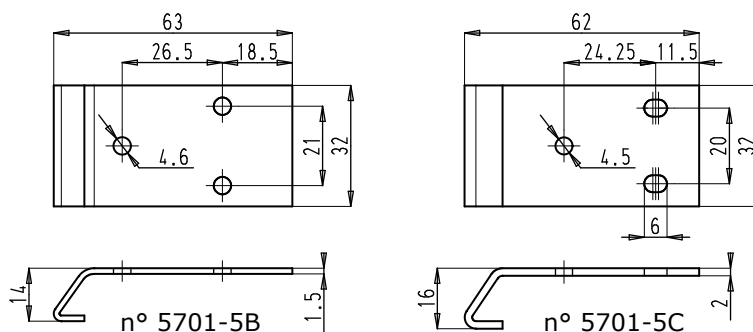
- For a depth difference between frame and vent section of 15 to 17 mm.
- The keep is supplied with 4 packers, 1 mm thick.



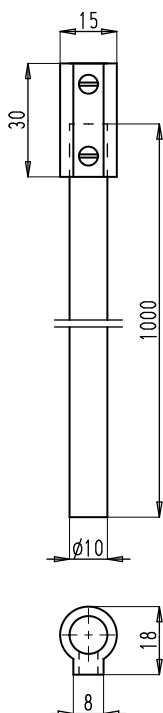
Depth difference = 15 mm : 4 packers
 Depth difference = 16 mm : 2 packers
 Depth difference = 17 mm : 0 packers

N° 5701-5B and 5C

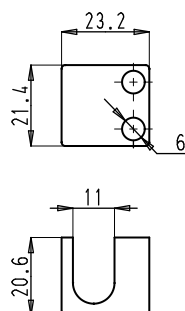
- For a depth difference between frame and vent section of 19 and 21 mm.



4.4. Additional connection rod n° 5701-4



- Additional connection rod for doors with vent height over 2650 mm. Maximum vent height 3600 mm.
- The connection rod, in steel coated, is connected to the top rod of set n° 5701-3 or n° 5701-3B.
- The guiding piece is included in the set.
- The set is available in 3 colours: white, grey or black coated, to specify when ordering. Other RAL colours on request.

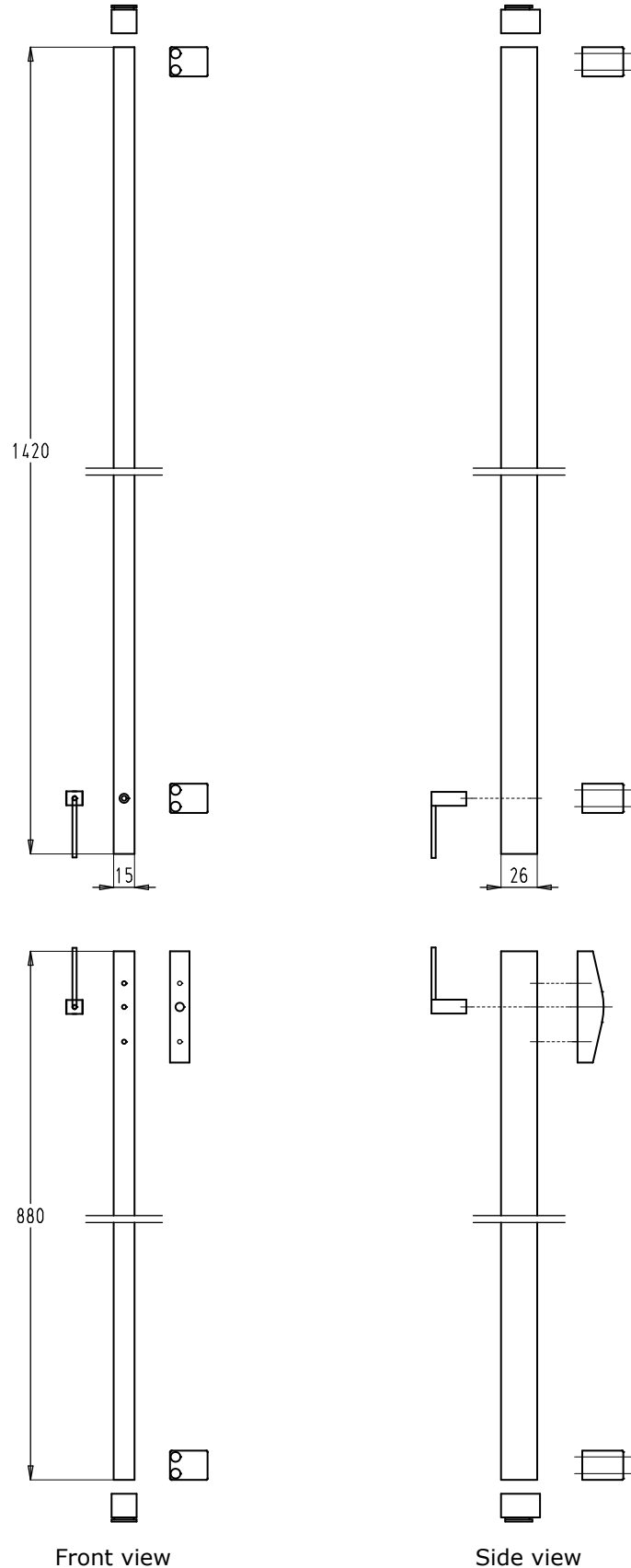




FACE FIXED PANIC EXIT DEVICE

4.5. Set cover sections n° 5701-7 for additional set

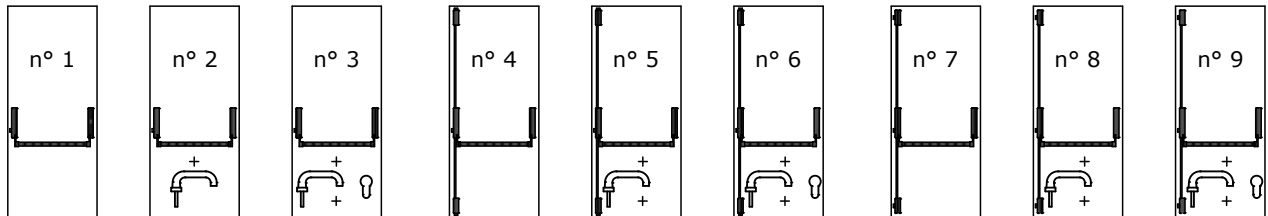
- The upper cover section must be shortened in accordance with the door height.
- The set is available in 3 colours: white, grey or black coated, to specify when ordering. Other RAL colours on request.
- Note:
Not possible with the additional connection rod n° 5701-4



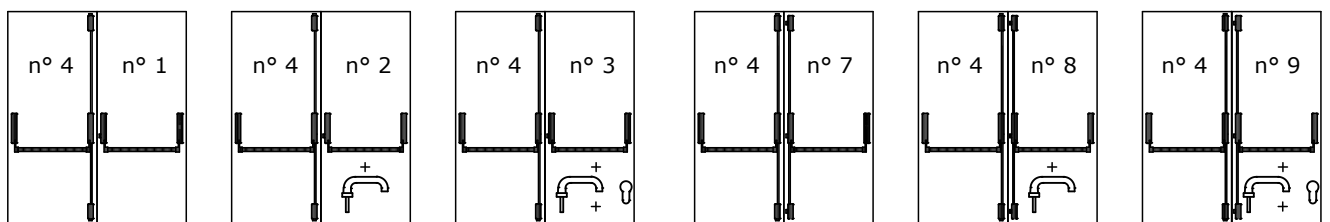


5. Combinations

Single doors



Double doors



Notes:

- Do not use the additional locking set n° 5701-3B on the second leaf of double doors.
- The mechanism can not be operated with only a cylinder on the outside !

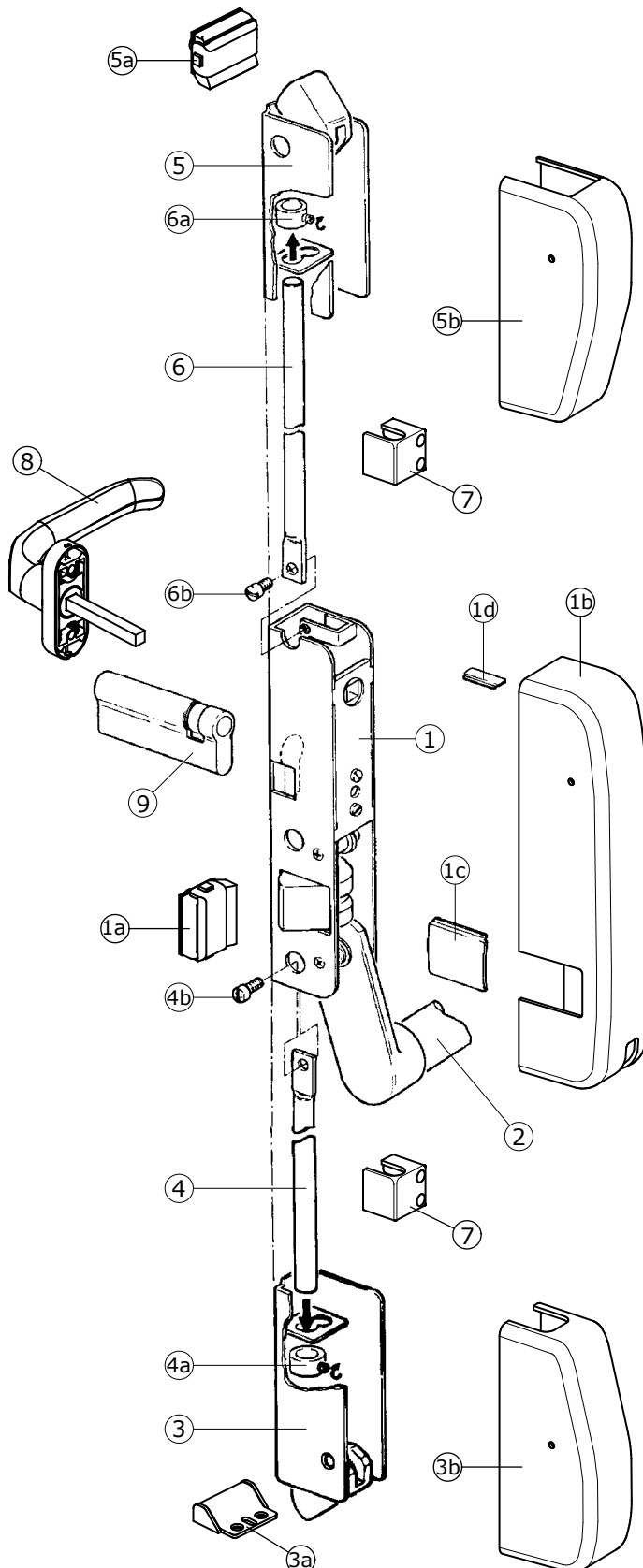
- N° 1 : base set n° 5701-1 without control from the outside
+ push bar n° 5701-....
- N° 2 : base set n° 5701-1
+ handle outside n° 5701-.. or n° 82000
+ push bar n° 5701-....
- N° 3 : base set n° 5701-1
+ handle outside n° 5701-.. or n° 82000
+ half cylinder outside n° 880-..
+ push bar n° 5701-....
- N° 4 : base set n° 5701-1 without control from the outside
+ additional locking set n° 5701-3
+ push bar n° 5701-....
- N° 5 : base set n° 5701-1
+ additional locking set n° 5701-3
+ handle outside n° 5701-.. or n° 82000
+ push bar n° 5701-....
- N° 6 : base set n° 5701-1
+ additional locking set n° 5701-3
+ handle outside n° 5701-.. or n° 82000
+ half cylinder outside n° 880-..
+ push bar n° 5701-....
- N° 7 : base set n° 5701-1 without control from the outside
+ additional locking set n° 5701-3B
+ push bar n° 5701-....
- N° 8 : base set n° 5701-1
+ additional locking set n° 5701-3B
+ handle outside n° 5701-.. or n° 82000
+ push bar n° 5701-....
- N° 9 : base set n° 5701-1
+ additional locking set n° 5701-3B
+ handle outside n° 5701-.. or n° 82000
+ half cylinder outside n° 880-..
+ push bar n° 5701-....



FACE FIXED PANIC EXIT DEVICE

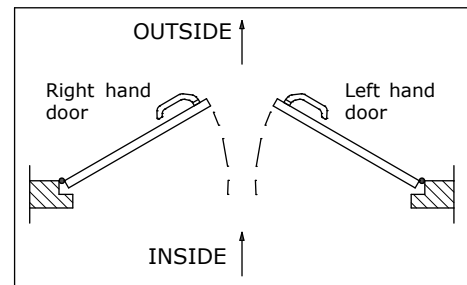
6. Installation instructions

6.1. Assembly



Notes:

- The set can be used left hand as well as right hand, simply by covering the latch at the hinge side with a plastic cover (1c).
- If the set is used with a set of vertical rods, the plastic clip at top of the steel cover must be removed to slide in the rod.
- The set is illustrated for a left hand open out door (see illustration).



Sets and parts:

- Base set n° 5701-1 (1)
- Rod n° 5701-.... (2)
- Set of rods n° 5701-3 or n° 5701-3B including:
 - additional bottom locking point (3)
 - connection rod (4)
 - additional top locking point (5)
 - connection rod (6)
 - guiding pieces (7)
- Handle n° 5701-.. or 82000-26 (8)
- Cylinder n° 880-.. (9)

Attention:

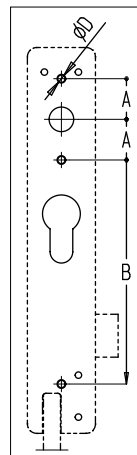
- The set can be operated from the outside:
 - with door handle
 - with door handle and cylindre
- The lock is not cylinder-operated: it is not possible with a cylinder only on the outside.



6.2. Assembling order

Note: These instructions are for a left hand open out door.

- 1) Cut out the opening for cylinder and handle and drill 4 holes $\varnothing 3.5$ mm in the vent section in accordance with the dimensions on the drawing.
- 2) Drill 4 holes $\varnothing 3.5$ mm at the hinge side of the door in the same way and at the same height as the left hand middle device.
- 3) Cut off the push bar (2) to the correct length.
- 4) Position the left hand middle lock (1) and fix it to the vent section by 4 screws.
- 5) Slide in the push bar (2) in the cavity of the left hand lock (1) and fix it.
- 6) Position the right hand lock (1') while the right hand side of the push bar (2) is engaged. Fix the lock to the vent section by 4 screws.
- 7) Screw the right hand side of the push bar.
- 8) Drill the 4 (or 5 for the top locking point) fixing holes $\varnothing 3.5$ mm for the bottom locking point (3) in accordance with the dimensions on the drawing.
- 9) Position the bottom locking point (3) on the fixing holes and fix it by 4 screws (or 5 for the top locking point) screws.
- 10) Cut off the connection rod (4) to the correct length. Slide the rod into the plate opening of the bottom locking point mechanism (see drawing). At the same time, slide the fixing ring (4a) on the connection rod without fixing it. First, screw the rod to the middle lock with a brass screw (4b). Then, slide the ring against the plate with the opening and fix it.
- 11) Top locking point (5) : as instruction 8.
- 12) Position the top locking point (5) : as instruction 9.
- 13) Connection rod (6) : as instruction 10.
- 14) Position keep (1a) for the middle lock and drill 2 holes $\varnothing 3.5$ mm.
- 15) Fix keep (1a) by 2 screws.
- 16) Top keep (5a) : as instruction 14.
- 17) Fix keep (5a) by 2 screws.
- 18) Close the door to position the bottom keep (3a) opposite the latch (see illustration). Drill the 2 holes $\varnothing 5$ mm. Place the 2 plugs and fix the keep.
- 19a) Installation door handle 5701-...:
 - drill 3 holes $D = \varnothing 4.2$ mm.
 - place and fix the base + mount the cover plate.
- 19b) Installation door handle 82000-26 (8):
 - drill 2 holes $D = \varnothing 4.2$ mm.
 - place and fix the base + mount the cover plate.
- 20) Place cylinder (9) and fix it (screw is not included).
- 21) Before fixing the covers, we advise you to check the operation of the panic exit device.
- 22) Place the covers (1b, 3b, 5b) and fix them by 2 little countersunk screws.
- 23) Position the guiding pieces (7) above and below the middle lock: drill two holes $\varnothing 2.3$ mm and fix the guiding piece by two screws. Quantity and position guiding pieces: see page K13.12.04.



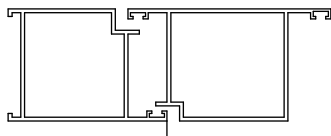
Fixing holes door handle:

- 5701-...: A = 21.5 mm
B = 118.5 mm
- 82000-26: A = 21.5 mm
B = 0 mm

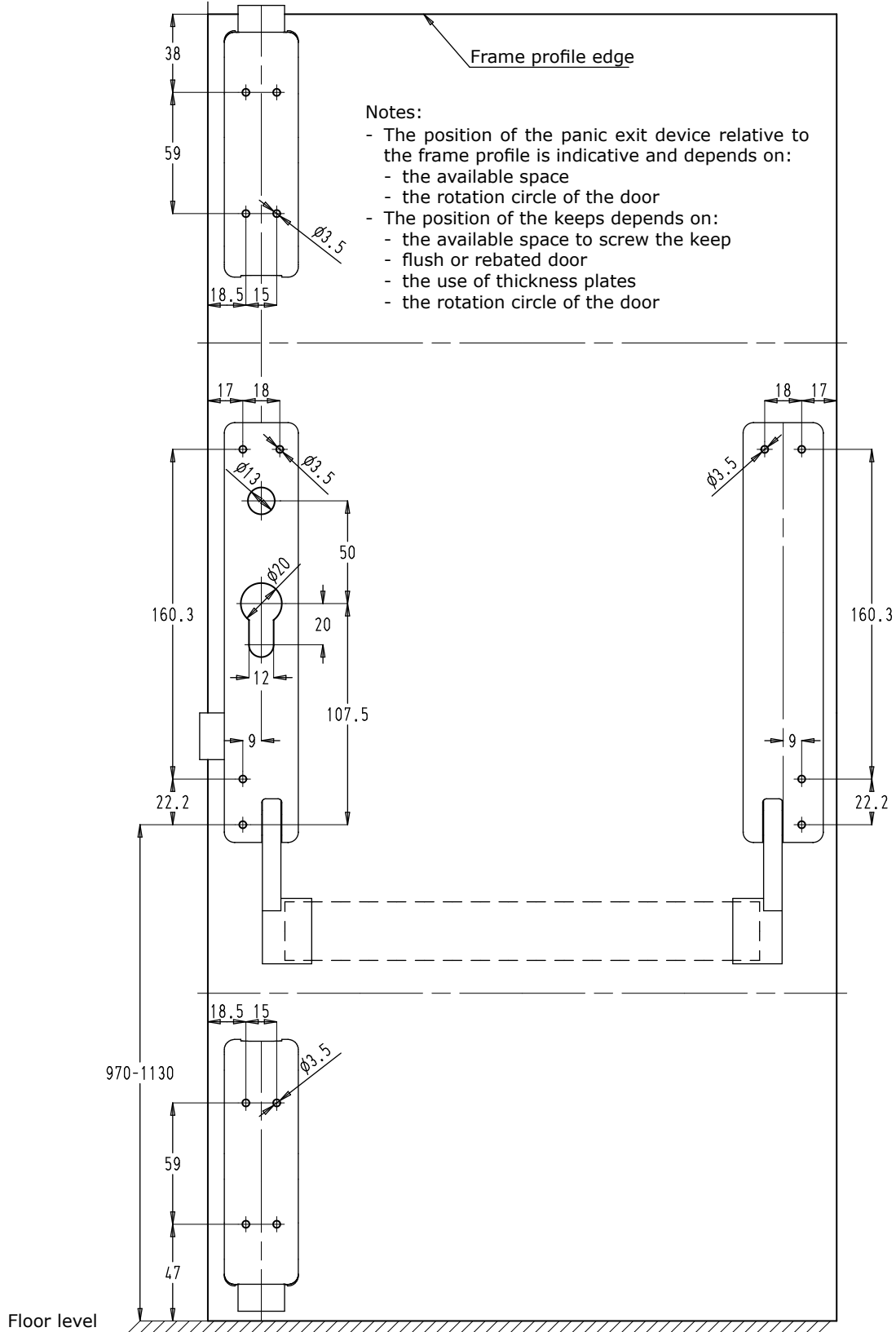


FACE FIXED PANIC EXIT DEVICE

6.3. Profile preparations

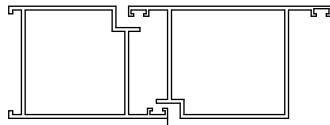


With additional locking set n° 5701-3

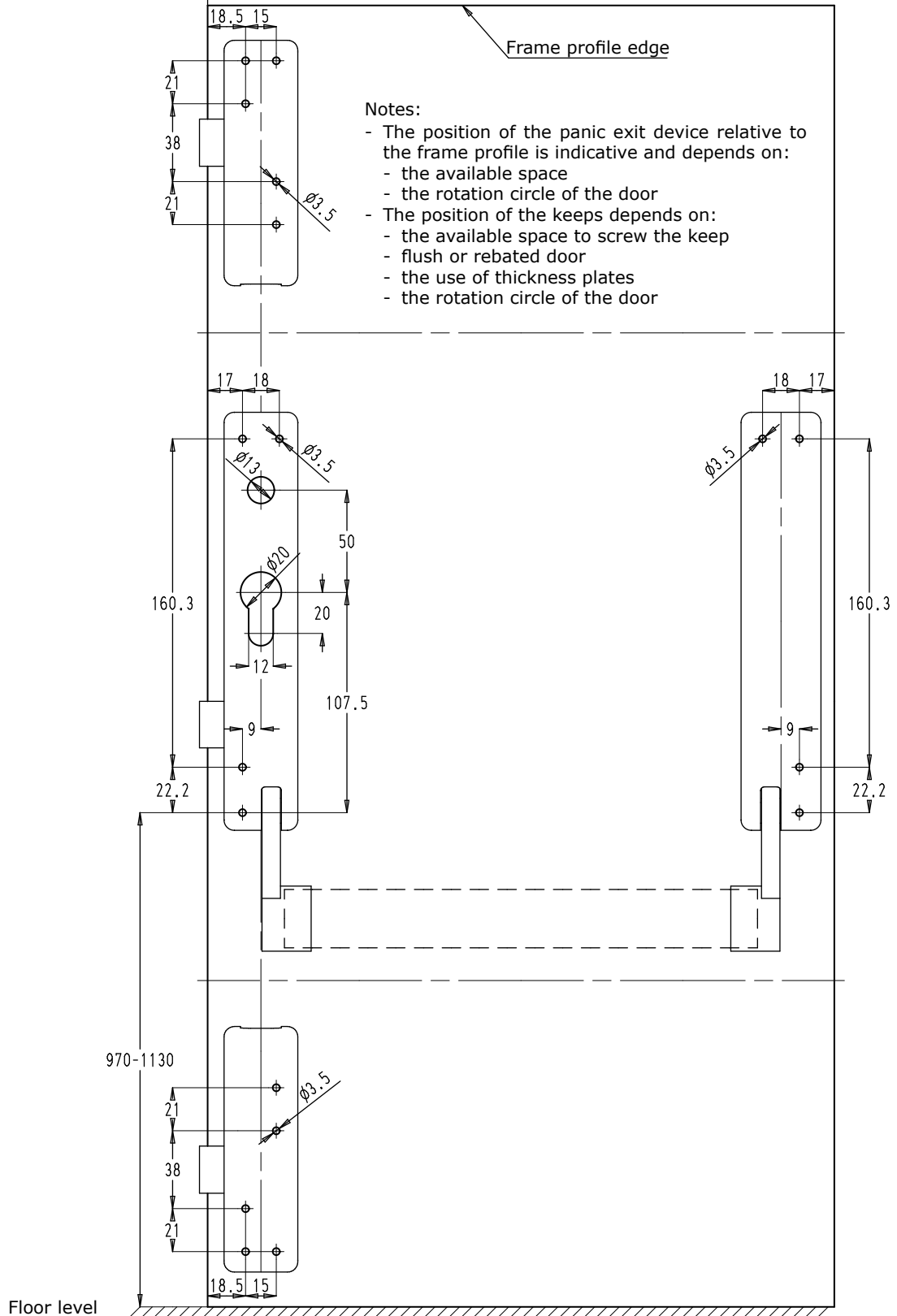




FACE FIXED PANIC EXIT DEVICE

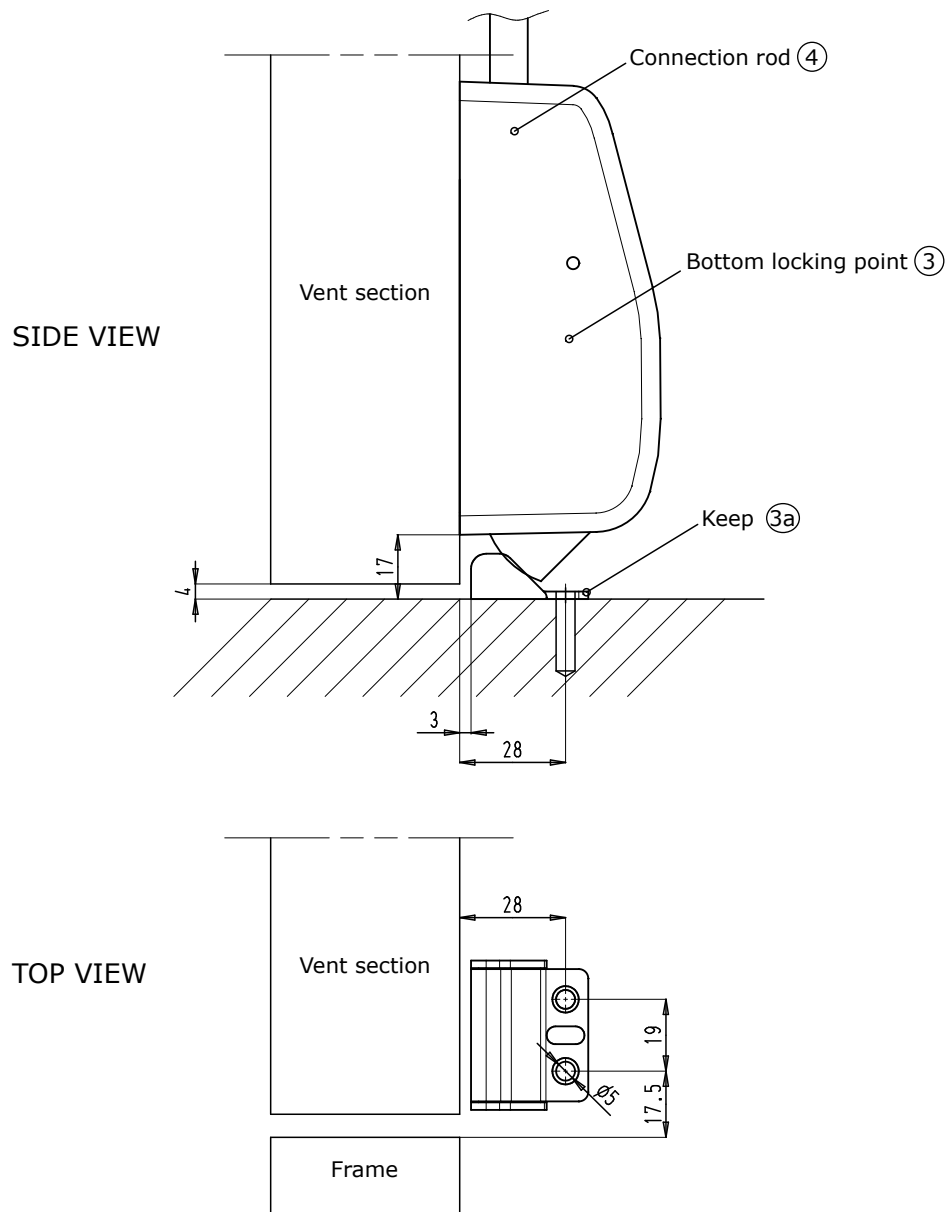


With additional locking set n° 5701-3B





FACE FIXED PANIC EXIT DEVICE

6.4. Detail bottom keep**6.5. General notes and instructions**

- Check the gaskets do not effect the operation of the panic exit device.
- The panic exit device can only be installed on glass doors provided that the glass is tempered or laminated.
- The components and keeps must be firmly fixed on the sections.
- After the installation, please check that the latches are fully retracted when operating the push bar so that the door can be opened.
- For the satisfactory operation of the panic exit device, please follow strictly the installation instructions.
- To ensure a satisfactory operation, we advise you to execute monthly the following check-ups yourself:
 - Examine and operate the panic exit device to check the good working of the device and all its parts.
 - Check if the latches are retracted by operating the push bar, even at low pressure, and if the latches have a free passage when opening the door.
- After the installation, please give a copy of these installation and maintenance instructions to the user.