



HORIZONTAL AND VERTICAL PIVOT WINDOWS



H13.12 LOCKCASES

01.06.2017



LOCKCASES

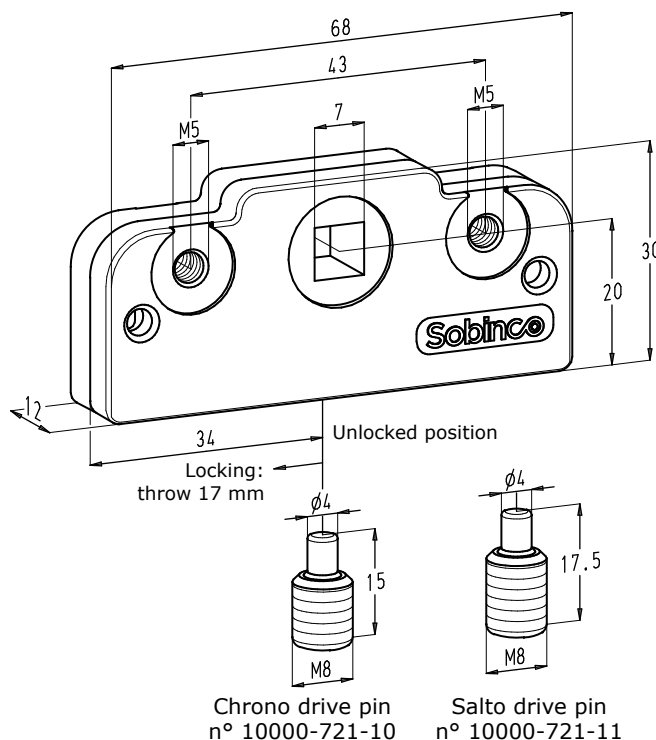
CONTENTS

1. Lockcase n° 10000-721 and n° 10000-722	H13.12.03
1.1. General characteristics lockcase n° 10000-721	H13.12.03
1.2. Drive pins n° 10000-721-10 and -11	H13.12.03
1.3. Lockcase with clamping piece n° 10000-722	H13.12.04
1.4. Installation	H13.12.04
2. Lockcases without locking rods	H13.12.06
2.1. Lockcase n° 526 with faceplate	H13.12.06
2.2. Lockcase n° 527 without faceplate	H13.12.06
3. Lockcases with locking rods	H13.12.07
3.1. Lockcase n° 528 without drive pins	H13.12.07
3.2. Lockcase n° 529 with drive pins	H13.12.07
4. Handles	H13.12.08
4.1. Handle n° 30000-680	H13.12.08
4.2. Sobinox handles	H13.12.08
4.3. Handle n° 516	H13.12.09
5. Application examples	H13.12.09

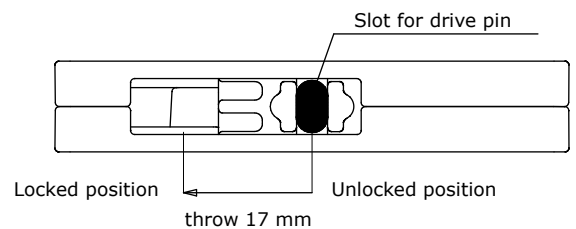


1. Lockcase n° 10000-721 and n° 10000-722

1.1. General characteristics lockcase n° 10000-721



- Compact lockcase for installation in a small profile chamber.
- Application: pivot windows and side hung open out windows.
- Can be used in combination with a Salto and Chrono perimeter locking system.
- The lockcase can be operated by a handle with square spindle 7x7 mm and has a throw of 17 mm when turning the handle 90°.
- The lockcase is supplied in unlocked position and is provided with a snap-off pin which is broken off the first time the handle is operated.
- Materials:
 - Lockcase: zinc alloy parts, black passivated
 - Clamping piece: black synthetic material
 - Drive pin: stainless steel
- Non-handed when turning the lockcase.
 - Sobinco logo on the right hand side: handle is pointing to the right in locked position.
 - Sobinco logo on the left hand side: handle is pointing to the left in locked position.
- Bottom side of lockcase:



1.2. Drive pins n° 10000-721-10 and -11

- The lockcase is connected to the perimeter locking system by means of a drive pin:
 - Chrono: drive pin n° 10000-721-10 is connected to connection block n° 10000-710.1 + connection piece n° 10000-700.
 - Salto: drive pin n° 10000-721-11 is connected to connection piece:
 - n° 4600-232.1 (vent groove 15/20 mm) or
 - n° 4600-432.1 (vent groove 14/18 mm)
- The drive pin is provided with internal hexagon for an allen key SW4.





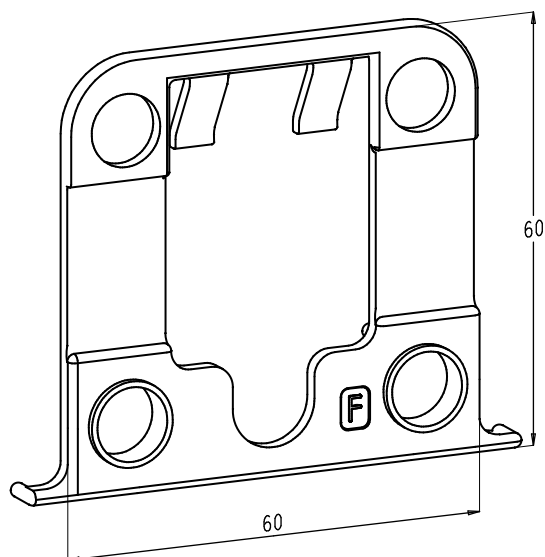
LOCKCASES

1.3. Lockcase with clamping piece n° 10000-722

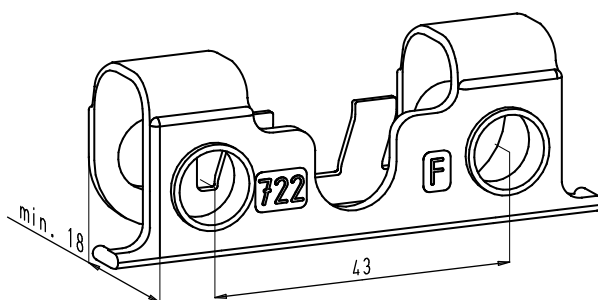
- Lockcase n° 10000-721 can be used separately. In order to allow an easier assembly, lockcase n° 10000-722 is used with the clamping piece n° 10000-722.5 included.



N° 10000-722.5

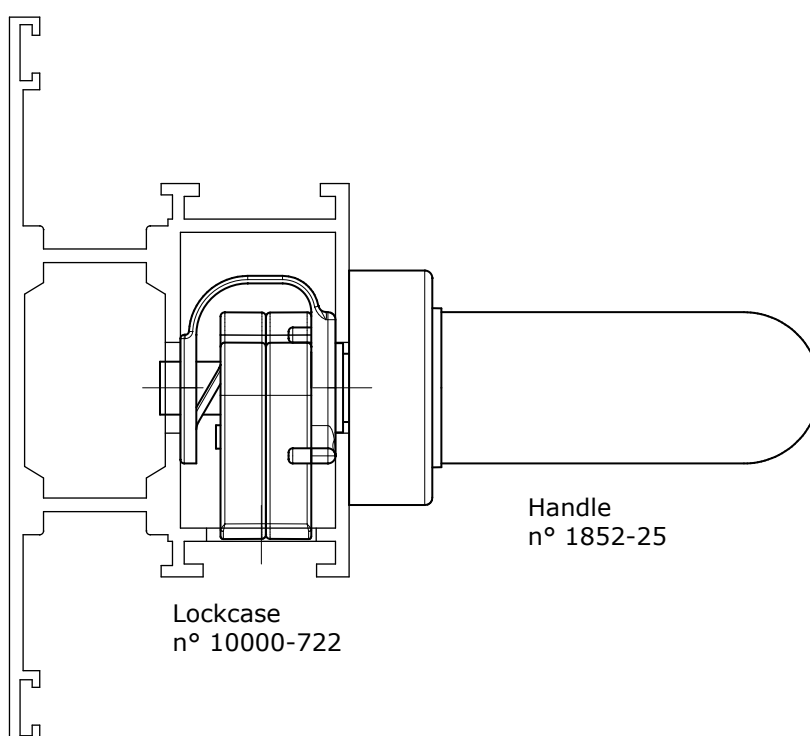


- The clamping piece ('F' towards the interior side of the window) is bent and clamped in the round drill holes of the profile.



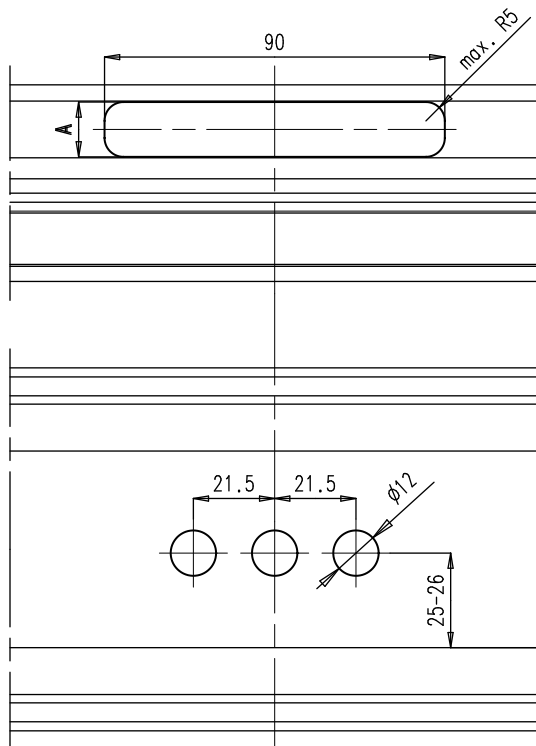
1.4. Installation

Installation example

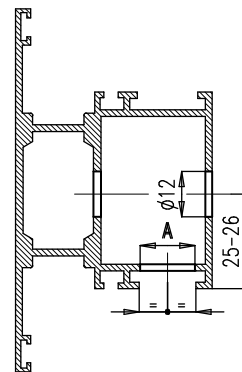




Profile preparations

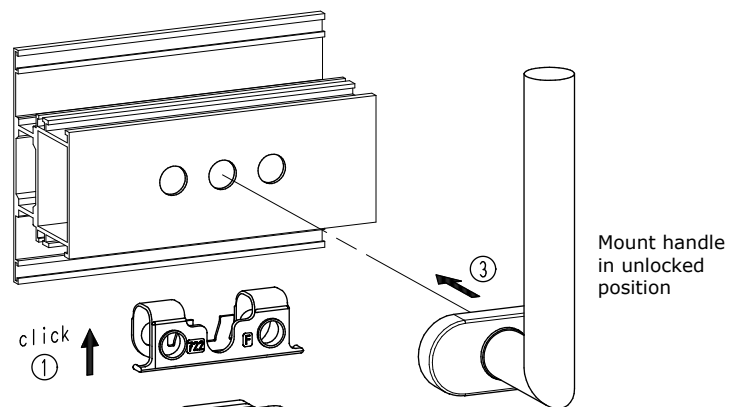
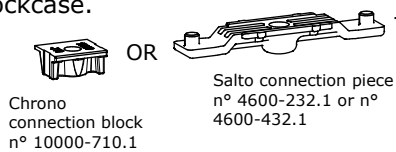


Groove	Milling A
14/18 mm	14 mm
15/20 mm	14.5 mm

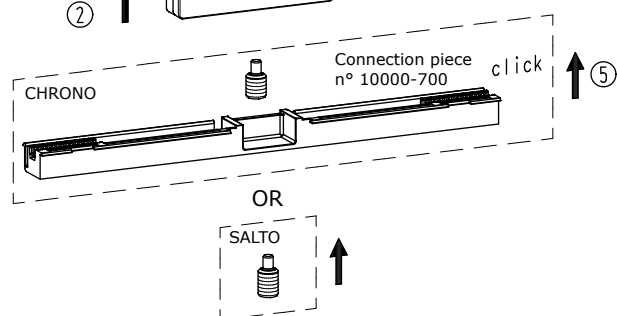
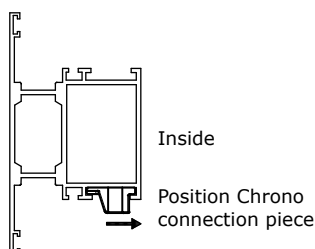


Installation order

1. Bend the clamping piece ('F' towards the front) and clamp this in the round drill holes of the profile.
2. Clamp the lockcase in the clamping piece.
3. Fix the handle in unlocked position to the lockcase.



4. Slide the Salto or Chrono connection piece in the vent groove. The centre of the connection piece is positioned at the middle hole.



5. Turn in the drive pin completely into the connection piece.

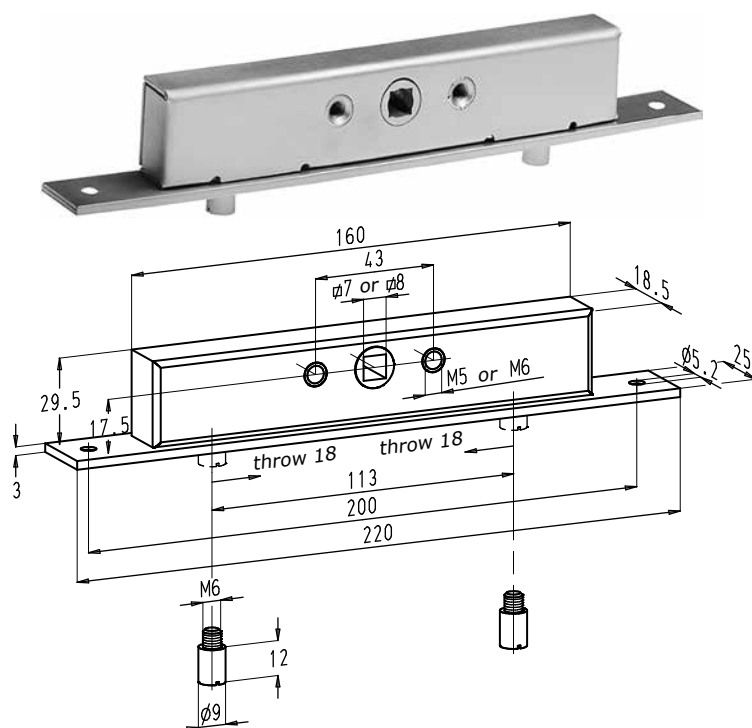


LOCKCASES

2. Lockcases without locking rods

- The lockcases are used in combination with handle n° 516: see page H13.12.08.
- Quick coupling to the locking rods:
 - Unscrew the drive pins.
 - Slide the rods, provided with a round hole $\varnothing 9.1$ mm, in front of the lockcase.
 - Screw the drive pins through the rods into the lockcase.
- Finish: steel zinc plated.

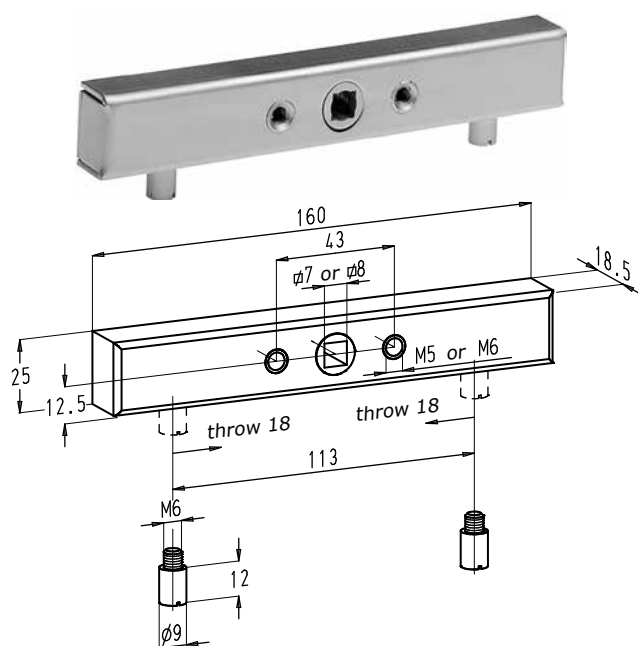
2.1. Lockcase n° 526 with faceplate



Order code	Square hole	Fixing holes
526	8x8	M6
526-M5	8x8	M5
526Z	7x7	M6
526Z-M5	7x7	M5

- Lockcase n° 526 is provided with a faceplate with 2 holes $\varnothing 5.2$ mm to fix the lockcase.
- The handle can either be screwed to the section or directly to the lockcase which is equipped for that purpose with 2 screw sleeves M5 or M6.

2.2. Lockcase n° 527 without faceplate



Order code	Square hole	Fixing holes
527	8x8	M6
527-M5	8x8	M5
527Z	7x7	M6
527Z-M5	7x7	M5

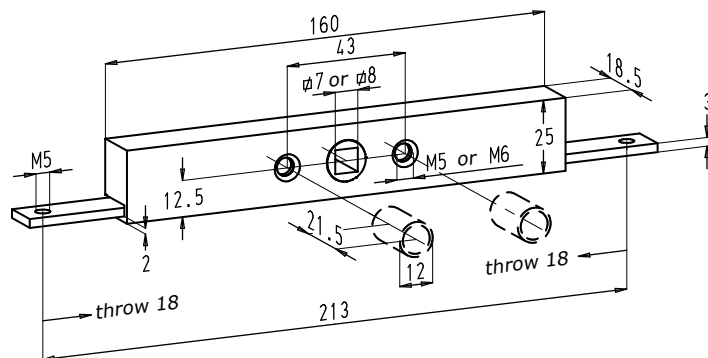
- Lockcase n° 527 is without faceplate.
- The lockcase, which is equipped with 2 screw sleeves M5 or M6, is clamped by the screws of the handle.



3. Lockcases with locking rods

- The lockcases are used in combination with handle n° 516: see page H13.12.08.
- The lockcase, which is equipped with 2 screw sleeves M5 or M6, is clamped by the screws of the handle.
- The lockcases are equipped with 2 lateral drive plates.
- The locking rods are screwed to the lateral drive plates of the lockcase.
- Finish: steel zinc plated.

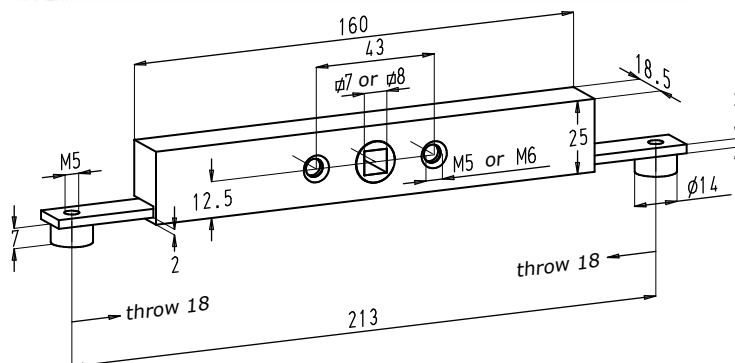
3.1. Lockcase n° 528 without drive pins



Order code	Square hole	Fixing holes
528	8x8	M6
528-M5	8x8	M5
528Z	7x7	M6
528Z-M5	7x7	M5

- On request, the lockcase can be supplied with 2 spacers n° 528-1, steel zinc plated.

3.2. Lockcase n° 529 with drive pins



Order code	Square hole	Fixing holes
529	8x8	M6
529-M5	8x8	M5
529Z	7x7	M6
529Z-M5	7x7	M5

- Lockcase n° 529 is the same lockcase as n° 528 but with 2 pins $\phi 14 \times 7$ mm, threaded M5 or M6.



LOCKCASES

4. Handles

4.1. Handle n° 30000-680

• For more information: see chapter A11.15.



4.2. Sobinox handles

• For more information: see chapter A11.15.



n° 1850(Al)-25
n° 1850(Al)-38



n° 1851-25
n° 1851-38



n° 1852(Al)-25
n° 1852(Al)-38



n° 1852CYL-25
n° 1852CYL-38



n° 1853-25
n° 1853-38



n° 1854-25
n° 1854-38



n° 1850(Al)-25
n° 1850(Al)-38



n° 1851-25
n° 1851-38



n° 1852(Al)-25
n° 1852(Al)-38



n° 1852CYL-25
n° 1852CYL-38



n° 1853-25
n° 1853-38

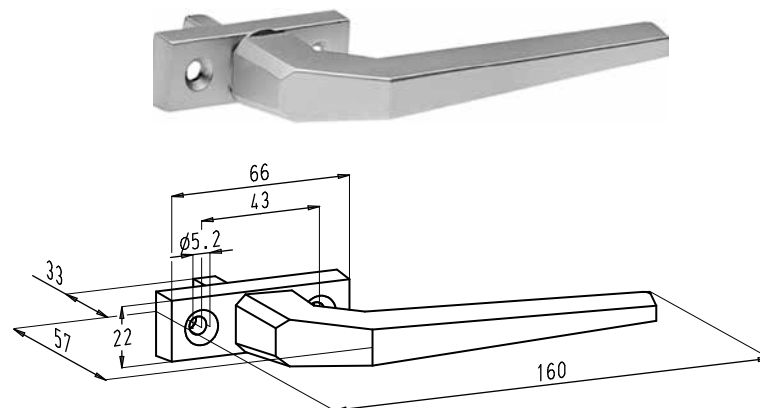


n° 1854-25
n° 1854-38

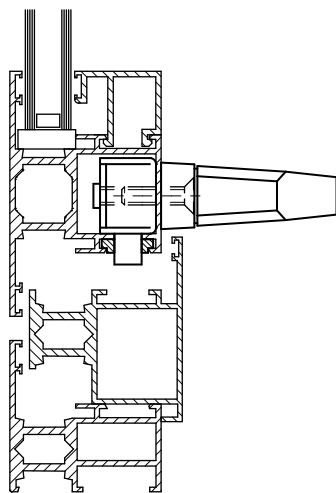


4.3. Handle n° 516

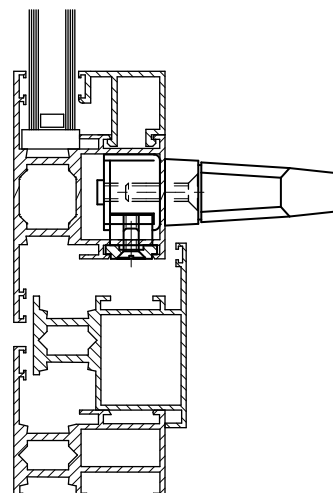
- The handle is used in combination with lockcases n° 526, 527, 528 and 529.
- Finish: aluminium anodised or polyester powder coated in more than 450 RAL colours.
- Square spindle of 8 mm in steel zinc plated.



5. Application examples



Lockcase n° 527 + handle n° 516



Lockcase n° 529 + handle n° 516

