



**HORIZONTAL AND VERTICAL
PIVOT WINDOWS**



H11.11
CONCEALED PIVOTS
SERIES 2500

01.03.2018



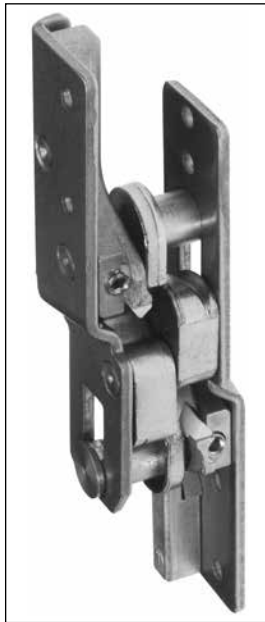
CONCEALED PIVOTS SERIES 2500

CONTENTS

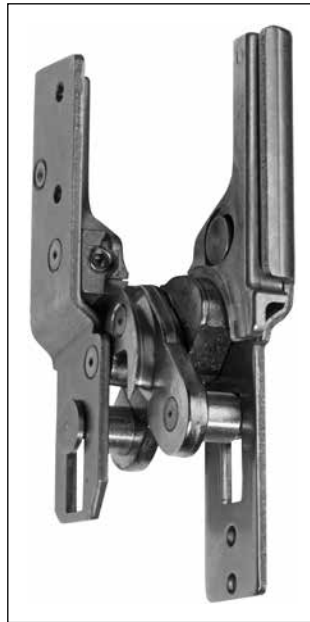
1. General characteristics	H11.11.03
2. Size range	H11.11.04
3. General dimensions	H11.11.05
4. Installation	H11.11.06
5. Preparations	H11.11.07
6. Installation example	H11.11.08



1. General characteristics



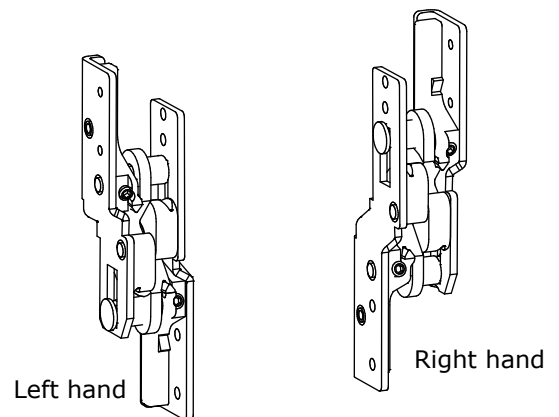
Closed position



180° opening

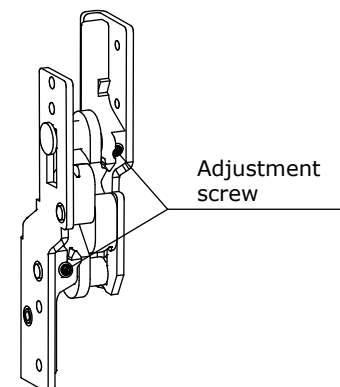
- There's always a left hand and a right hand pivot on each window.

- The pivot is fully concealed, resulting in greatly improved aesthetics.
- The pivot ensures a smooth and quiet operation because of the special construction.
- The pivot is entirely made of non-corroding materials: stainless steel, brass, synthetic material and zinc alloy.
- The pivot is not provided with an integral restrictor. A restriction of the opening angle is obtained by a separate window stay.



Adjustable friction device

- Powerful integral adjustable friction device, preventing the window from closing. The more the friction is adjusted, the higher the operating force. So, the adjustment depends on the required comfort. The necessary friction force to hold open the window in any position between 0° and 180° depends on the profile choice, the dimensions and weight of the window.
- **Important to know!**
The more friction force required to hold the window in a certain position, the more difficult it will be to open and close the window. You will always have this friction force which has to be overcome.
- The friction is adjusted by 2 adjustment screws using a hexagonal spanner of 4 mm. Both screws must be adjusted equally.
- Procedure: First, tighten the friction (both screws) up hard on both pivots and rotate the vent several times to bed in the friction. Then slacken off and adjust the friction according to the dimensions and weight of the window.





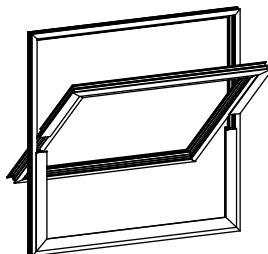
CONCEALED PIVOTS SERIES 2500

2. Size range

- The pivots can be used for both horizontal and vertical pivoting windows:

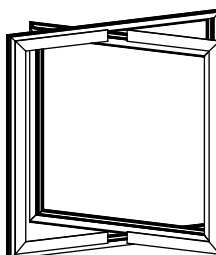
1 Horizontal pivot window:

- vent width: max. 2400 mm
- vent height: max. 2000 mm
- vent weight: max. 180 kg



2 Vertical pivot window:

- vent width: max. 2000 mm
- vent height: max. 2400 mm
- vent weight: max. 120 kg

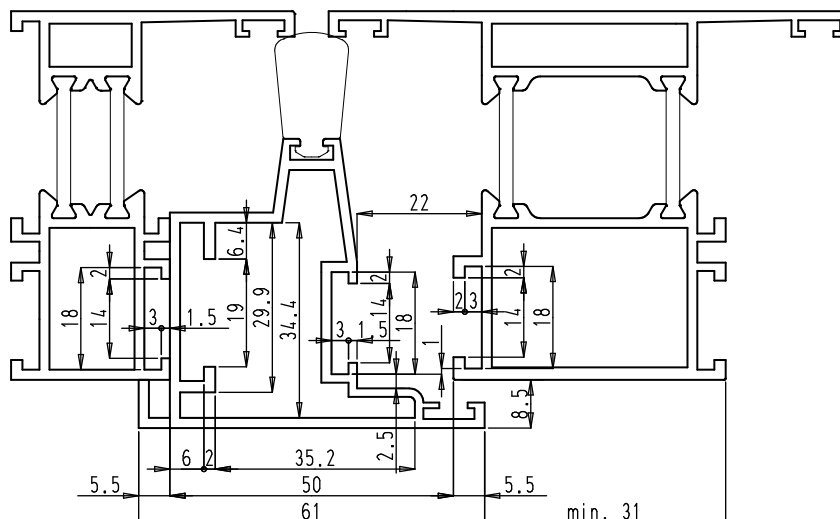


● **Attention!**

- The minimum vent height (for horizontal pivoting windows) or the minimum vent width (for vertical pivoting windows) is profile related and depends on the used perimeter locking set. You must check whether there are any obstacles (e.g. a keep) when opening the vent.
- The maximum vent dimensions and vent weights also depend on the stability of the profiles.

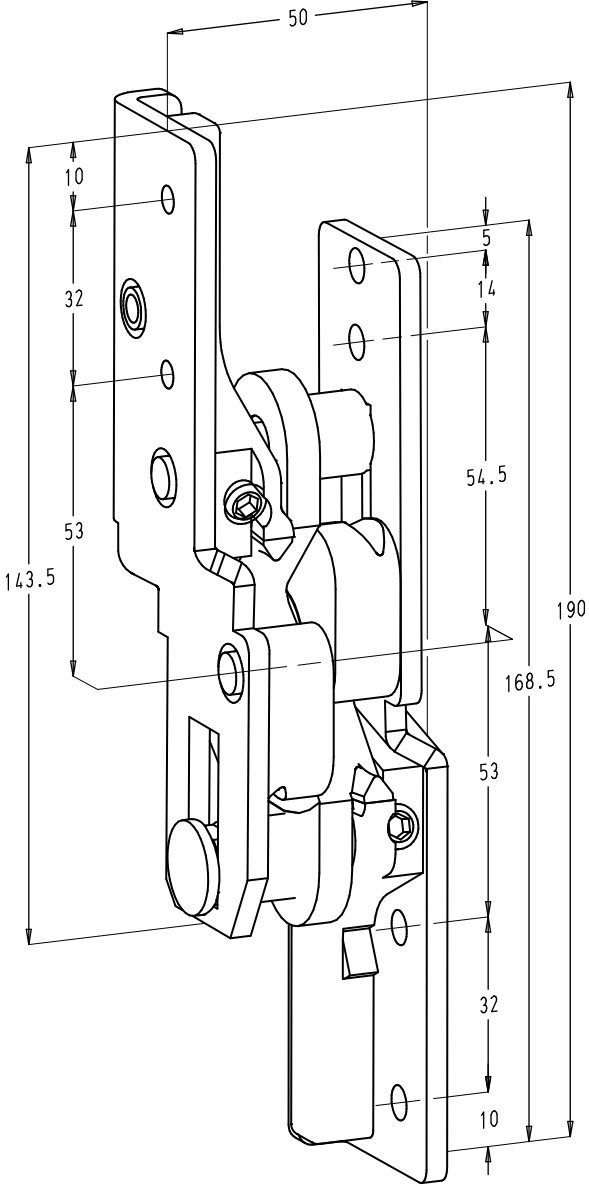
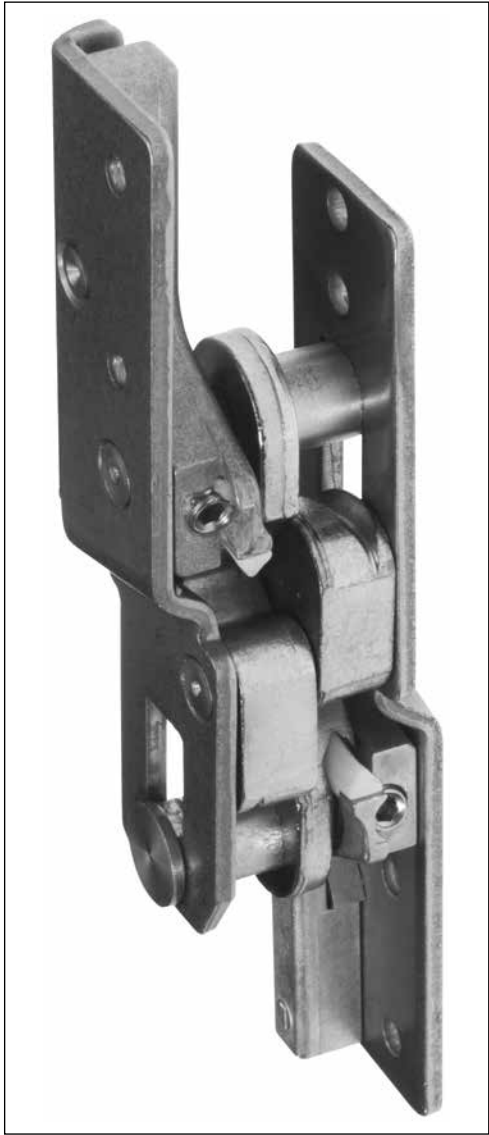
● **Dimensions out of standard range on request !**

- The pivot is suitable for profiles with the following dimensions.





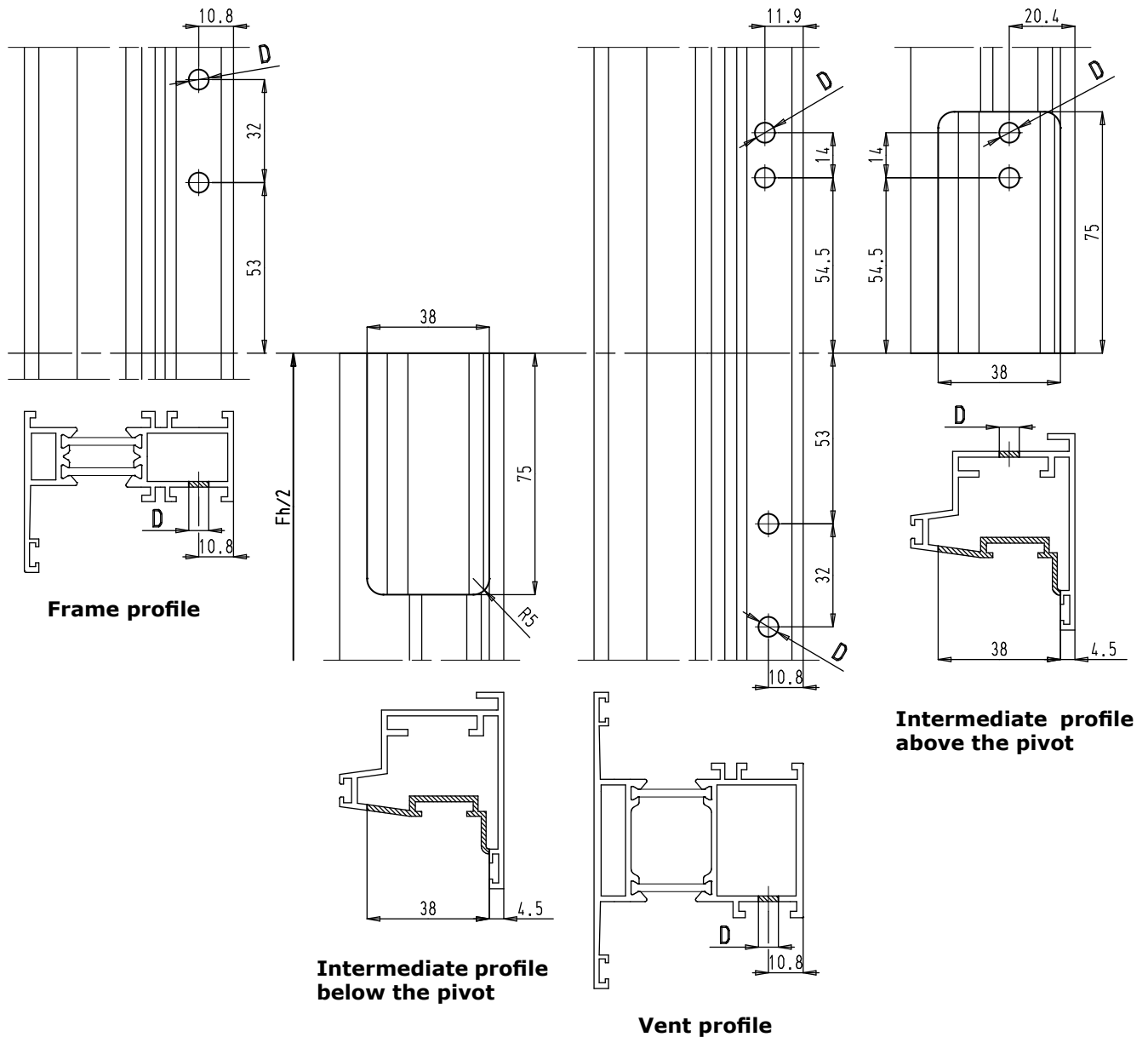
3. General dimensions



The fixing holes are suitable for screws M6.



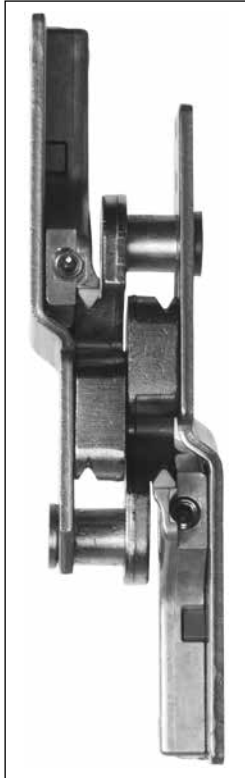
5. Preparations



- The milling of the intermediate profile is only indicative. This must be studied for each profile.
- Drill holes D for the M6 fixings:
 - With blind rivnuts: $\varnothing 9.1$ mm
 - With clamping plates in the profile tube: $\varnothing 6.2$ mm



6. Installation example



Left hand pivot

