



---

## HORIZONTAL AND VERTICAL PIVOT WINDOWS

---



# H11.11 CONCEALED PIVOTS SERIES 2500

01.11.2015



---

CONCEALED PIVOTS SERIES 2500

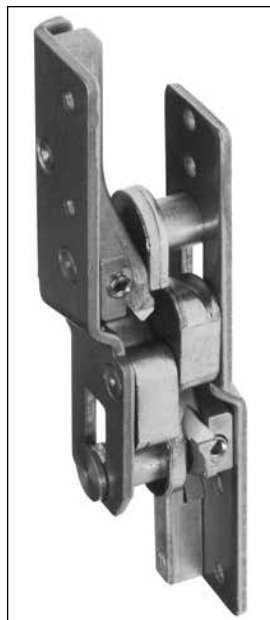
---

**CONTENTS**

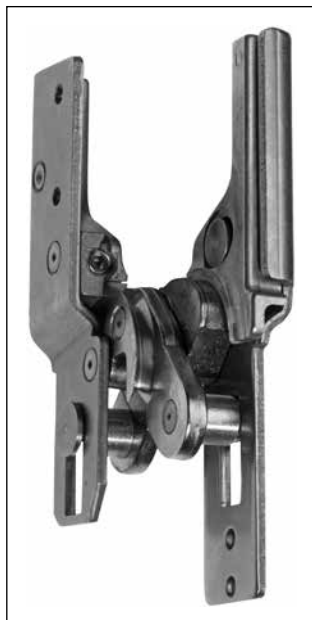
<b>1. General characteristics</b> .....	H11.11.03
<b>2. Size range</b> .....	H11.11.04
<b>3. General dimensions</b> .....	H11.11.05
<b>4. Installation</b> .....	H11.11.06
<b>5. Preparations</b> .....	H11.11.07
<b>6. Installation example</b> .....	H11.11.08



## 1. General characteristics



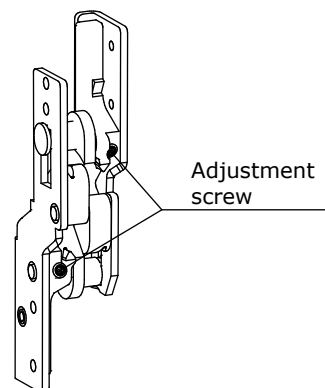
Closed position



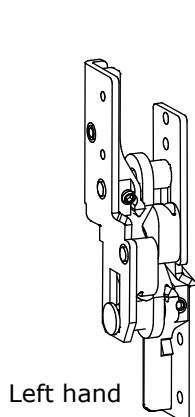
180° opening

- The pivot is fully concealed, resulting in greatly improved aesthetics.
- The pivot ensures a smooth and quiet operation because of the special construction.
- The pivot is entirely made of non-corroding materials: stainless steel, brass, synthetic material and zinc alloy.
- The pivot is not provided with an integral restrictor. A restriction of the opening angle is obtained by a separate window stay.
- An integral adjustable friction mechanism is active from 0° through to 180° opening angle.

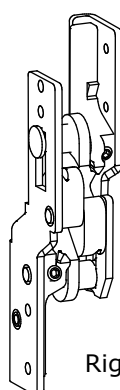
- The friction is adjusted by 2 adjustment screws using a hexagonal spanner of 4 mm. Both screws must be adjusted equally.
- Procedure: First, tighten the friction (both screws) up hard on both pivots and rotate the vent several times to bed in the friction. Then slacken off and adjust the friction according to the dimensions and weight of the window.



- There's always a left hand and a right hand pivot on each window.



Left hand



Right hand



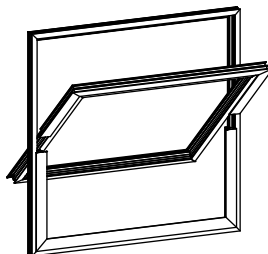
## CONCEALED PIVOTS SERIES 2500

### 2. Size range

- The pivots can be used for both horizontal and vertical pivoting windows:

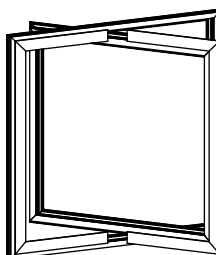
1 Horizontal pivot window:

- vent width: max. 2400 mm
- vent height: max. 2000 mm
- vent weight: max. 180 kg



2 Vertical pivot window:

- vent width: max. 2000 mm
- vent height: max. 2400 mm
- vent weight: max. 120 kg

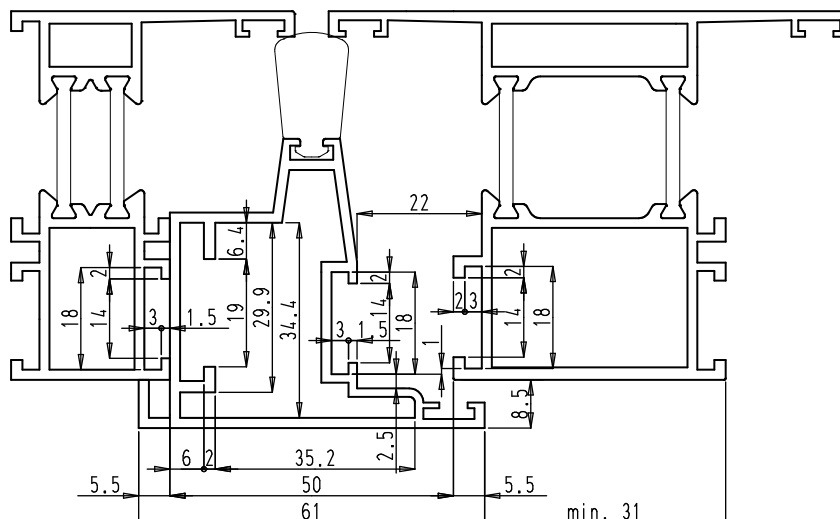


● **Attention!**

- The minimum vent height (for horizontal pivoting windows) or the minimum vent width (for vertical pivoting windows) is profile related and depends on the used perimeter locking set. You must check whether there are any obstacles (e.g. a keep) when opening the vent.
- The maximum vent dimensions and vent weights also depend on the stability of the profiles.

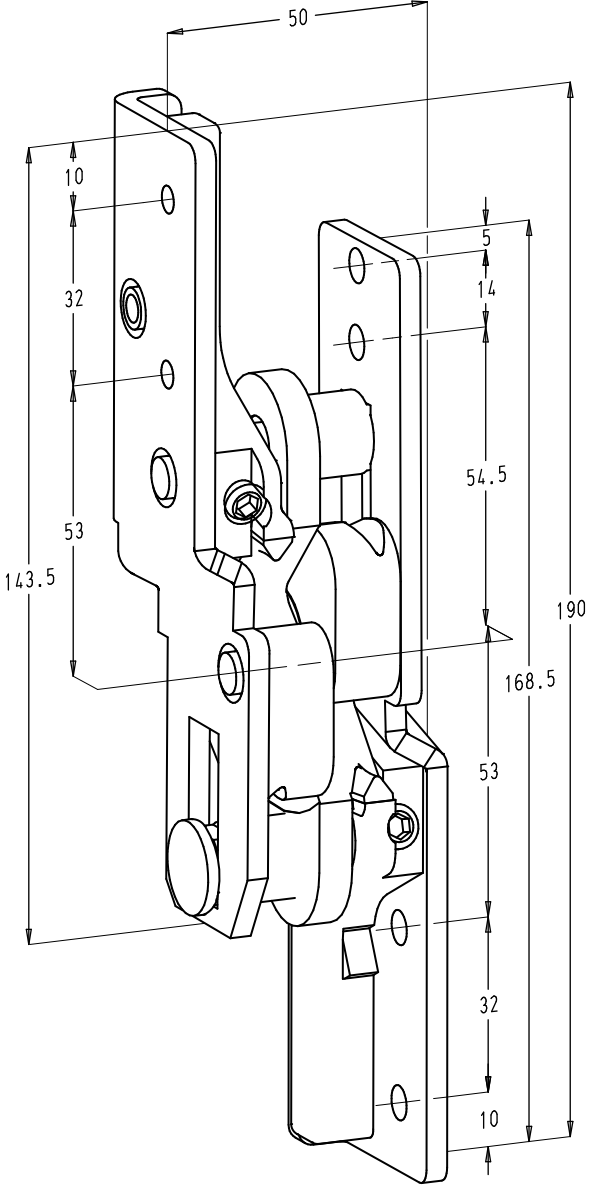
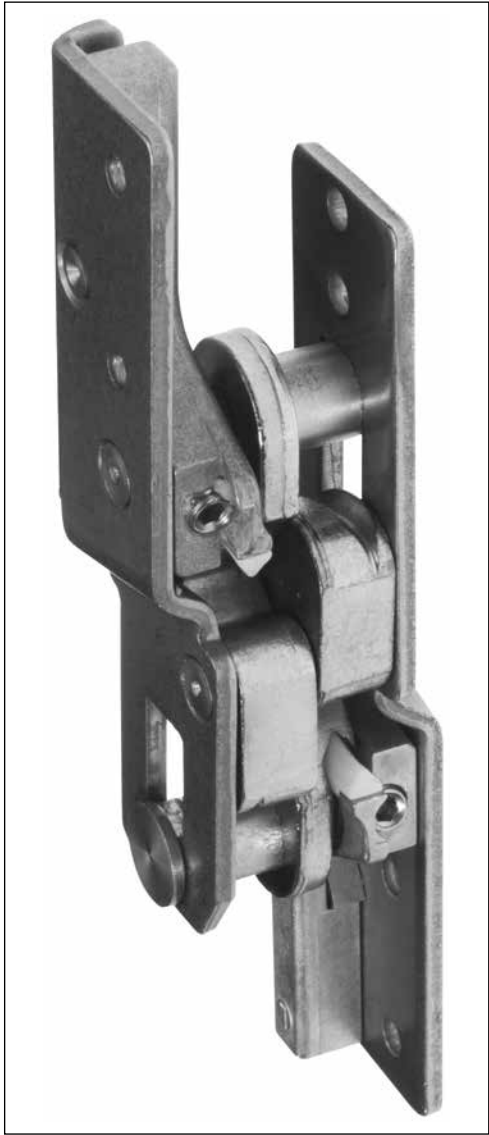
● **Dimensions out of standard range on request !**

- The pivot is suitable for profiles with the following dimensions.





**3. General dimensions**



The fixing holes are suitable for screws M6.



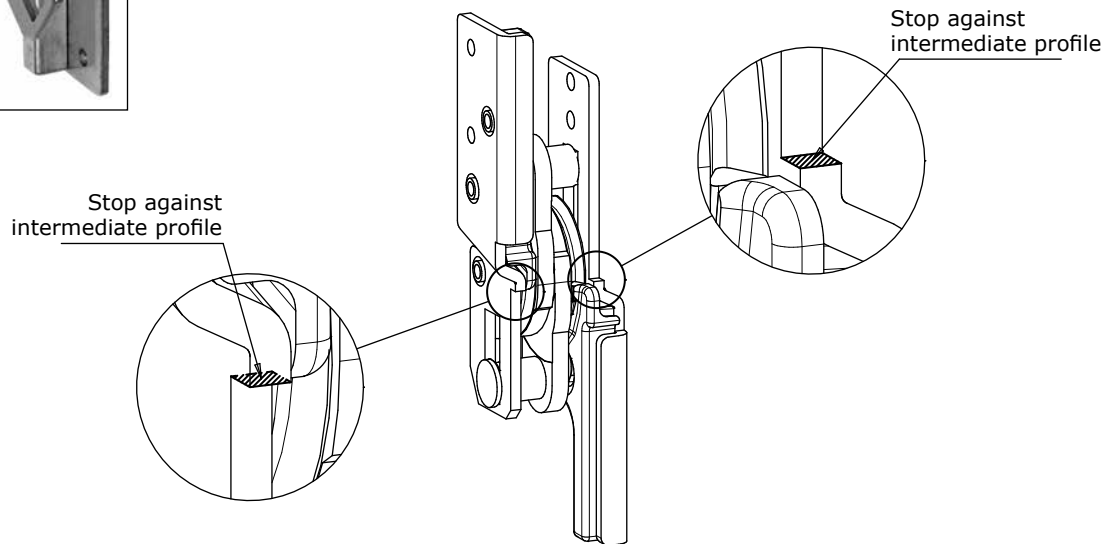
## CONCEALED PIVOTS SERIES 2500

### 4. Installation



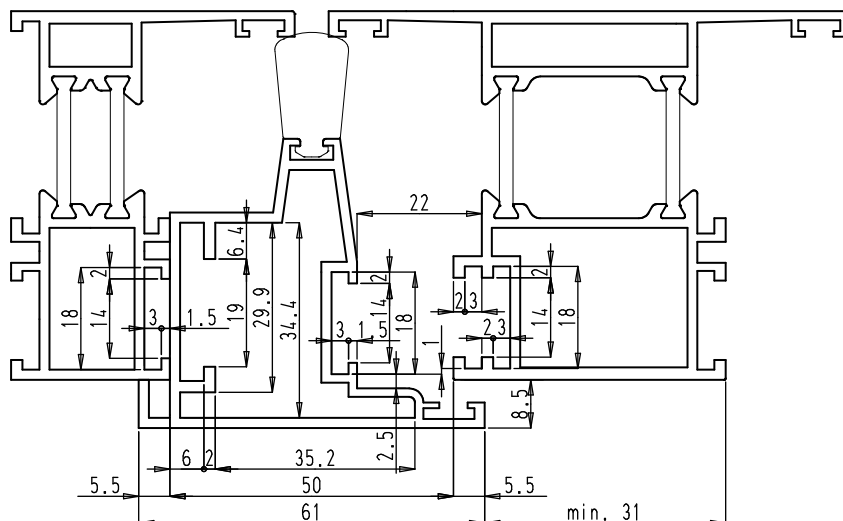
45° opening

- Quick and easy installation.
- The fixing screws and the way of fixing is profile related. We recommend to fix the pivots by means of blind rivnuts M6.
- The positioning in the profile is done by means of a stop on the pivot itself. This stop (edge) relies on the intermediate profile. See detail.



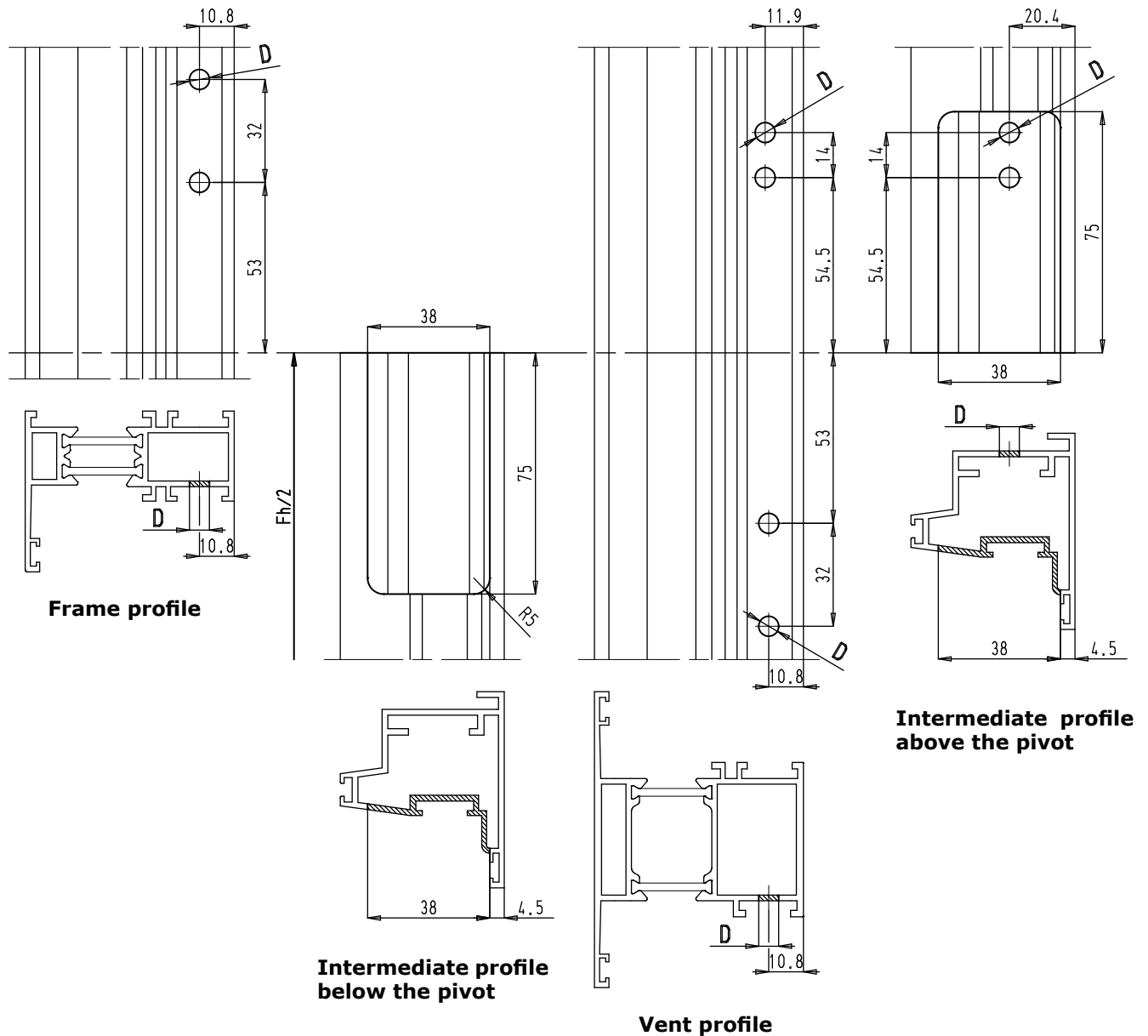
### Clamping plates

- On request and in so far as the profile is suitable, the pivots can be mounted with clamping plates. In most cases, the vent profile is provided with a double groove. The clamping plates are mounted in the upper vent groove.





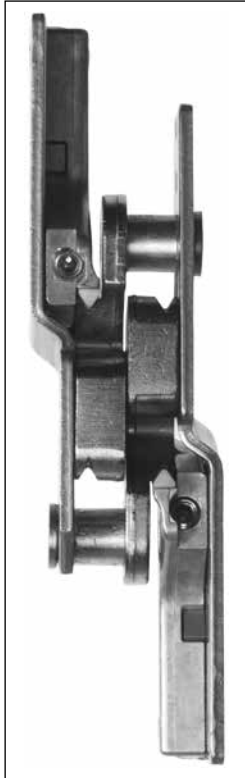
## 5. Preparations



- The milling of the intermediate profile is only indicative. This must be studied for each profile.
- Drill holes D for the M6 fixings:
  - With blind rivnuts:  $\varnothing 9.1$  mm
  - With clamping plates in the profile tube:  $\varnothing 6.2$  mm



## 6. Installation example



Left hand pivot

