



**PROJECT-OUT WINDOWS
AND TOP HUNG WINDOWS**



F12.12
HINGE N° 26140-756

01.09.2013



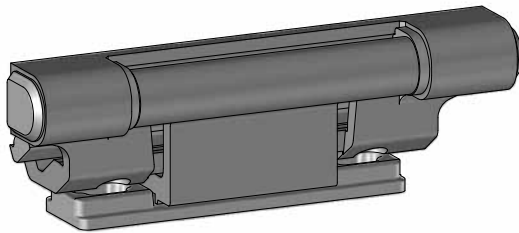
CONTENTS

| | |
|--------------------------|------------------|
| 1. Hinge..... | F12.12.03 |
| 1.1. General information | F12.12.03 |
| 1.2. Composition | F12.12.03 |



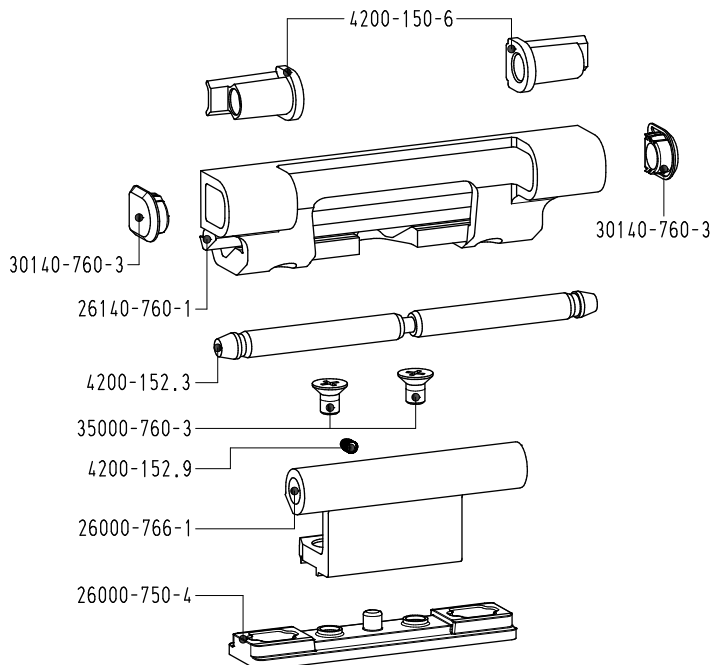
1. Hinge

1.1. General information



- Three-part window hinge for top hung open out windows and suitable to mount on the outside.
- The hinge is secured by means of a security pin to prevent removal of the hinge pin.
- Finish: aluminium anodised or polyester powder coated in more than 450 RAL colours.
- Vent dimensions:
 - Maximum vent weight: 75 kg
 - Vent width max. 1200 mm: 2 hinges
 - Vent width 1200-1800 mm: 3 hinges
 - Vent width 1800-2400 mm: 4 hinges

1.2. Composition



| Hinge n° 26140-756 | | |
|--------------------|-------------|---------------------|
| 2 | 4200-150.6 | bush |
| 1 | 4200-152.3 | hinge pin |
| 1 | 4200-152.9 | security pin |
| 1 | 26000-750-4 | clamping plate |
| 1 | 26000-766-1 | vent part |
| 1 | 26140-760-1 | frame part |
| 2 | 30140-760-3 | cap |
| 2 | 35000-760-3 | screw for vent part |

