



---

**PROJECT-OUT WINDOWS  
AND TOP HUNG WINDOWS**

---



**F11.14**  
**HANDLES  
AND LOCKCASE**

01.06.2018



---

## HANDLES AND LOCKCASE

---

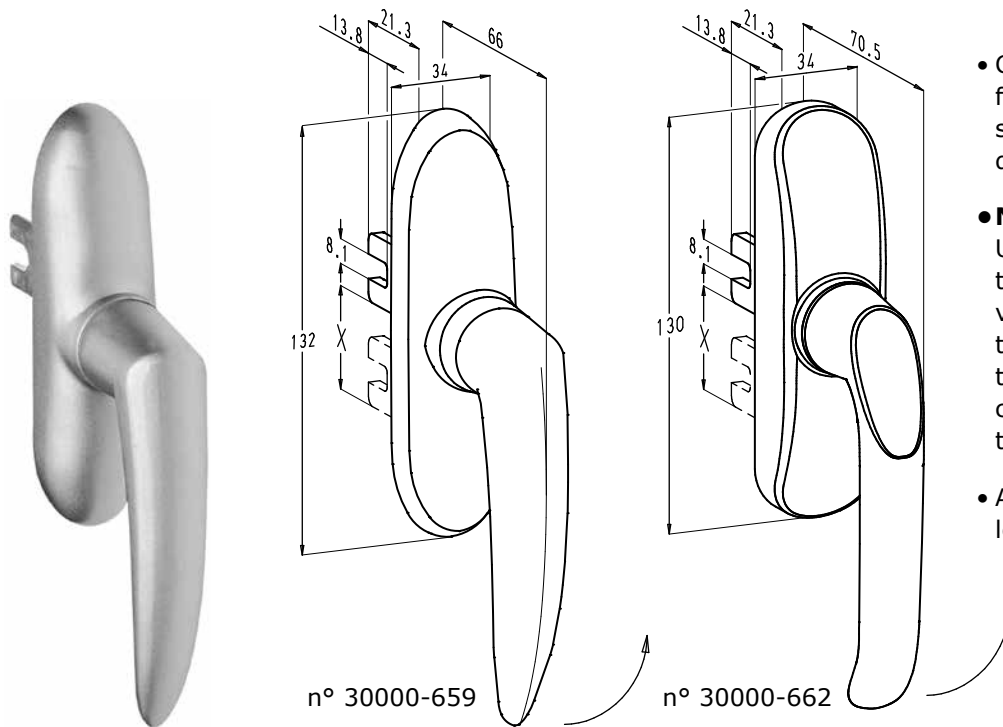
### CONTENTS

<b>1. Chrono handles</b> .....	F11.14.03
1.1. Standard handles	F11.14.03
1.2. Order table	F11.14.04
1.3. Variant handles	F11.14.04
1.4. Installation example	F11.14.05
1.5. Profile preparations	F11.14.05
<b>2. Handles series 502, 503, 5020 and 5030</b> .....	F11.14.06
2.1. Models	F11.14.06
2.2. Profile preparations	F11.14.07
2.3. Installation example	F11.14.07
<b>3. Sobinox handles</b> .....	F11.14.08
3.1. General	F11.14.08
3.2. Handles with oval backplate	F11.14.09
3.3. Handles with rectangular backplate	F11.14.10
<b>4. Horizon and Edge handles</b> .....	F11.14.11
<b>5. Lockcase n° SLT1506L or R</b> .....	F11.14.12
5.1. General information	F11.14.12
5.2. Installation example	F11.14.12



# 1. Chrono handles

## 1.1. Standard handles

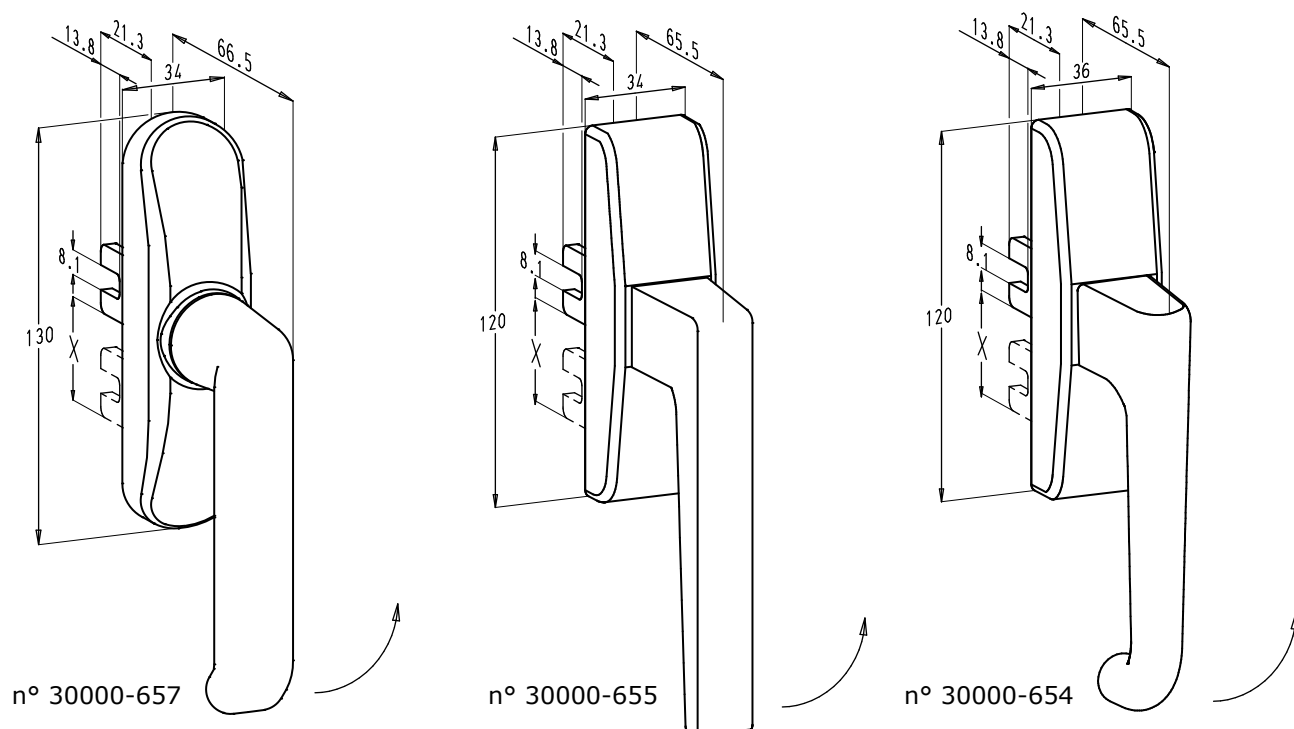


• Chrono handles, also used for turn-tilt windows and side hung open in windows.

• **Note:** Usually the 'T' version of the handle must be provided. In this case the grip turns in the opposite direction. This is necessary because otherwise the grip turns towards the glass.

• Available with several fork lengths.

- Throw X=17 mm by turning the grip 90°.
- Finish:
  - n° 30000-659-.., -662-.. and -657-..: grip in aluminium and base in zinc alloy, always polyester powder coated.
  - n° 30000-655-.. and -654-..: grip and base in aluminium anodised or polyester powder coated.
  - more than 450 RAL colours.
- Possible fixing holes: see page F11.14.05.

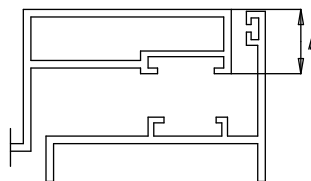




## HANDLES AND LOCKCASE

**1.2. Order table**

- The handles are available with different fork lengths.



Handles with longer fork						
					Fork length L (mm)	Distance A (mm)
30000-654	30000-655	30000-657	30000-659	30000-662	21.3	15-20
4000-214	4000-215	4000-217	4000-219	-	24.5	18-23
30000-654-26	30000-655-26	30000-657-26	30000-659-26	30000-662-26	26	19-24
30000-654-29	30000-655-29	30000-657-29	30000-659-29	30000-662-29	29	22-27
30000-654-32	30000-655-32	30000-657-32	30000-659-32	30000-662-32	32	25-30
30000-654-35	30000-655-35	30000-657-35	30000-659-35	30000-662-35	35	28-33
30000-654-38	30000-655-38	30000-657-38	30000-659-38	30000-662-38	38	31-36

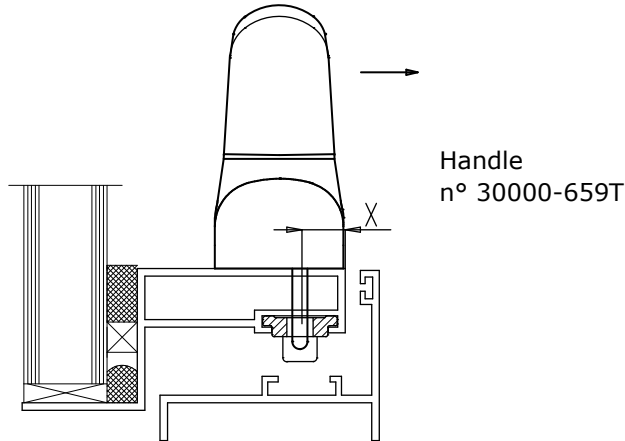
**1.3. Variant handles**

- All handles are available in the following variant versions:
  - Handles version 'S': e.g. 30000-659S-29
  - Cylinder locking handle (version CYL): e.g. 30000-659CYL-29
  - Handle with square hole 8x8 mm (version V) to operate with loose grip n° 505: e.g. 30000-659V-29
  - Handle with special opening (version W) to operate with key n° 505W: e.g. 30000-659W-29
  - With grip turning in the opposite direction (version T): e.g. 30000-659T-29





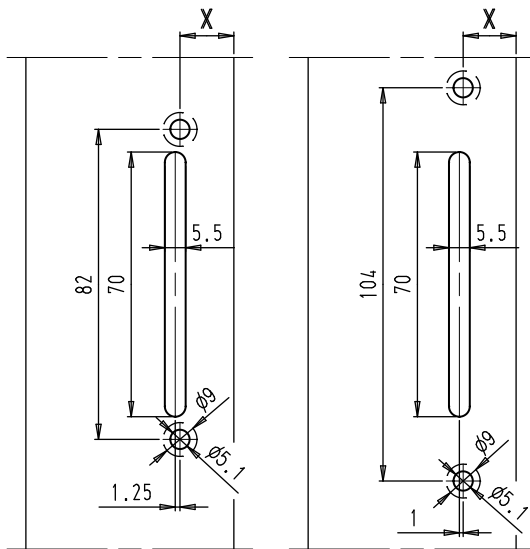
### 1.4. Installation example



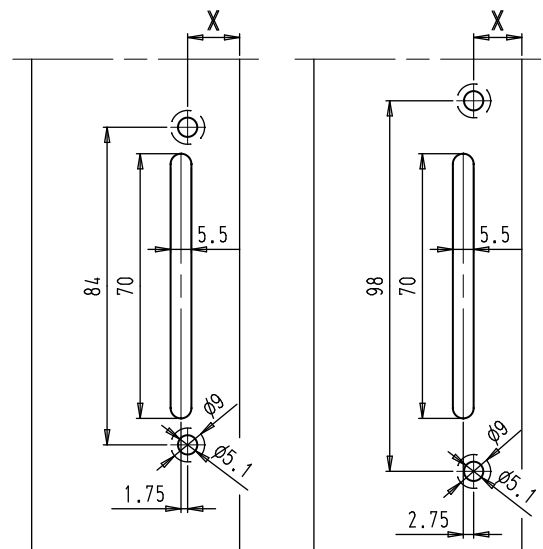
### 1.5. Profile preparations

- Dimension 'X' is the distance to the edge of the vent profile.

#### Standard handles



#### Handles version 'S'



- Holes  $\varnothing 9$  mm have to be drilled in the vent groove to insert the fixing screws.



HANDLES AND LOCKCASE

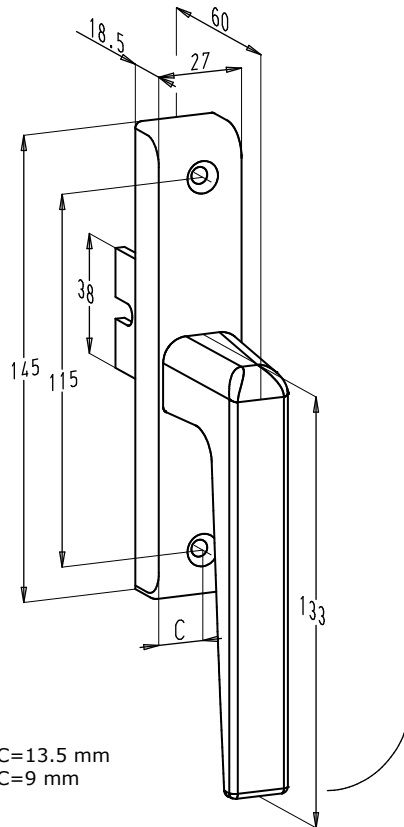
## 2. Handles series 502, 503, 5020 and 5030

### 2.1. Models

- More information about these handles, see chapter H13.11.

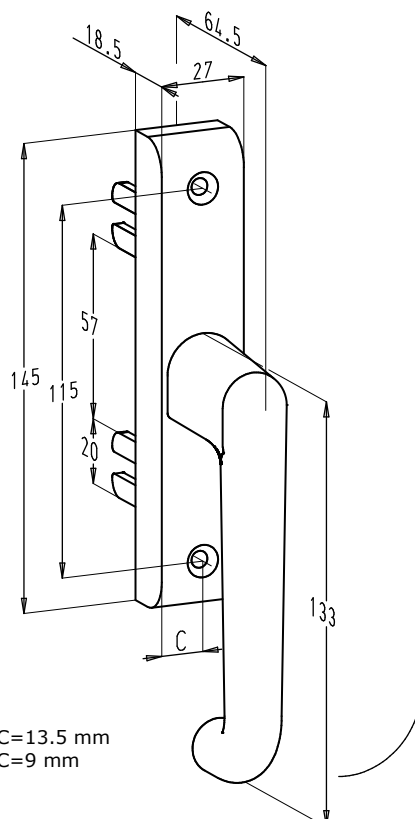
**Series 502 (photo)**

**Series 5020**



**Series 503**

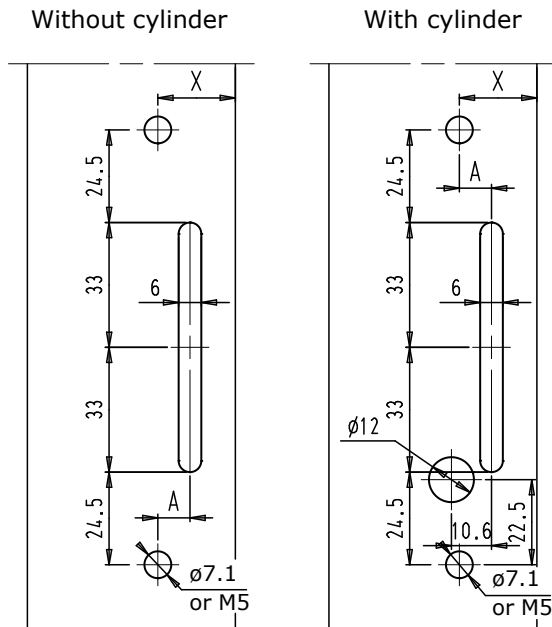
**Series 5030 (photo)**



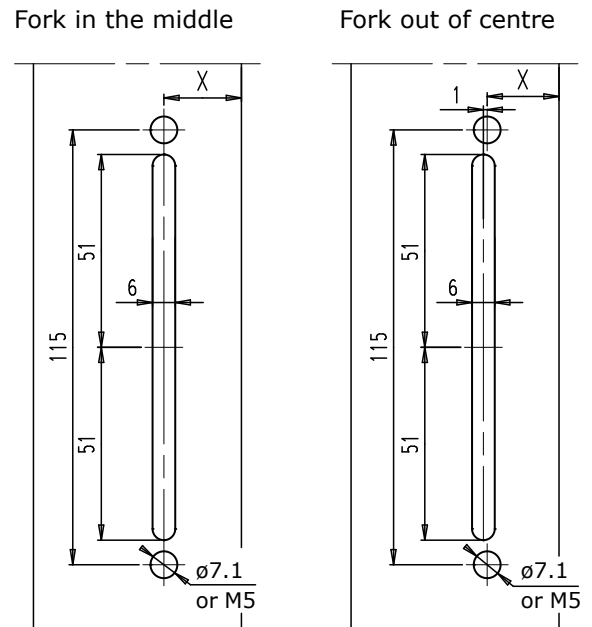


## 2.2. Profile preparations

### With 1 fork (502 and 5020)



### With 2 forks (503 and 5030)

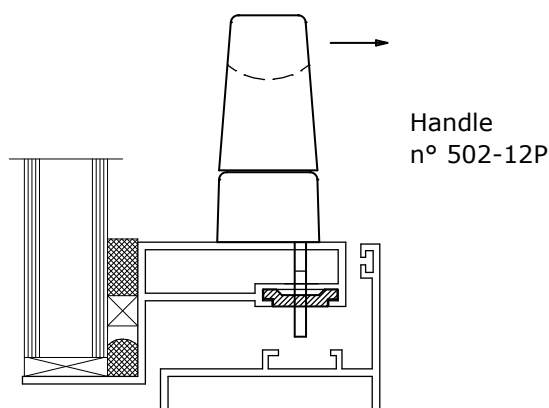


Standard: A=8.5 mm  
B-version: A=4 mm

- Only the handles with 1 fork are possible with cylinder.
- Dimension 'X' is the distance to the edge of the vent profile.
- The handles are preferably fixed with blind rivnuts. Therefore you must drill holes with diameter  $\phi 7.1$  mm. Fixing holes M5 when you fix directly in the profile.

## 2.3. Installation example

- Usually the 'P' version of the handle must be provided. In this case the grip turns in the opposite direction. This is necessary because otherwise the grip turns towards the glass.
- The handle is connected directly to the aluminium rods.





---

## HANDLES AND LOCKCASE

---

### 3. Sobinox handles

#### 3.1. General

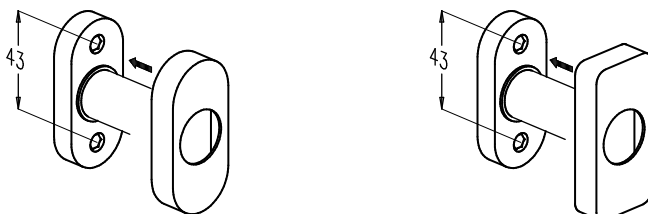
##### Characteristics

- The Sobinox handles are manufactured from high-grade stainless steel AISI 304 and are supplied with a satin finish.
- These handles can be used in many different sectors due to their aesthetic, practical, maintenance friendly and hygienic properties: e.g. domestic houses, hospitals, catering, industry, ... .
- The grips are available in different types and can be supplied with an oval or rectangular short backplate.
- The handles are supplied with a steel zinc plated square spindle of 7 mm, available in lengths of 25 and 38 mm.
- Some handles are available in aluminium (AL), anodised or polyester powder coated in more than 450 RAL colours.
- Handles with cylinder (1852CYL and 1857CYL) are also available.
- To use in combination with lockcase n° SLT1506L or R: see page F11.14.11.

##### Maintenance instructions

- Maintenance should be carried out at suitable intervals to prevent surface corrosion and for reasons of hygiene.
- Normal maintenance
  - Clean the stainless steel parts regularly.
  - Treat the surface with soapy water or with a mild detergent.
  - Rinse off the detergent with clean water.
  - Polish with a soft cloth or sponge.
- Never use
  - Scouring powders
  - Steel wool or steel brushes
  - Highly abrasive materials

##### Fixing short backplate



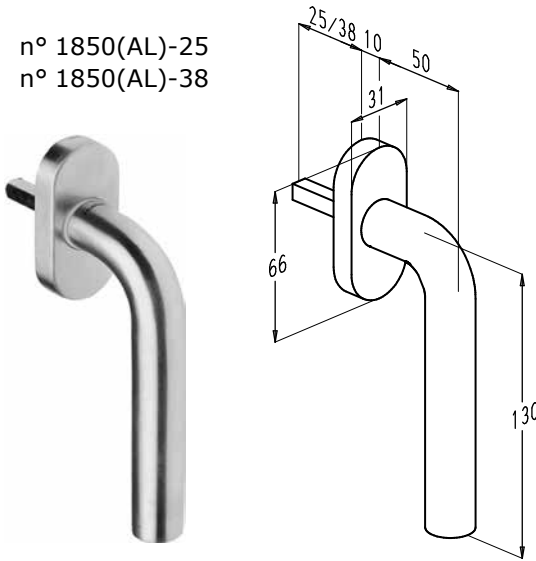




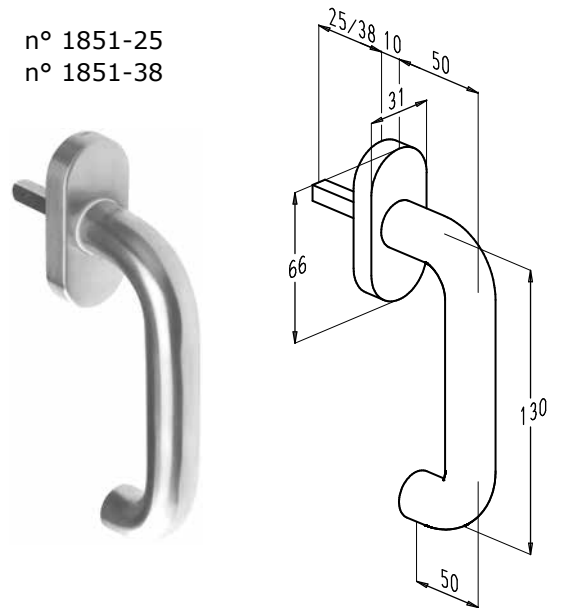
HANDLES AND LOCKCASE

3.2. Handles with oval backplate

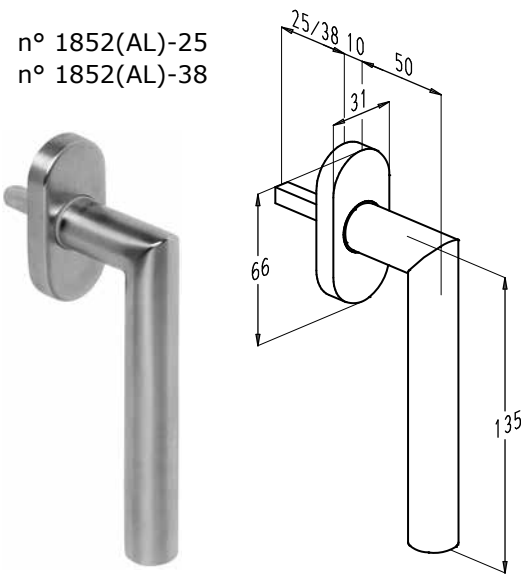
n° 1850(AL)-25  
n° 1850(AL)-38



n° 1851-25  
n° 1851-38



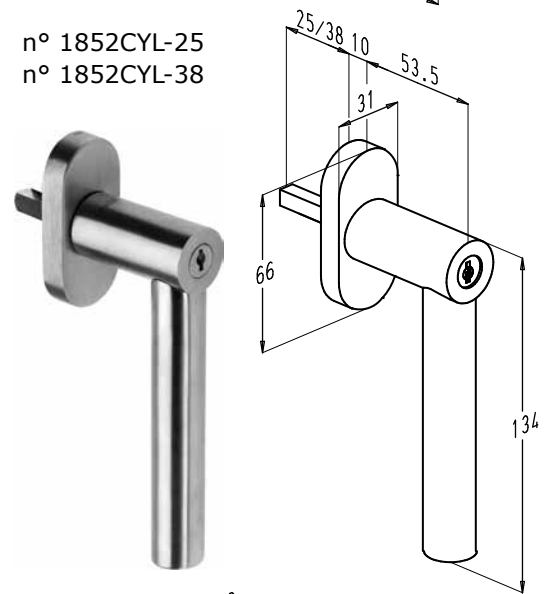
n° 1852(AL)-25  
n° 1852(AL)-38



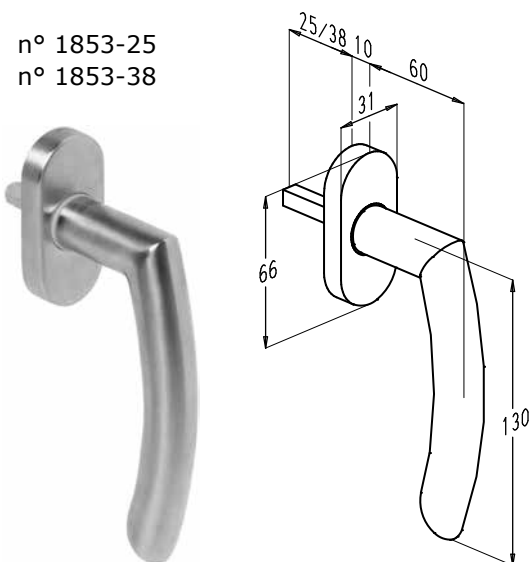
n° 1752-25  
n° 1752-38



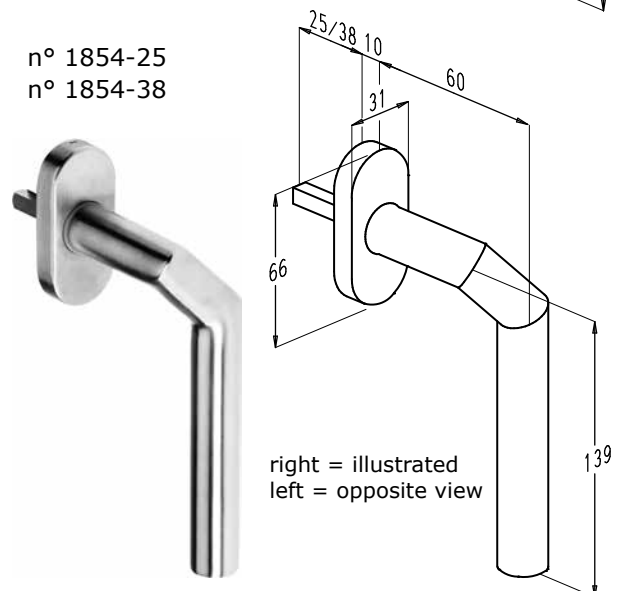
n° 1852CYL-25  
n° 1852CYL-38



n° 1853-25  
n° 1853-38



n° 1854-25  
n° 1854-38



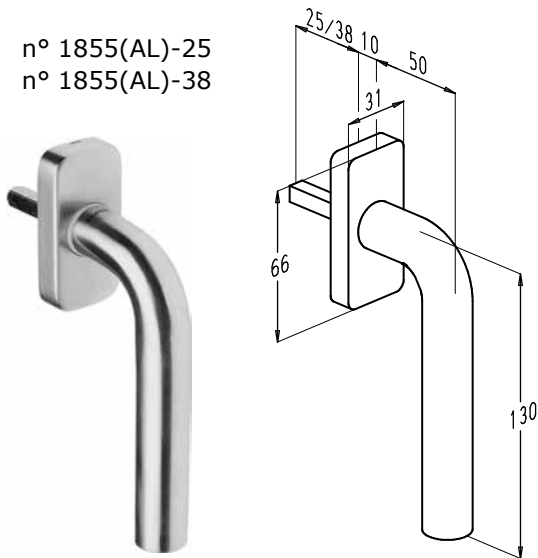
right = illustrated  
left = opposite view



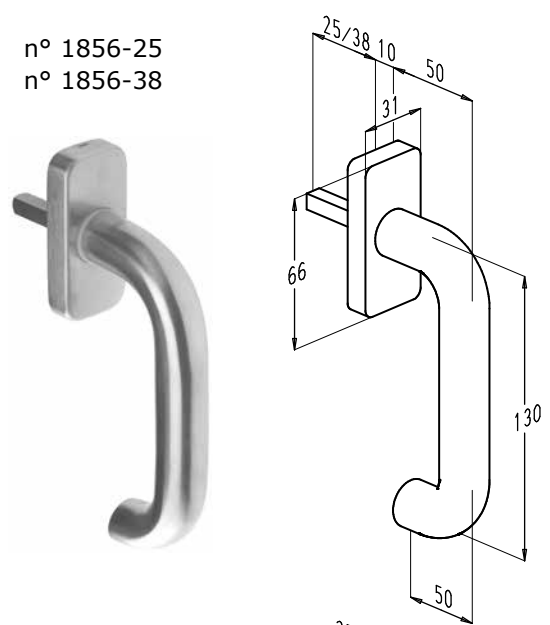
HANDLES AND LOCKCASE

3.3. Handles with rectangular backplate

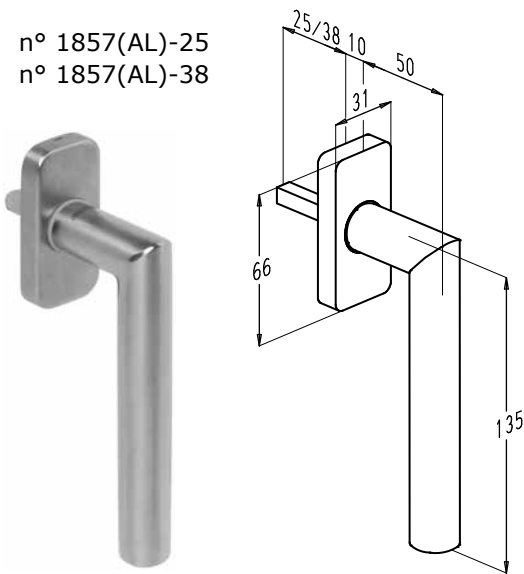
n° 1855(AL)-25  
n° 1855(AL)-38



n° 1856-25  
n° 1856-38



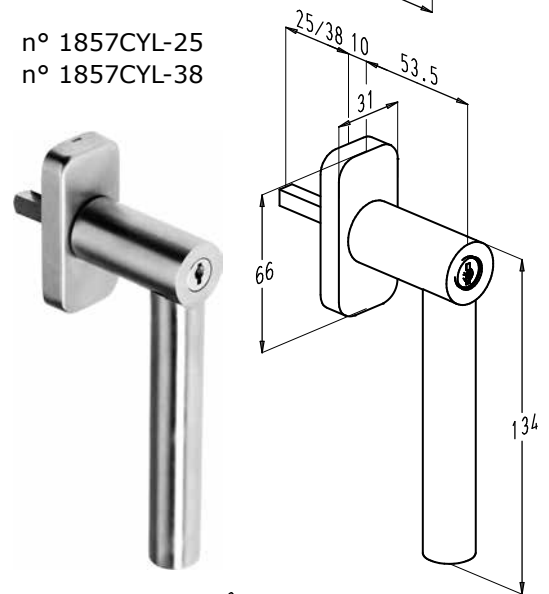
n° 1857(AL)-25  
n° 1857(AL)-38



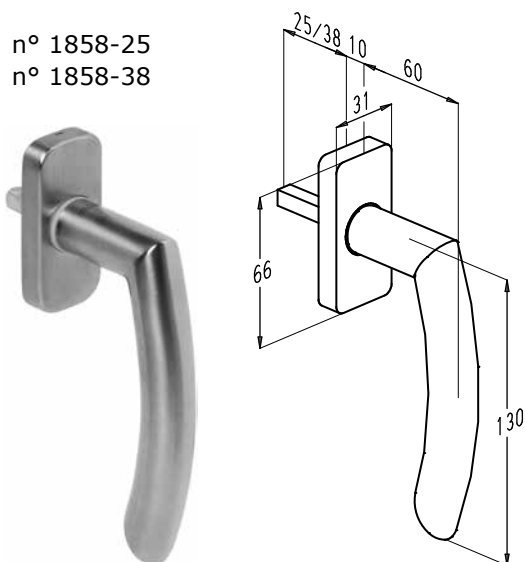
n° 1757-25  
n° 1757-38



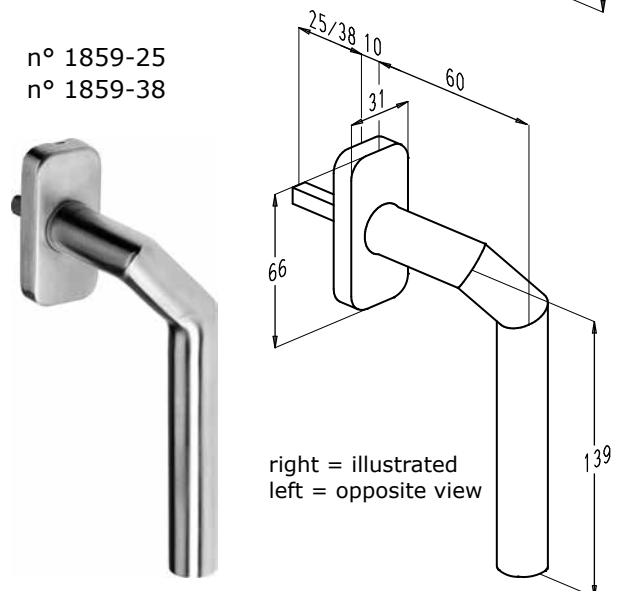
n° 1857CYL-25  
n° 1857CYL-38



n° 1858-25  
n° 1858-38



n° 1859-25  
n° 1859-38

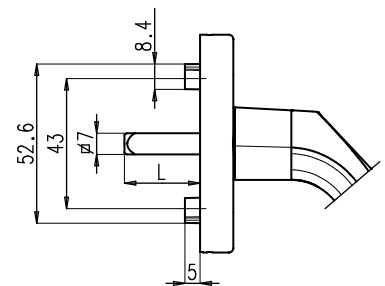
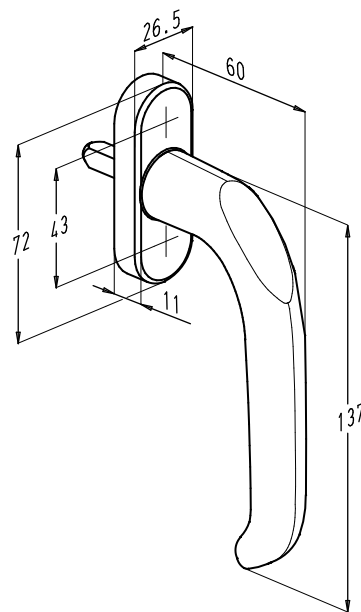




## 4. Horizon and Edge handles

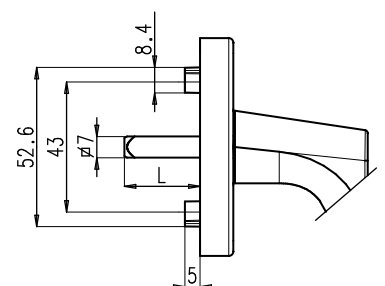
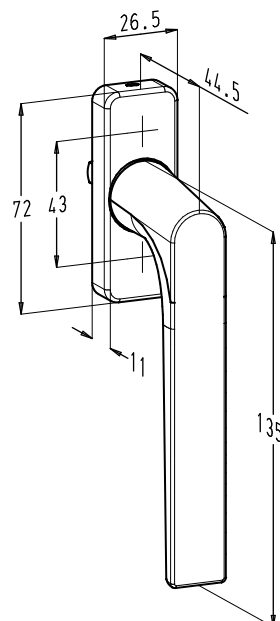
- The Horizon handles and the Edge handles have the same design as the corresponding door handles. So these handles can be used next to one another with the advantage of having the same appearance.
- Materials:
  - grip: aluminium
  - backplate: zinc alloy
  - cover: aluminium
  - finish: anodised or polyester powder coated in more than 450 RAL colours
- To use in combination with lockcase n° SLT1506L or R.

### Horizon handle



Order code	Spindle length L
<b>30000-680</b>	25 mm
<b>30000-680-38</b>	38 mm

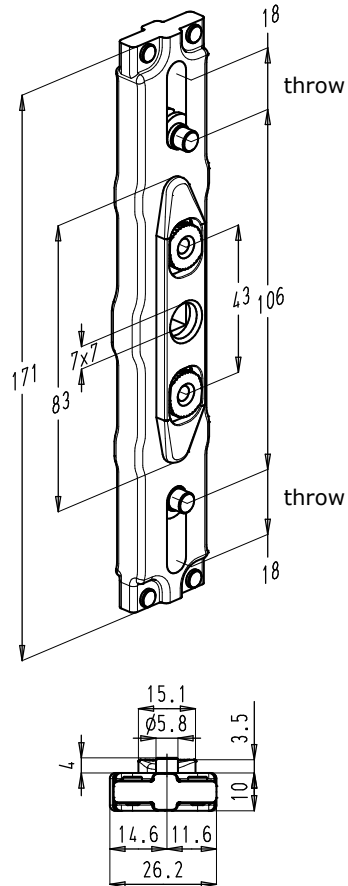
### Edge handle



Order code	Spindle length L
<b>30000-682</b>	25 mm
<b>30000-682-38</b>	38 mm

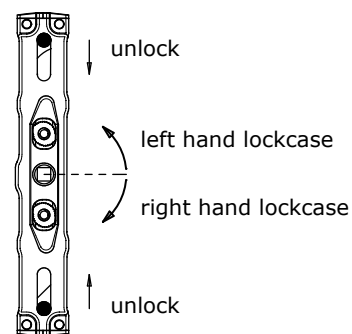


## HANDLES AND LOCKCASE

**5. Lockcase n° SLT1506L or R****5.1. General information**

- Compact clampable lockcase for eurogroove 15/20 mm, to operate with a handle with square spindle of 7 mm.
- Materials: synthetic material and austenitic stainless steel AISI 304 and 316. Corrosion resistance class 5 in accordance with the European standard EN 1670.
- Easy installation:
  - the lockcase is positioned on the vent groove
  - the plastic piece is clamped in the groove by turning the toothed bushes.
  - the bushes can be turned by a 5 mm hexagonal key.
- Connection with the aluminium rods by means of the  $\varnothing 6$  mm drive pins. Throw 18 mm when turning the handle 90°.
- Position drive pins:
  - Unlocked position: drive pins at 106 mm (illustrated).
  - Locked position: pins at 142 mm.
- Cycle test up to 30,000 cycles.

- The lockcase is left hand (L) or right hand (R):
  - Left hand lockcase: turn the handle counter-clockwise to unlock.
  - Right hand lockcase: turn the handle clockwise to unlock.

**5.2. Installation example**