



BOTTOM HUNG OPEN IN WINDOWS



E13.12 SIDE ARMS

01.02.2017



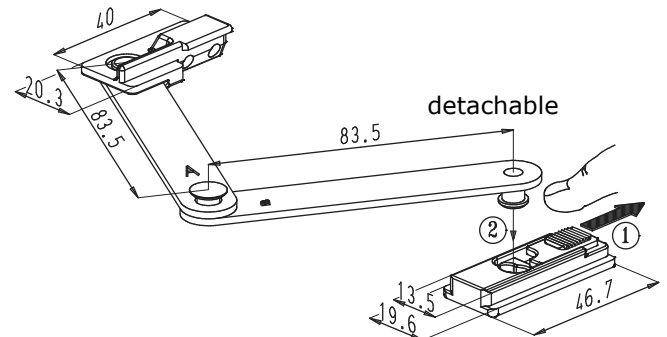
SIDE ARMS

CONTENTS

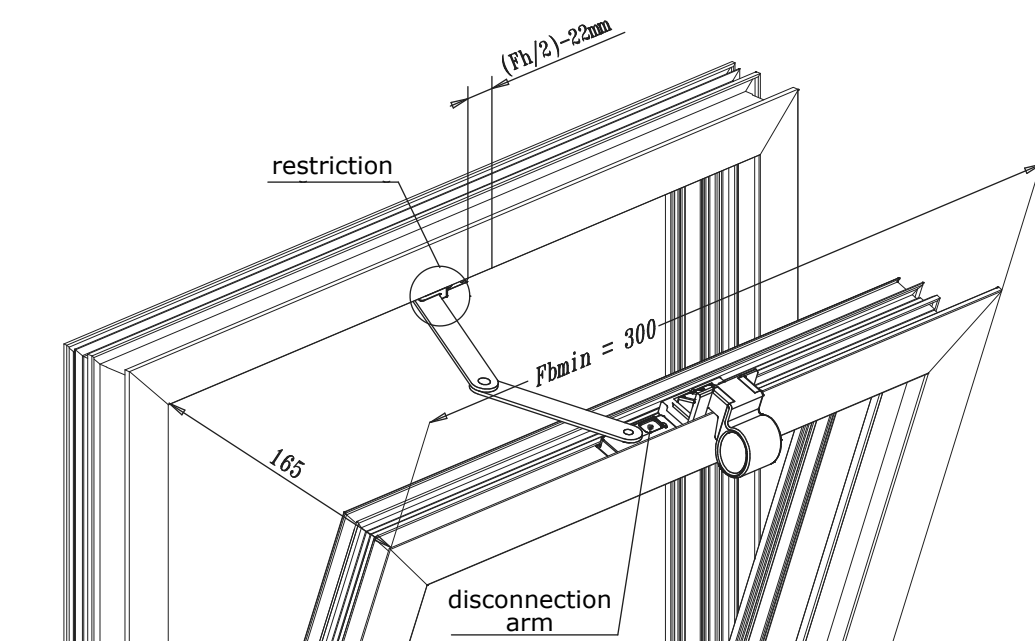
| | |
|---|-----------|
| 1. Top arm n° 40140-550 | E13.12.03 |
| 2. Chrono top arms n° 45140-.... | E13.12.04 |
| 2.1. Top arms n° 45140-552 and 45140-553 | E13.12.04 |
| 2.2. Top arms n° 45140-550 and 45140-551 | E13.12.04 |
| 3. Side arms series 722 and 732 | E13.12.05 |
| 4. Side arms series 718 and 719 | E13.12.06 |
| 5. Side arms n° 710, 715 and 716 | E13.12.07 |
| 6. Side arms series 717 | E13.12.08 |



1. Top arm n° 40140-550

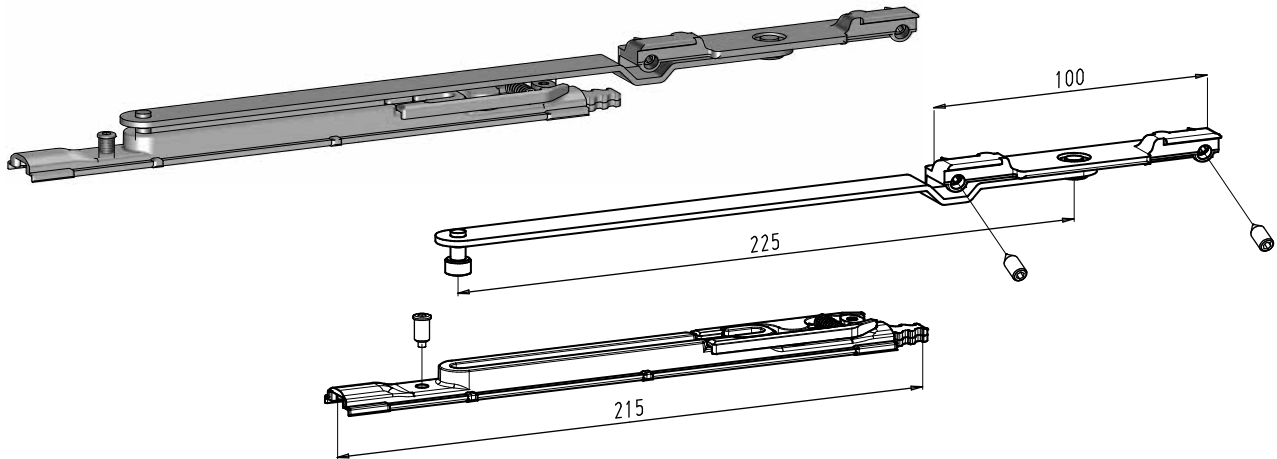


- The window stay should be mounted at the top of the window.
- Very quick installation of the window stay by clamping in the euro-groove: vent groove 15/20 mm and frame groove of 10 to 14 mm.
- This window stay in combination with the appropriate spring catch n° 40100-650 offers the ideal solution for small tilt windows with easy operation.
- The window stay is detachable to open the vent completely. The arm of the window stay can be disconnected very easily by means of a spring loaded retaining button.
- Size range:
 - Vent width: 300-1000 mm
 - Maximum vent height: 1200 mm
 - Maximum vent weight: 50 kg
 - Vent opening: 165 mm
- Windows with vent width from 1000 mm to 1400 mm must be provided with 2 top arms.
- Finish: the window stay is entirely made of non-corroding materials.

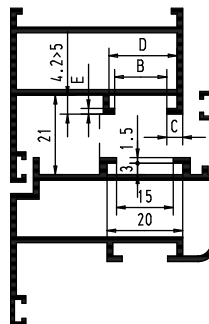




SIDE ARMS

2. Chrono top arms n° 45140-...**2.1. Top arms n° 45140-552 and 45140-553****Characteristics**

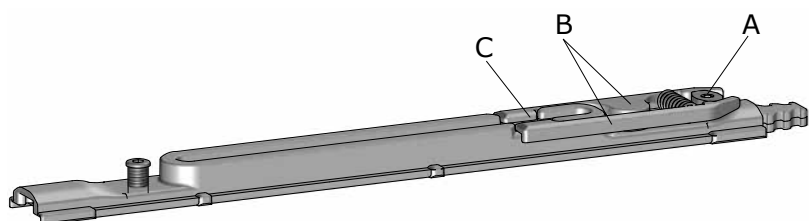
- The top arm can be mounted horizontally or vertically and is non-handed. You only require one horizontal top arm instead of two vertical side arms.
- The top arm n° 45140-553 has an incorporated spring to hold vent in tilt position. This spring ensures the tilted window does not slam shut due to sudden pressure changes caused by opening another window or door..
- Track and fixing plate are fixed by grub screws in stainless steel.
- Track and fixing plate in zinc alloy, arm and rivets in stainless steel.
- The top arm can be fitted on windows with vent width up to 1800 mm.
- Maximum vent weight: 90 kg.
- The top arm is suitable for sections with frame groove width from 10 to 14 mm: see table.



| B | C | D | E |
|------|-----|------|-----|
| 13,8 | 4,2 | 18 | 1,5 |
| 12,5 | 3,9 | 16,8 | 1,5 |
| 12,1 | 2,9 | 15,3 | 1,5 |
| 10 | 4,2 | 14,8 | 1,5 |
| 14,1 | 4,2 | 18,5 | 2,5 |
| 13,5 | 3,5 | 17,5 | 2,5 |

Disconnection arm:

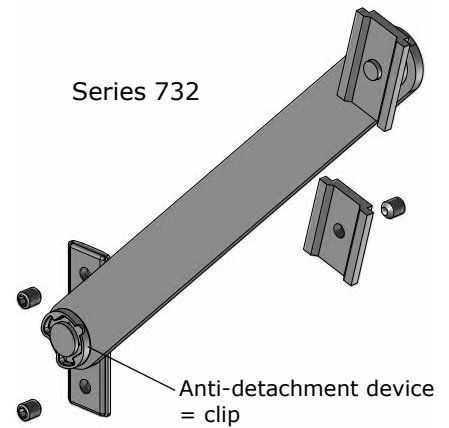
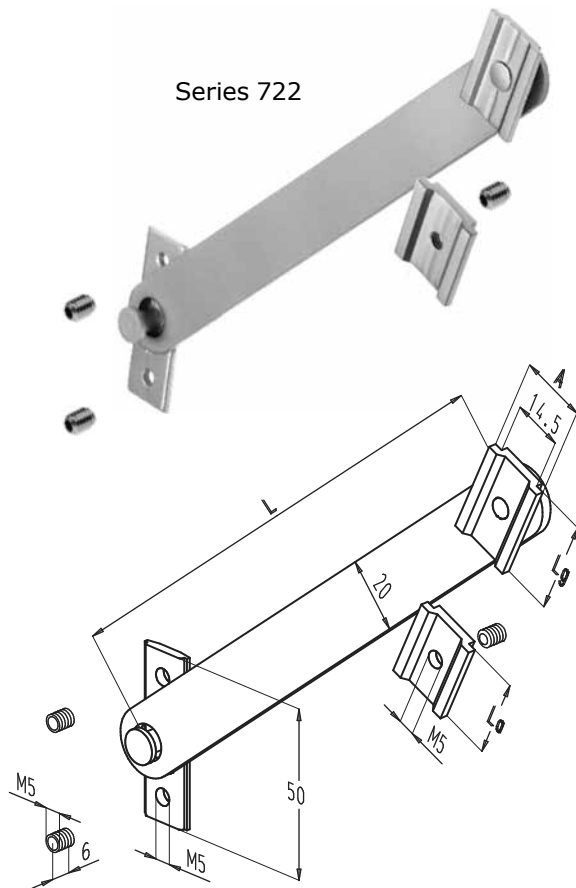
- Turn button A 90° with an allen key.
- Push the 2 levers B together.
- Detach the arm at position C.

**2.2. Top arms n° 45140-550 and 45140-551**

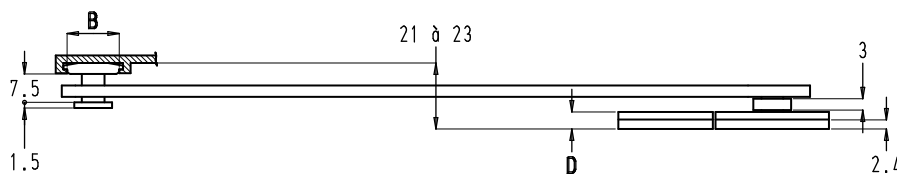
- The top arms n° 45140-550 and 45140-551 are exclusively used with the CHRONO tilt systems: see chapter E11.11.
- The top arm is operated by a horizontal or vertical mounted handle.
- The top arms have the same characteristics as the top arms n° 45140-552 and 45140-553.



3. Side arms series 722 and 732



- Very quick installation of the side arms because they are fully clampable. The side arms are non-handed.
- The side arms are detachable to fully open the vent. The series 732 is provided with a clip which serves as an anti-detachment device.
- The 3 grub screws in stainless steel are included.
- Hookable fixing plate in zinc alloy, supplied in different sizes, depending on the frame groove width.



| Series 722 | Series 732 | L | A | B | D | La | Lg |
|-------------|------------|-----|------|------|-----|----|----|
| 722-8-80 | 732-8-80 | 80 | 19,5 | 13,8 | 4,5 | 25 | 30 |
| 722-8-180 | 732-8-180 | 180 | 19,5 | 13,8 | 4,5 | 25 | 30 |
| 722-8-500 | - | 500 | 19,5 | 13,8 | 4,5 | 25 | 30 |
| 722-8C-180 | - | 180 | 19,5 | 13,8 | 4,5 | 25 | 30 |
| 722-9-80 | - | 80 | 22 | 17,6 | 3 | 22 | 22 |
| 722-9-180 | - | 180 | 22 | 17,6 | 3 | 22 | 22 |
| 722-10-80 | - | 80 | 19,5 | 12,4 | 4,5 | 25 | 30 |
| 722-10-180 | - | 180 | 19,5 | 12,4 | 4,5 | 25 | 30 |
| 722-11-80 | - | 80 | 19,5 | 15,4 | 4,5 | 25 | 30 |
| 722-11-180 | - | 180 | 19,5 | 15,4 | 4,5 | 25 | 30 |
| 722-11B-80 | - | 80 | 18 | 15,4 | 5 | 25 | 30 |
| 722-11B-180 | - | 180 | 18 | 15,4 | 5 | 25 | 30 |
| 722-12-80 | - | 80 | 19,5 | 11,9 | 4,5 | 25 | 30 |
| 722-12-180 | - | 180 | 19,5 | 11,9 | 4,5 | 25 | 30 |
| 722-13-80 | 732-13-80 | 80 | 19,5 | 9,9 | 4,5 | 25 | 30 |
| 722-13-180 | 732-13-180 | 180 | 19,5 | 9,9 | 4,5 | 25 | 30 |
| 722-19-80 | - | 80 | 25 | 20 | 3,5 | 25 | 30 |
| 722-19-180 | - | 180 | 25 | 20 | 3,5 | 25 | 30 |
| 722-19B-80 | - | 80 | 19,5 | 20 | 4,5 | 25 | 30 |
| 722-19B-180 | - | 180 | 19,5 | 20 | 4,5 | 25 | 30 |

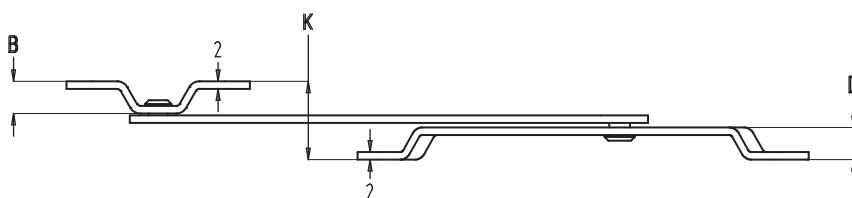
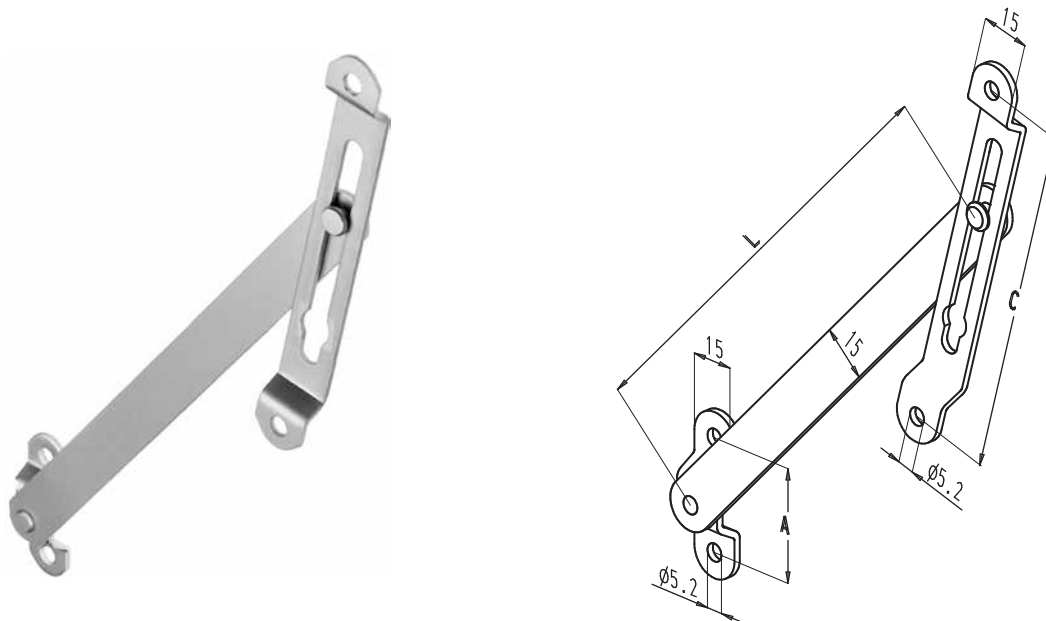
- Arm, sliding piece and stop plate in aluminium natural anodised, rivets in stainless steel.
- Maximum vent weight: 40 kg with a maximum opening of 170 mm.
- Other dimensions on request.
- Notes:
 - Side arm n° 722-8C-180 is not detachable.
 - Side arms n° 722-9 and n° 722-19 have a flat sliding piece and stop plate.



SIDE ARMS

4. Side arms series 718 and 719

- The side arms are detachable to fully open the vent.
- The side arms are non-handed.
- The side arms are made completely of stainless steel with narrow frame fixing plate and vent track, suitable particularly for PVC windows.
- Maximum vent weight: 80 kg with a maximum opening of 170 mm.



| Order code | Chamber size K | L | A | B | C | D |
|------------|-------------------|-----|------|------|-----|-----|
| 718A | 20 - 22 | 180 | 33.5 | 8.5 | 108 | 8.5 |
| 718B | 14 - 16 | 180 | 35 | 5.5 | 110 | 5.5 |
| 718D | 14 - 16 | 180 | 58 | 3 | 108 | 8.5 |
| 718E | 27 - 29 | 180 | 33.5 | 15.5 | 108 | 8.5 |
| 718F | 14 - 16 | 180 | 35 | 5.5 | 110 | 5.5 |
| 719A | 20 - 22 | 80 | 33.5 | 8.5 | 108 | 8.5 |
| 719B | 14 - 16 | 80 | 35 | 5.5 | 110 | 5.5 |
| 719D | 14 - 16 | 80 | 58 | 3 | 108 | 8.5 |

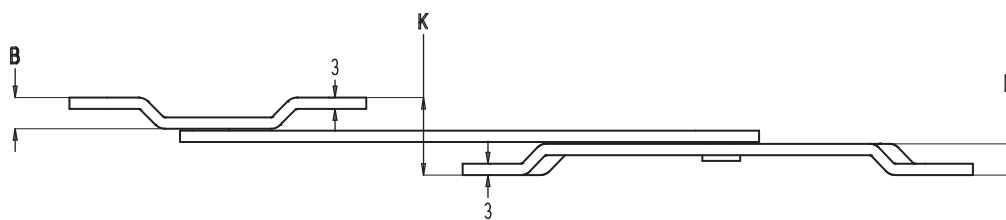
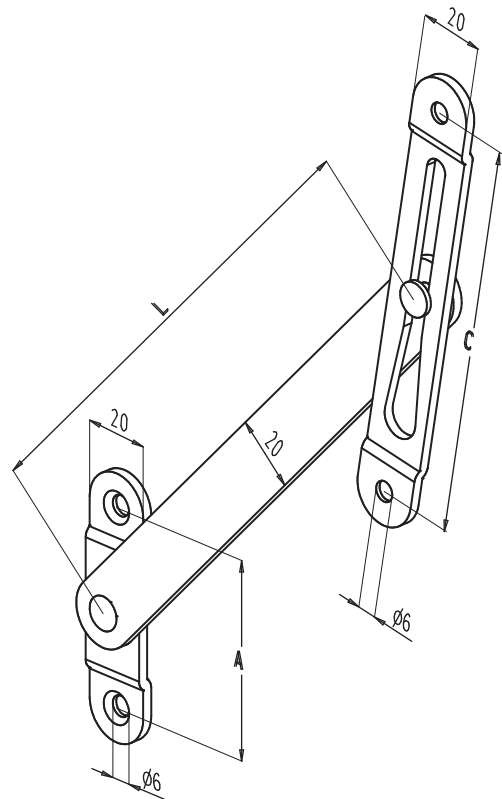
Other sizes on request.

- Note: side arm n° 718F is not detachable.



5. Side arms n° 710, 715 and 716

- The side arms are detachable to fully open the vent.
- The side arms are non-handed.
- Finish: aluminium natural anodised.
- Rivets in stainless steel.
- Maximum vent weight: 60 kg with a maximum opening of 170 mm.



| Order code | Chamber size K | L | A | B | C | D |
|------------|-------------------|-----|------|------|-----|-----|
| 710-80 | 12.5 | 80 | 58.5 | 4.5 | 119 | 4.5 |
| 710-180 | 12.5 | 180 | 58.5 | 4.5 | 119 | 4.5 |
| 715 | 20 | 180 | 56.5 | 8.25 | 117 | 8.2 |
| 716 | 20 | 80 | 56.5 | 8.25 | 117 | 8.2 |

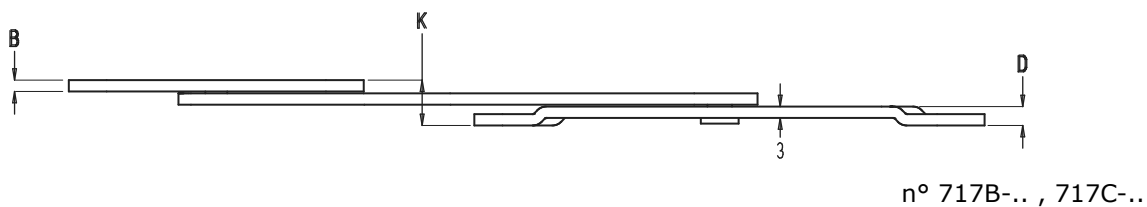
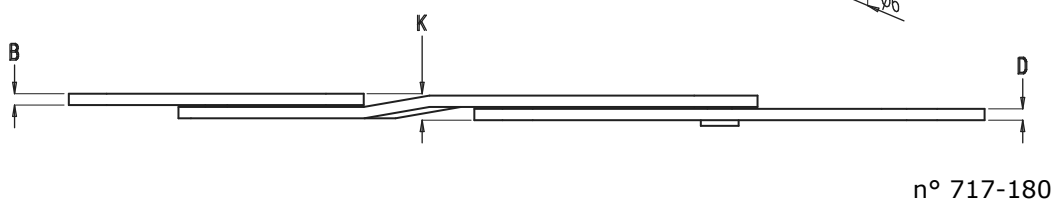
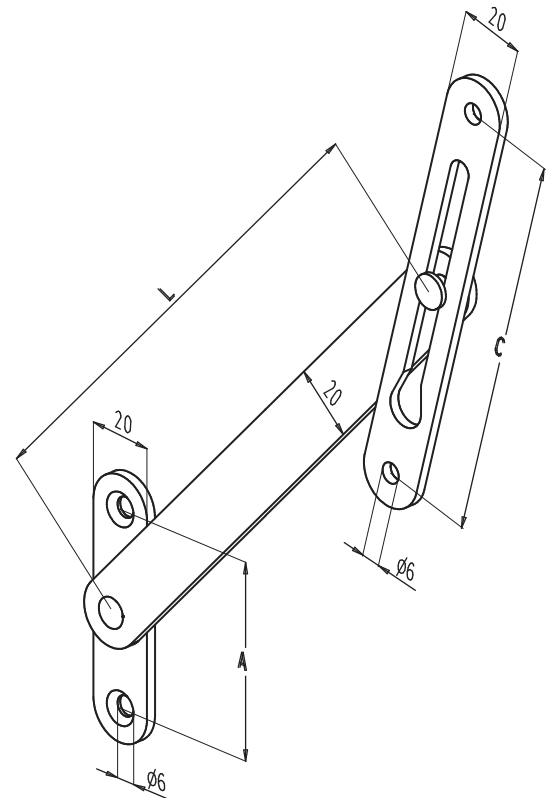
Other dimensions on request.



SIDE ARMS

6. Side arms series 717

- Side arms with small chamber size. The side arm n° 717-180 is provided with a cranked arm, so that the side arm can be used for sections with a chamber size of 7 mm.
- The side arms are non-handed.
- The side arms are detachable to fully open the vent.
- Finish: aluminium natural anodised.
- Rivets in stainless steel.
- Maximum vent weight: 60 kg with a maximum opening of 170 mm.



| Order code | Chamber size K | L | A | B | C | D |
|------------|-------------------|-----|----|---|-----|-----|
| 717-180 | 7 | 180 | 58 | 3 | 119 | 3 |
| 717B-80 | 10 | 80 | 58 | 3 | 119 | 3 |
| 717B-180 | 10 | 180 | 58 | 3 | 119 | 3 |
| 717C-80 | 12 | 80 | 58 | 3 | 119 | 4.5 |
| 717C-180 | 12 | 180 | 58 | 3 | 119 | 4.5 |

Other dimensions on request.