



BOTTOM HUNG OPEN IN WINDOWS



E13.11 SPRING CATCHES

01.02.2017



SPRING CATCHES

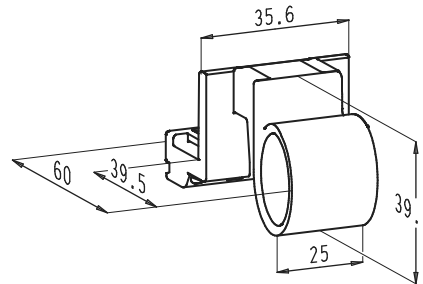
CONTENTS

1. Clampable spring catch n° 40100-650	E13.11.03
1.1. General characteristics	E13.11.03
1.2. Adjustment	E13.11.03
1.3. Push bar n° 40000-700 and n° 40000-1000	E13.11.04
1.4. Installation with link arm n° 40140-550	E13.11.04
2. Spring catch n° 703	E13.11.05
2.1. Spring catch n° 703	E13.11.05
2.2. Wedges n° 704-..	E13.11.05
2.3. Wedges n° 704-.. with thickness plate	E13.11.05
3. Spring catches n° 702	E13.11.06
3.1. Spring catch n° 702	E13.11.06
3.2. Wedges	E13.11.06
4. Application examples	E13.11.07



1. Clampable spring catch n° 40100-650

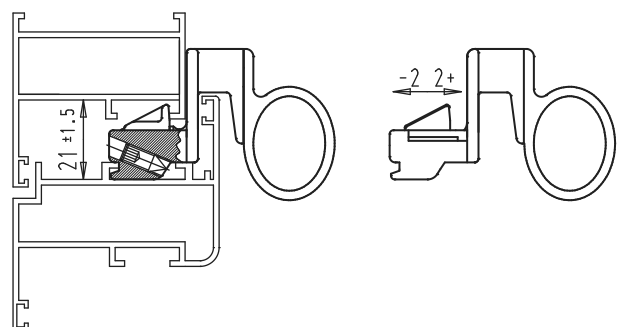
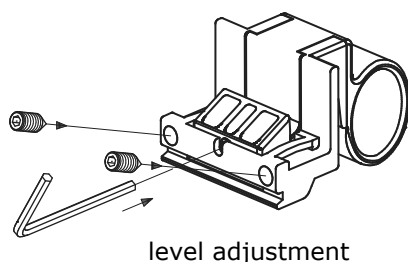
1.1. General characteristics



- Clampable spring catch with elegant shape.
- Very quick installation of the spring catch by clamping in the vent euro-groove 15/20 mm and frame groove of 10 to 14 mm.
- This spring catch in combination with the appropriate window stay n° 40140-550 offers the ideal solution for small tilt windows with easy operation.
- Shoot bolt in synthetic material: no damage to the frame section.
- The shoot bolt with flat closing surface engages 3.5 mm behind the frame profile. A frame keep is not required.
- Size range:
 - Vent width: 300-1000 mm
 - Maximum vent height: 1200 mm
 - Maximum vent weight: 50 kg
- Finish:
 - Housing and handle: zinc alloy, always polyester powder coated in a choice of more than 450 RAL colours.
 - Shoot bolt: black synthetic material

1.2. Adjustment

- Spring catch adjustment range:
 - Level adjustment: ± 2 mm
 - Inside gap tolerance: 21 mm ± 1.5 mm

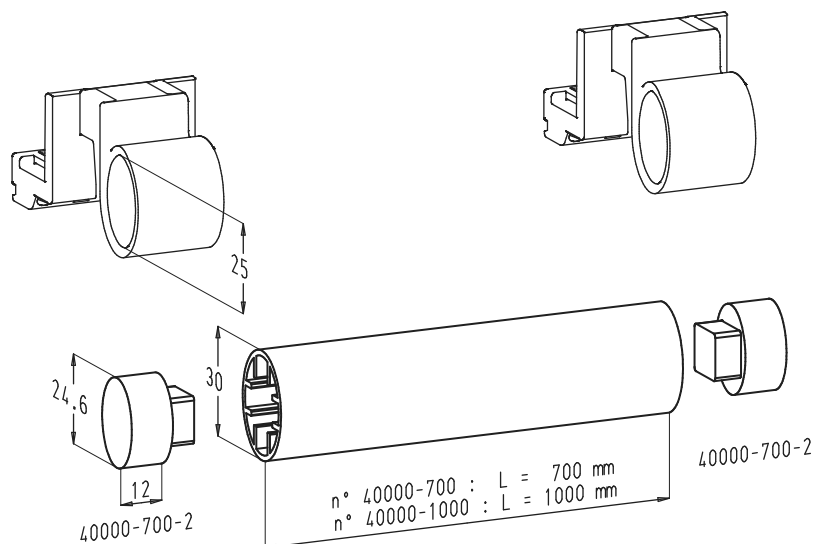




SPRING CATCHES

1.3. Push bar n° 40000-700 and n° 40000-1000

- Wide windows with 2 spring catches can be operated simultaneously by this oval connecting bar. In this case you also mount 2 link arms n° 40140-550.
- Size range:
 - Vent width: 1000-1400 mm
 - Maximum vent height: 1200 mm
 - Maximum vent weight: 50 kg
- Order code:
 - Push bar n° 40000-700: length 700 mm
 - Push bar n° 40000-1000: length 1000 mm
 - End piece n° 40000-700-2
- The bar and the end pieces are supplied separately so that the bar can be cut to length. Both should be ordered separately.
- Finish: end pieces and bar in aluminium, anodised or polyester powder coated in a choice of more than 450 RAL colours.



1.4. Installation with link arm n° 40140-550

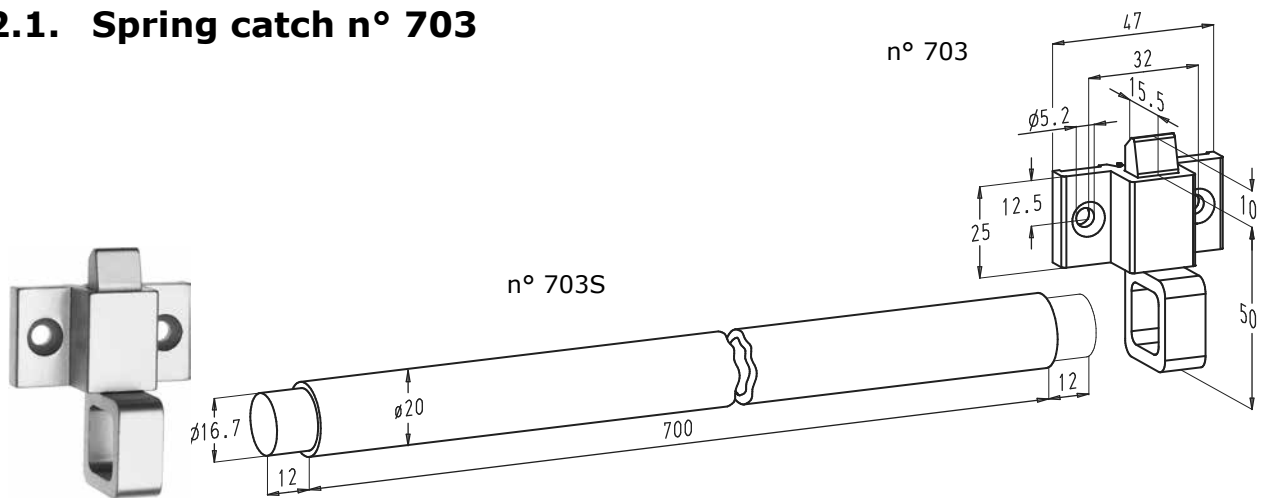
- More details about link arm n° 40140-550: see page E13.12.03.





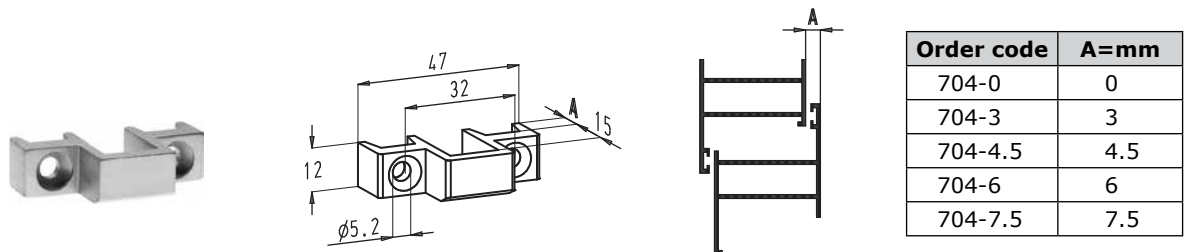
2. Spring catch n° 703

2.1. Spring catch n° 703



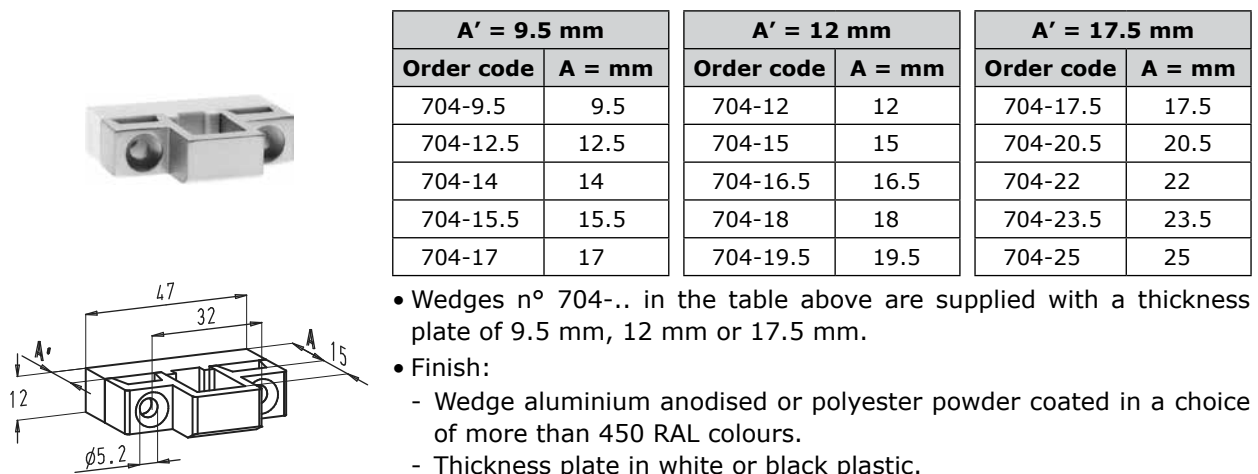
- The spring catch n° 703 can be used in combination with a large range of wedges n° 704-..., which makes it suitable for use on aluminium, PVC or timber windows.
- Control bar n° 703S at a length of 700 mm can be supplied for wide windows with 2 spring catches for simultaneous operation.
- Finish: aluminium anodised or polyester powder coated in a choice of more than 450 RAL colours.

2.2. Wedges n° 704-..



- The wedge selection is section related and is determined by dimension A, this is the depth difference between vent section and frame section in the closed position. For one-level sections dimension A = 0 mm.
- Finish: aluminium anodised or polyester powder coated in a choice of more than 450 RAL colours.

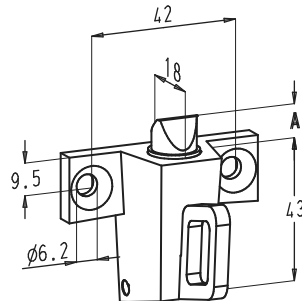
2.3. Wedges n° 704-.. with thickness plate



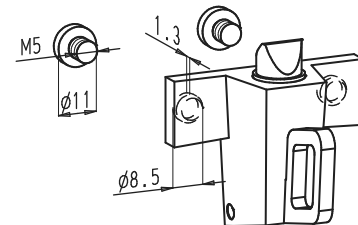
- Wedges n° 704-.. in the table above are supplied with a thickness plate of 9.5 mm, 12 mm or 17.5 mm.
- Finish:
 - Wedge aluminium anodised or polyester powder coated in a choice of more than 450 RAL colours.
 - Thickness plate in white or black plastic.



SPRING CATCHES

3. Spring catches n° 702**3.1. Spring catch n° 702**

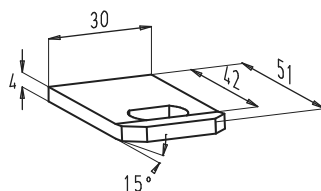
n° 702



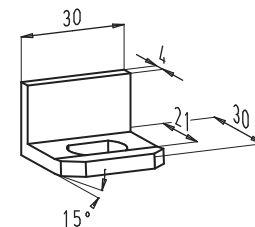
n° 702 VI

- Shoot bolt in grey or black plastic.
- Spring catch n° 702 VI is supplied with special screws for invisible fixing.
- Finish: aluminium anodised or polyester powder coated in a choice of more than 450 RAL colours.

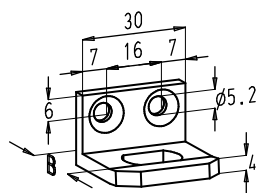
Order code	A = mm
702	10
702 VI	10

3.2. Wedges

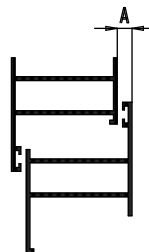
n° 705



n° 707



n° 709-..



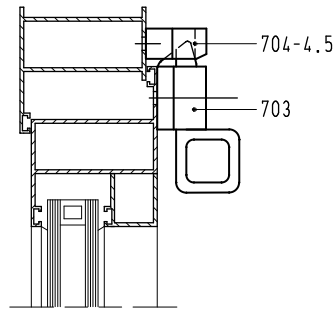
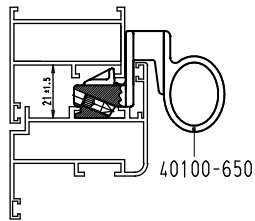
Order code	A = mm	B = mm
709-18	0	18
709-21	3	21
709-23	5	23
709-25	7	25
709-27	9	27
709-31	13	31
709-32.5	14.5	32.5
709-34	16	34
709-38	20	38

- The fixing holes for the wedges n° 705 and n° 707 must be drilled by the fabricator in accordance with the dimensions of the sections.
- Finish: aluminium anodised or polyester powder coated in a choice of more than 450 RAL colours.

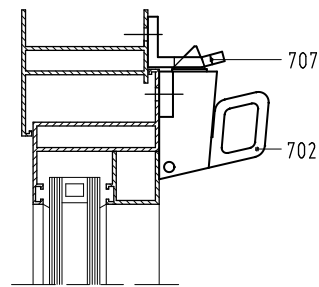
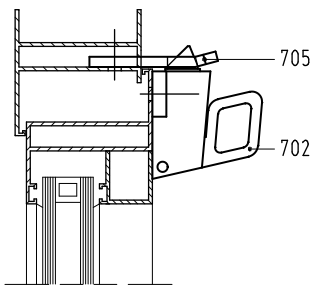
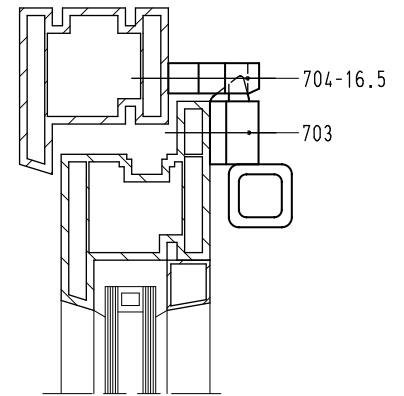


4. Application examples

On aluminium windows



On PVC windows



With control bar

