



BOTTOM HUNG OPEN IN WINDOWS



E11.16 CHRONO ACCESSORIES

01.03.2018



CHRONO ACCESSORIES

CONTENTS

1. Small windows	E11.16.03
1.1. With vertically fitted handle	E11.16.03
1.2. With horizontally fitted handle	E11.16.04
2. Jigs for Standard and Plus keeps	E11.16.05
3. Anti-lift pin n° 23300-771	E11.16.06
4. Adjustable keep n° 30140-801	E11.16.07
5. Drilling protection	E11.16.08
5.1. Drilling protection n° 35300-720-6 for lockcase	E11.16.08
5.2. Drilling protection n° 30300-659-6 for connection piece set	E11.16.08
6. Assembly table and cabinet	E11.16.09
6.1. Assembly table for set packaging n° 30000-960	E11.16.09
6.2. Assembly table for bulk packaging n° 30000-961	E11.16.09
6.3. Small cabinet n° 30000-970	E11.16.10
6.4. Large cabinet n° 30000-971	E11.16.10



1. Small windows

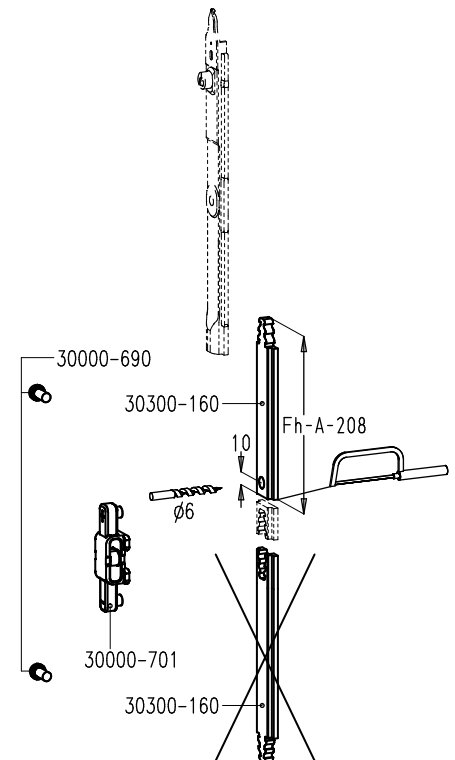
1.1. With vertically fitted handle

With connection piece

- Vent height $F_h = 480-600$ mm
- This set n° 30000-702 can be used for turn-tilt windows, tilt-turn windows, side hung windows as well as tilt windows.
- The set is only available for Chrono Standard and Chrono Plus.
- Set n° 30000-702 contains a connection piece n° 30000-701 for a standard handle.

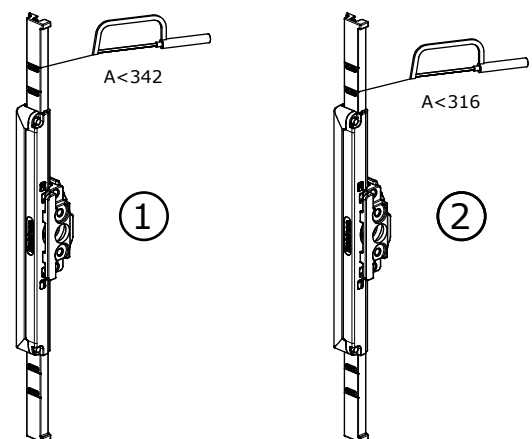
Set n° 30000-702		
2	30000-690	screw for handle
1	30000-701	connection piece
2	30300-160	rod

- The rod under the handle is not necessary.
- Procedure:
 - Determine rod lengths and cut off rods n° 30300-160.
 - Drill hole $\varnothing 6$ mm in the rod.



With lockcases

- Vent height $F_h = 605-685$ mm
- This is possible for lockcases n° 26000-720, 26000-721, 26300-720 and 26300-721, in combination with Chrono Standard, Chrono Plus and Chrono Safe.
- First cut:
 - Vent height $F_h = 632-685$ mm
 - First saw cut of lockcase ($A < 342$)
 - Cut off the rods in synthetic material n° 35000-100 at a length of 75 mm
- Second cut:
 - Vent height $F_h = 605-632$ mm
 - Second saw cut of lockcase ($A < 316$)
 - Cut off the rods in synthetic material n° 35000-100 at a length of 60 mm
- It is not necessary to shorten the bottom side of the lockcase.





CHRONO ACCESSORIES

1.2. With horizontally fitted handle

With connection piece

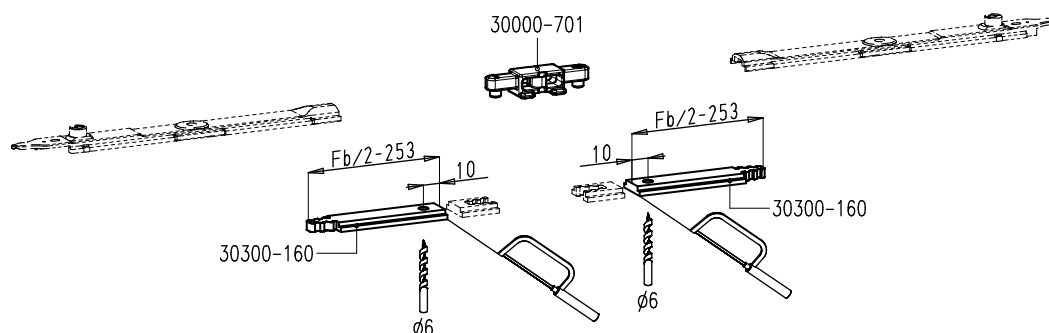
• Vent height $F_b = 480-600$ mm

- This set n° 30000-702 can be used for turn-tilt windows, tilt-turn windows, side hung windows as well as tilt windows.
- The set is only available for Chrono Standard and Chrono Plus.
- Set n° 30000-702 contains a connection piece n° 30000-701 for a standard handle.

Set nr. 30000-702		
1	30000-701	connection piece
2	30300-160	rod

• Procedure:

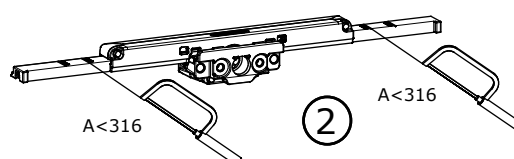
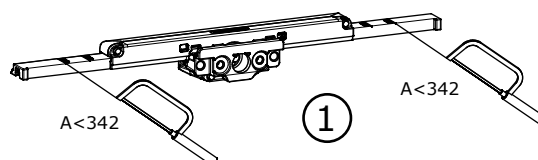
- Determine rod lengths and cut off rods n° 30300-160.
- Drill hole $\varnothing 6$ mm in the rod.



With lockcases

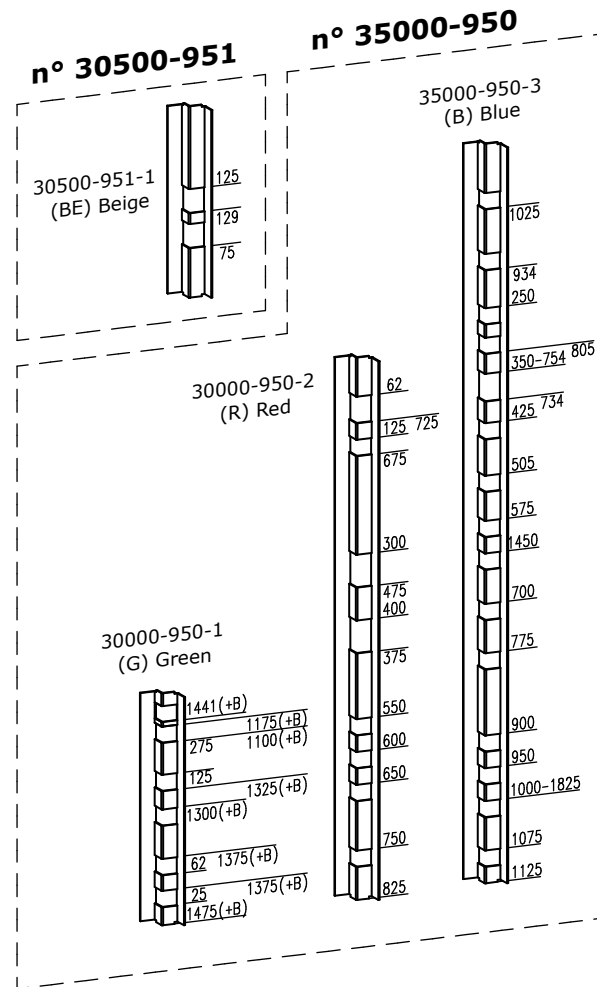
• Vent height $F_b = 605-685$ mm

- This is possible for lockcases n° 26000-720, 26000-721, 26300-720 and 26000-721, in combination with Chrono Standard, Chrono Plus and Chrono Safe.
- First cut:
 - Vent height $F_b = 632-685$ mm
 - First saw cut of lockcase (A<342)
 - Cut off the rods in synthetic material n° 35000-100 at a length of 75 mm
- Second cut:
 - Vent height $F_b = 605-632$ mm
 - Second saw cut of lockcase (A<316)
 - Cut off the rods in synthetic material n° 35000-100 at a length of 60 mm





2. Jigs for Standard and Plus keeps

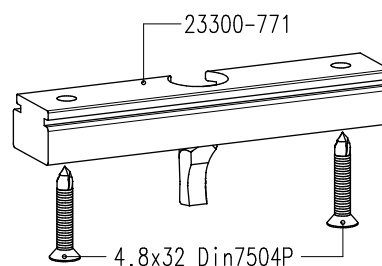




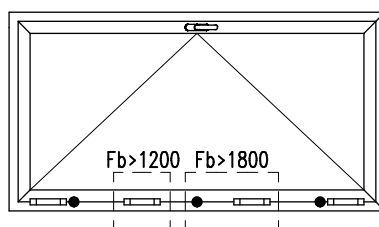
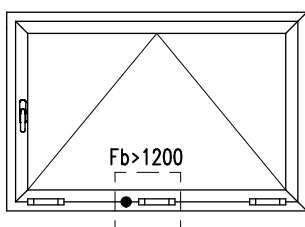
CHRONO ACCESSORIES

3. Anti-lift pin n° 23300-771

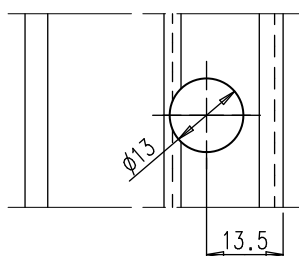
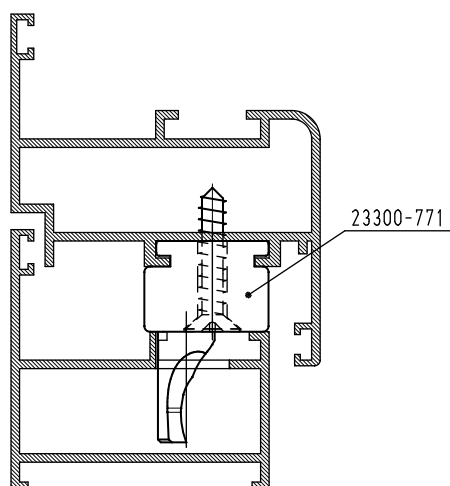
- The anti-lift pins n° 23300-771 are only used for the Chrono Safe system.
- The anti-lift pins are mounted on the vent at the hinge side.
- Finish:
 - Fixing piece in aluminium, black anodised.
 - Pin in stainless steel.



- Position anti-lift pin

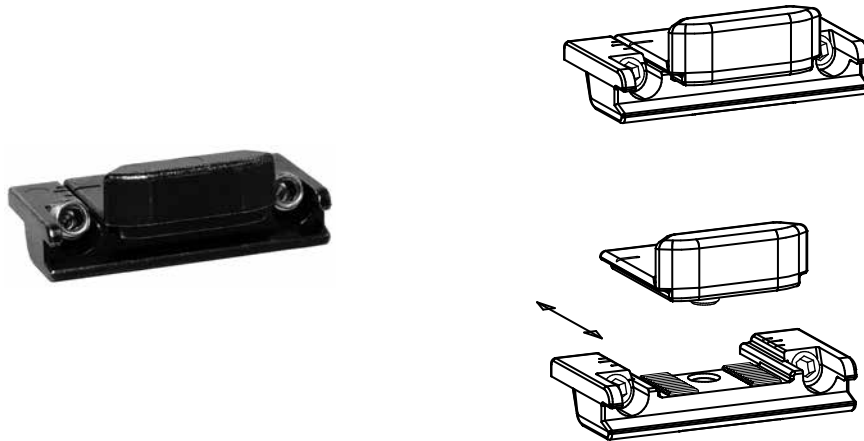


- Preparations

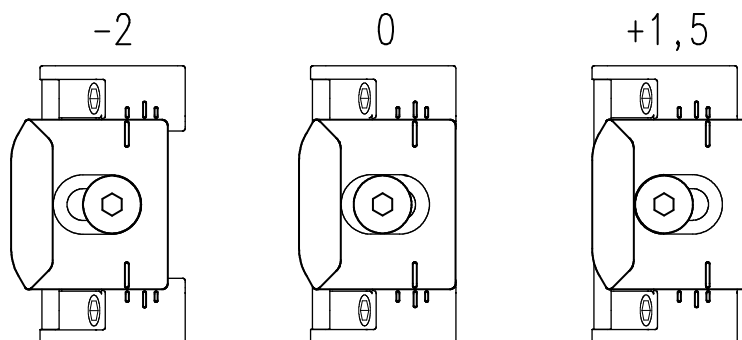




4. Adjustable keep n° 30140-801



- Keep n° 30140-801 is adjustable to increase or decrease the compression of the vent gasket. This can be important to ensure wind and water tightness of the window.
- The keep is black passivated and can be applied for a frame groove of 14/18 mm and 10/14 mm.
- The adjustment range of the keep is from -2 mm to +1.5 mm:
 - position -2: less compression
 - position 0: normal position
 - position +1.5: more compression
- There are 3 marks on the keep which indicate the 3 positions:



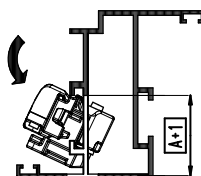
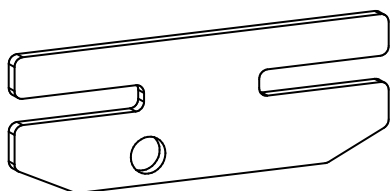


CHRONO ACCESSORIES

5. Drilling protection

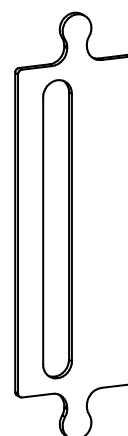
5.1. Drilling protection n° 35300-720-6 for lockcase

- The drilling protection is made of a hardened steel plate (60HRC).
- The drilling protection can be used in combination with lockcases n° 35000-720 and n° 35000-721.
- Installation: place the drilling protection on the pin at the back side of the lockcase.
- Profile preparation: mill 1 mm deeper than the groove tooth compared to the milling for the lockcases.



5.2. Drilling protection n° 30300-659-6 for connection piece set

- The drilling protection is a cover plate made of manganese steel.
- The drilling protection can be used in combination with the connection piece sets n° 35000-700 and 35300-701.





6. Assembly table and cabinet

6.1. Assembly table for set packaging n° 30000-960

Width = 1070 mm
Depth = 1230 mm
Height = 1050 mm



6.2. Assembly table for bulk packaging n° 30000-961

Width = 1070 mm
Depth = 1230 mm
Height = 1050 mm

Small boxes: 175 x 100 x 70 mm
Large boxes: 255 x 150 x 120 mm





CHRONO ACCESSORIES

6.3. Small cabinet n° 30000-970

Width = 1220 mm
Depth = 610 mm
Height = 1660 mm



6.4. Large cabinet n° 30000-971

Width = 1470 mm
Depth = 610 mm
Height = 1960 mm

