



---

## FRENCH CASEMENT WINDOWS

---



# D12.12 SALTO BOLTS

01.12.2018



---

SALTO BOLTS

---

**CONTENTS**

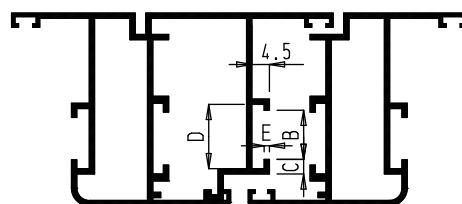
<b>1. Bolt n° 4408-3</b> .....	D12.12.03
1.1. General characteristics	D12.12.03
1.2. Bolt sets	D12.12.04
<b>2. Bolt n° 4408-2A</b> .....	D12.12.05
<b>3. Bolt n° 4404-4</b> .....	D12.12.06
<b>4. Hinges</b> .....	D12.12.07
<b>5. Ordering tables</b> .....	D12.12.08
<b>6. General information</b> .....	D12.12.09



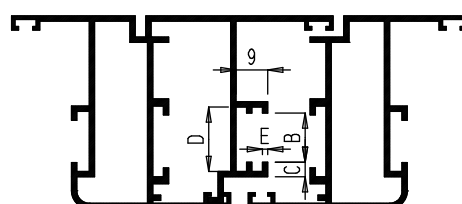
## 1. Bolt n° 4408-3

### 1.1. General characteristics

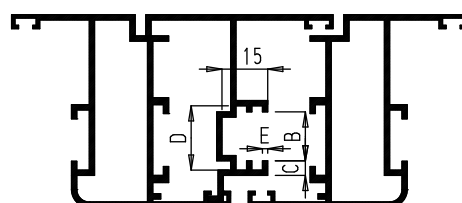
- The bolt n° 4408-3 is used in the second vent of a double side hung open in window without mullion, in combination with side hung open in windows or turn-tilt windows.
- The bolt can not be used in combination with tilt-turn windows.
- Available as left hand or as right hand bolt.
- The bolt is available in 3 types depending on the shape of the groove, making the length of the fixing screws variable (see drawing below):
  - 4408-3R-6 or 4408-3L-6
  - 4408-3R-12 or 4408-3L-12
  - 4408-3R-16 or 4408-3L-16
- The bolt incorporates the keeps for the locking of the main vent.
- All parts are made of non-corroding material.
- Size range:
  - vent width: max. 1200 mm
  - vent height: 850-2400 mm
  - vent weight: max. 90 kg



**4408-3R-6**  
or  
**4408-3L-6**



**4408-3R-12**  
or  
**4408-3L-12**



**4408-3R-16**  
or  
**4408-3L-16**

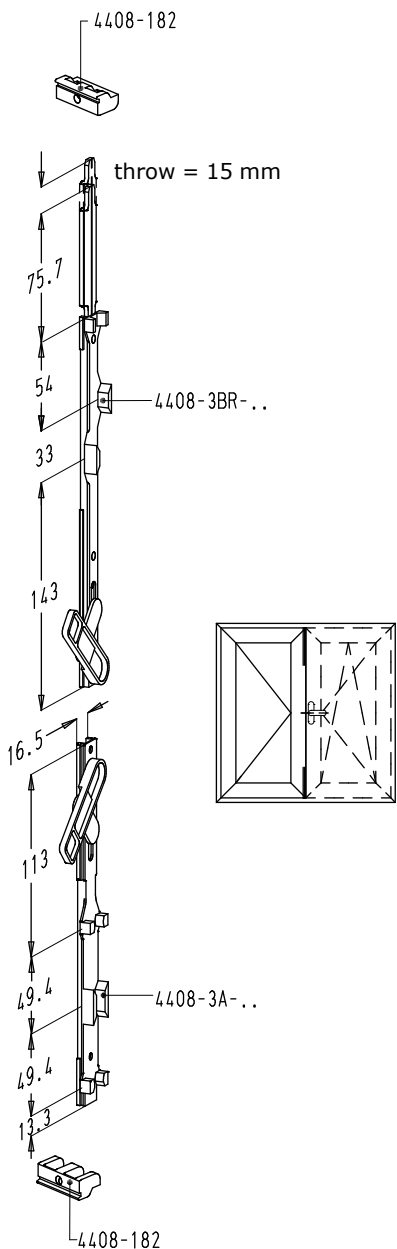
B (mm)	C (mm)	D (mm)	E (mm)
13.8	4.2	18	1.5
14.1	4.2	18.5	2.5



SALTO BOLTS

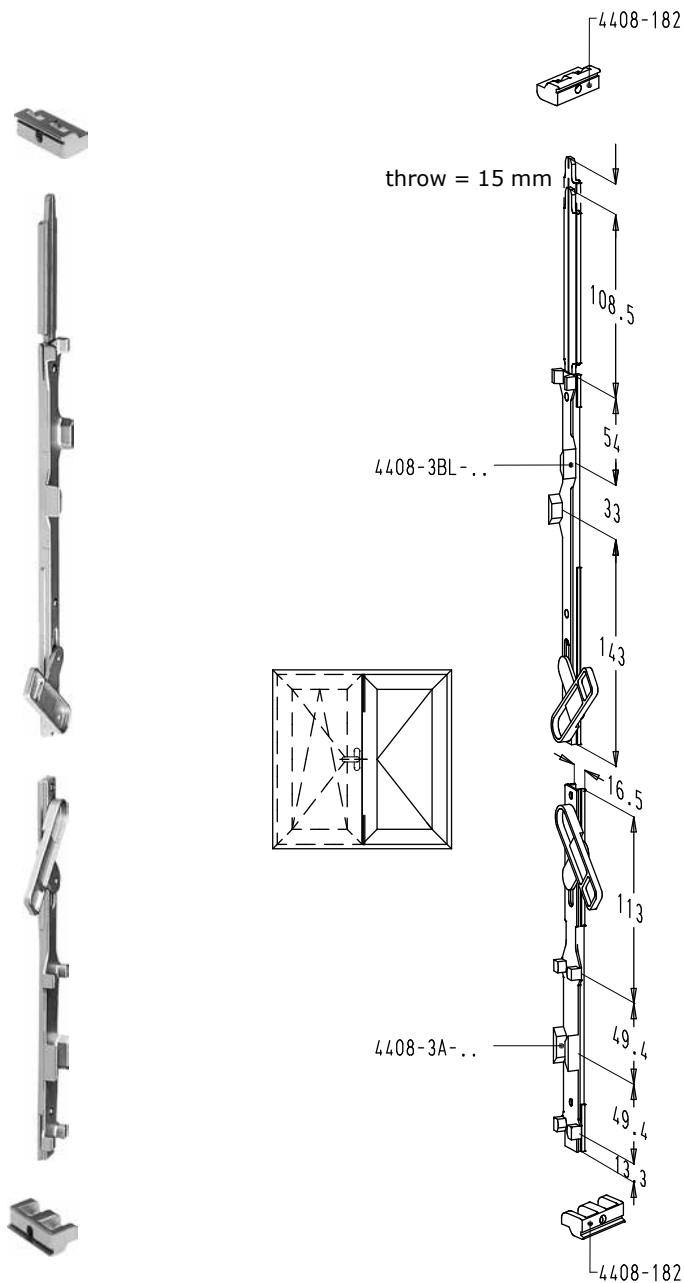
1.2. Bolt sets

Right hand bolt



4408-3R-..		
2	4408-182	keep
1	4408-3BR-..	top bolt
1	4408-3A-..	bottom bolt

Left hand bolt

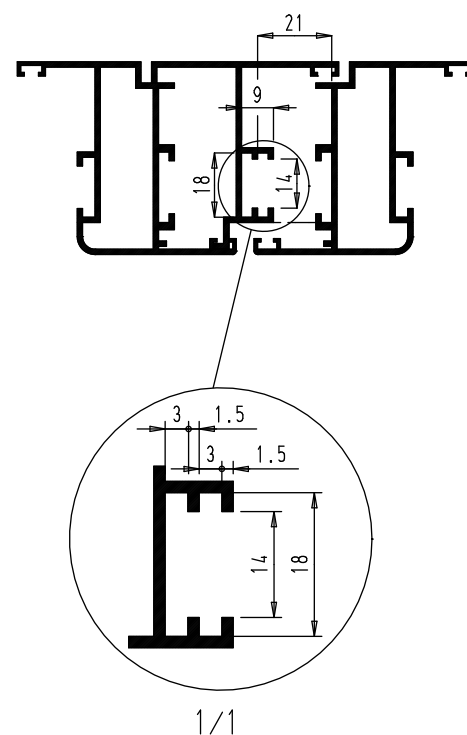
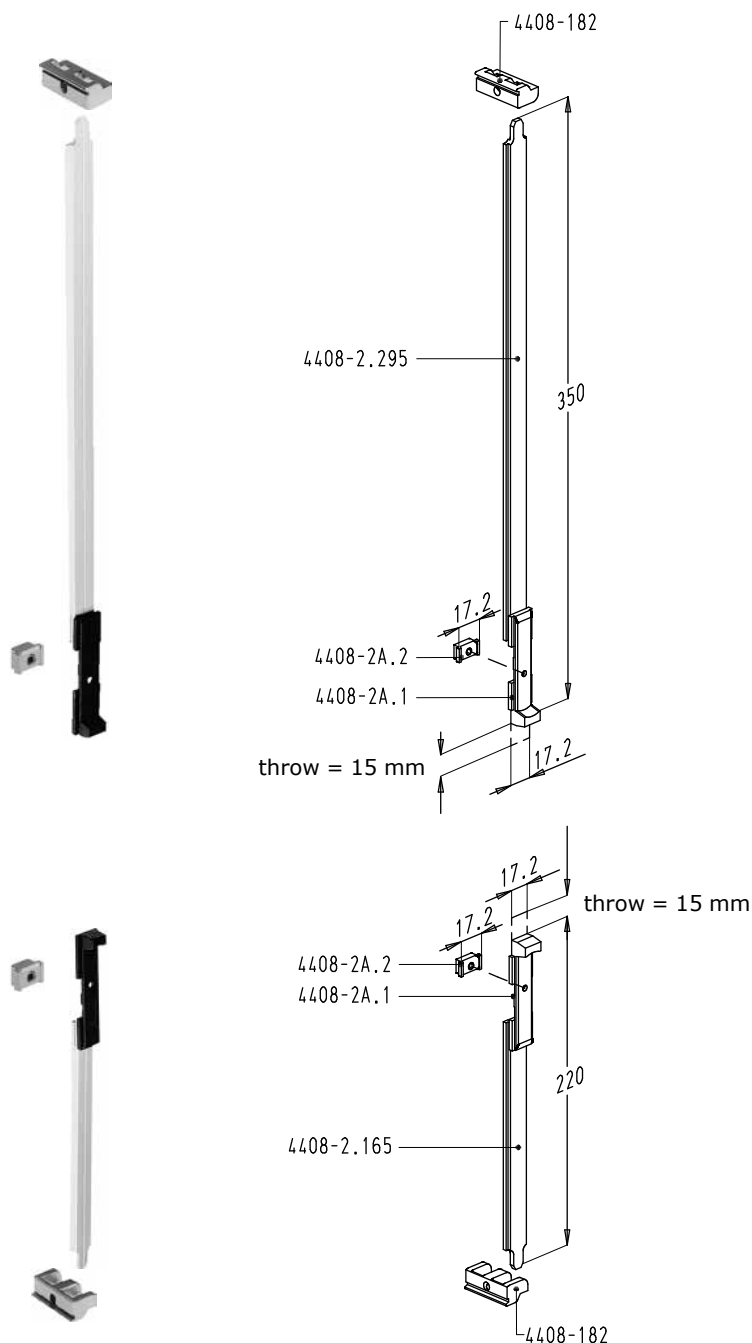
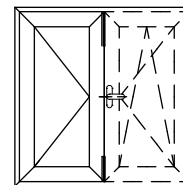


4408-3L-..		
2	4408-182	keep
1	4408-3BL-..	top bolt
1	4408-3A-..	bottom bolt



## 2. Bolt n° 4408-2A

- The bolt n° 4408-2A is used in the second vent of a double side hung open in window without mullion, in combination with side hung open in windows, turn-tilt windows or tilt-turn windows.
- Suitable for a 14-18 mm double groove.
- The plastic operating piece is mounted into the upper groove, while the aluminium bolt is mounted in the lower groove.
- The bolts are non-handed.
- All parts are made of non-corroding materials.
- Size range:
  - vent width: max. 1200 mm
  - vent height: 850-2400 mm
  - vent weight: max. 90 kg



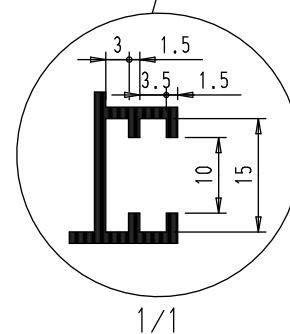
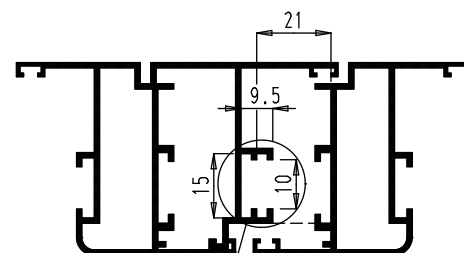
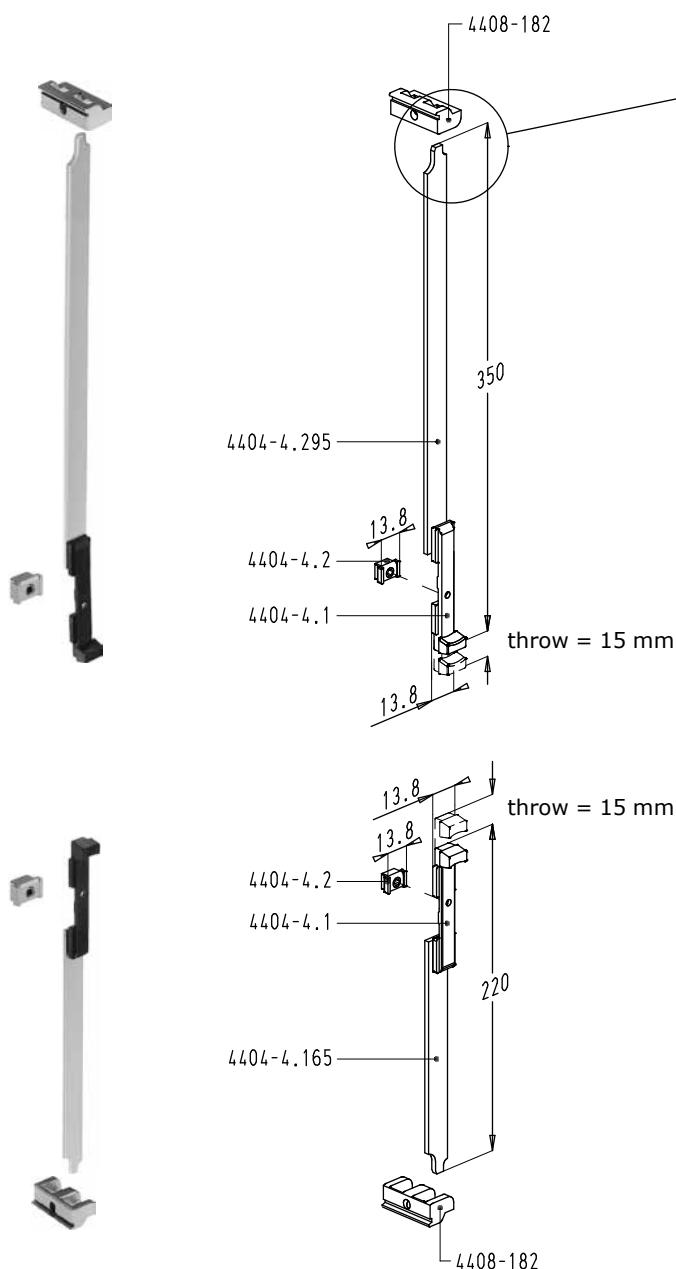
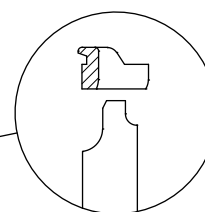
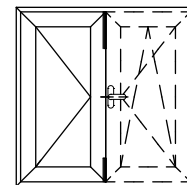
4408-2A		
2	4408-2A.1	operating knob
2	4408-2A.2	blocking piece
2	M5x6	screw
1	4408-2.165	bottom bolt
1	4408-2.295	top bolt
2	4408-182	keep



SALTO BOLTS

### 3. Bolt n° 4404-4

- The bolt n° 4404-4 is used in the second vent of a double side hung open in window without mullion, in combination with side hung open in windows, turn-tilt windows or tilt-turn windows.
- Suitable for a 10-15 mm double groove.
- The plastic operating knob is mounted into the upper groove, while the stainless steel bolt is mounted in the lower groove.
- The bolts are non-handed by turning the stainless steel bolts.
- All parts are made of non-corroding materials.
- Size range:
  - vent width: max. 1200 mm
  - vent height: 850-2400 mm
  - vent weight: max. 90 kg



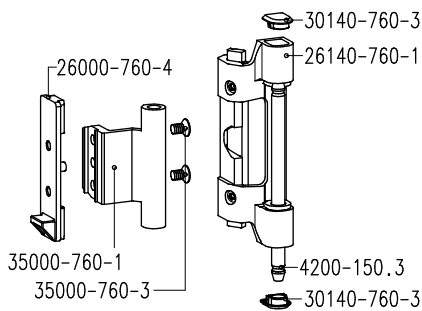
4404-4		
2	4404-4.1	operating knob
2	4404-4.2	blocking piece
2	M5x6	screw
1	4404-4.165	bottom bolt
1	4404-4.295	top bolt
2	4408-182	keep



## 4. Hinges

- The hinges are the same shape as the turn-tilt hinges. Both turn-tilt windows and side hung open in windows can be placed next to one another with the advantage of having the same appearance.
- Finish of all hinges: aluminium anodised or polyester powder coated (more than 450 RAL colours).

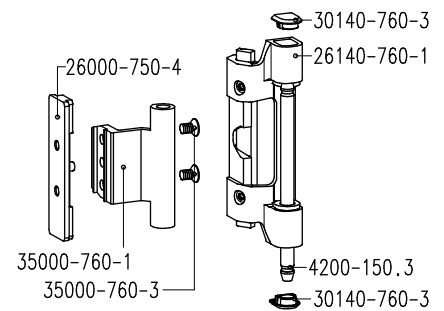
### Chrono bottom hinge n° 26140-760



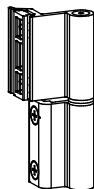
max. vent weight : 90 kg  
max. vent width : 1400 mm

Order code	26140-760	26140-750
Fh=max. 1200 mm	1 hinge +	1 hinge
Fh=1200-1800 mm		2 hinges
Fh=1800-2400 mm		3 hinges

### Chrono top hinge n° 26140-750



### Two part hinge n° 4208-220 and -221

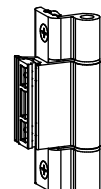


max. 75 kg  
max. 1000 mm

vent weight  
vent width

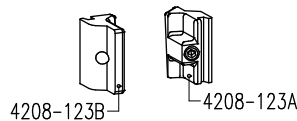
max. 80 kg  
max. 1200 mm

Order code	4208-220	4208-221	4208-320	4208-321
	<b>G</b>	<b>4.5</b>	<b>5</b>	<b>4.5</b>
Fh=max. 1200 mm	2 hinges			
Fh=1200-1800 mm	3 hinges			
Fh=1800-2400 mm	4 hinges			



### Three part hinge n° 4208-320 and -321

### Hinge wedge n° 4208-123



### Overview

G (mm)	T	U	V	W	X
4.5	4208-220	4208-320	26140-760	26140-750	4208-123
5	4208-221	4208-321			



## SALTO BOLTS

**5. Ordering table**

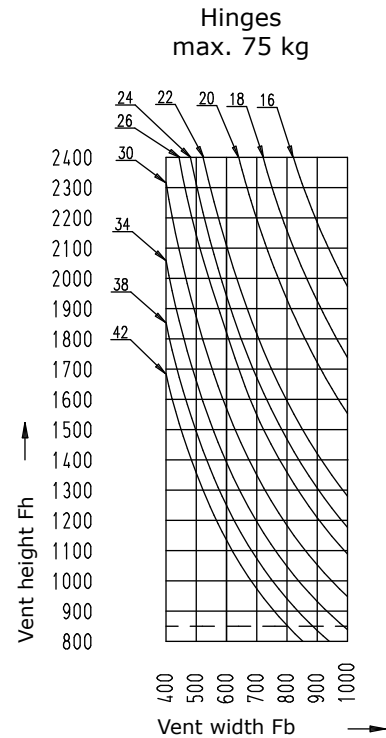
	Fb < 1200		
	<b>4408-3-..</b>	<b>4408-2</b>	<b>4404-4</b>
Fh = 850-1200	4408-3R-6 or 12 or 16 or 4408-3L-6 or 12 or 16 + 2x T or + 2x U or + 1x V + 1x W	4408-2	4404-4
Fh = 1200-1800	4408-3R-6 or 12 or 16 or 4408-3L-6 or 12 or 16 + 3x T or + 2x T + 1x X or + 3x U or + 2x U + 1x X or + 1x V + 2x W or + 1x V + 1x W + 1x X	4408-2	4404-4
Fh = 1800-2400	4408-3R-6 or 12 or 16 or 4408-3L-6 or 12 or 16 + 4x T or + 2x T + 2x X or + 4x U or + 2x U + 2x X or + 1x V + 3x W or + 1x V + 1x W + 2x X	4408-2	4404-4



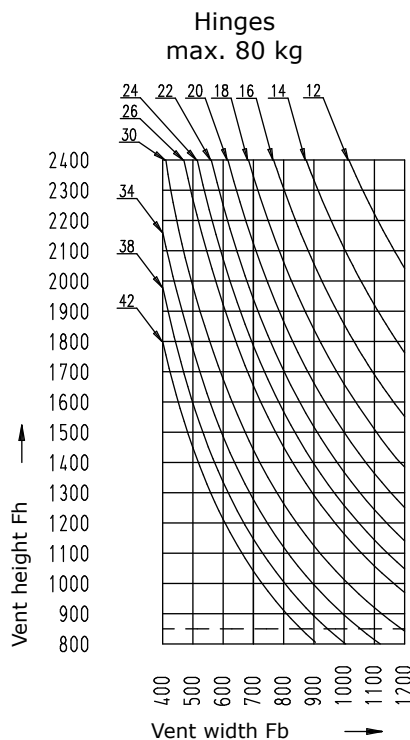


## 6. General information

- The systems for french casement windows are made of non-corroding materials. The set should not be installed in corrosive atmospheres.
- Sobinco cannot be held responsible for the malfunctioning of the systems if any non-Sobinco parts are used.
- Surface treatment of vent and frame must take place before assembly of the set, as this will affect the working of the gear.
- Glazing must be in accordance with national standards.
- The window and gear should be kept clean and lubricated in accordance with our maintenance instructions (copy available on request).



**Bolts n° 4408-3  
n° 4408-2A  
n° 4404-4**



Glass thickness without gap	
mm	kg/m <sup>2</sup>
10	25
12	30
14	35
16	40
18	45
20	50
22	55
24	60
26	65
28	70
30	75
32	80
34	85
36	90
38	95
40	100
42	105

