



SIDE HUNG WINDOWS



C14.11 VARIOUS HANDLES AND LOCKS

01.05.2017



VARIOUS HANDLES AND LOCKS

CONTENTS

1. Turn handles	C14.11.03
1.1. N° 642 and n° 642 CYL for side hung open in windows	C14.11.03
1.2. N° 643 and n° 643 CYL for side hung open out windows	C14.11.03
1.3. Forks	C14.11.04
2. Lift-up handles	C14.11.05
2.1. General	C14.11.05
2.2. Lift-up handle with 1 fork n° 611	C14.11.05
2.3. Lift-up handle with 2 forks n° 612	C14.11.05
2.4. Lift-up handle with 1 fork and cylinder n° 631	C14.11.06
2.5. Lift-up handle with 2 forks and cylinder n° 632	C14.11.06
2.6. Forks	C14.11.07
3. Roller handle n° 513	C14.11.08
4. Roller handle n° 517	C14.11.09
5. Application examples	C14.11.10



1. Turn handles

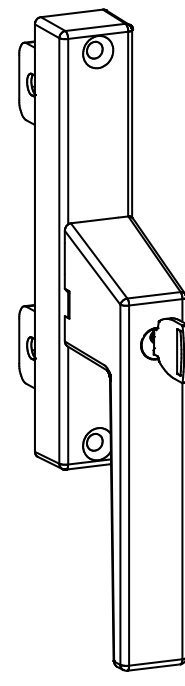
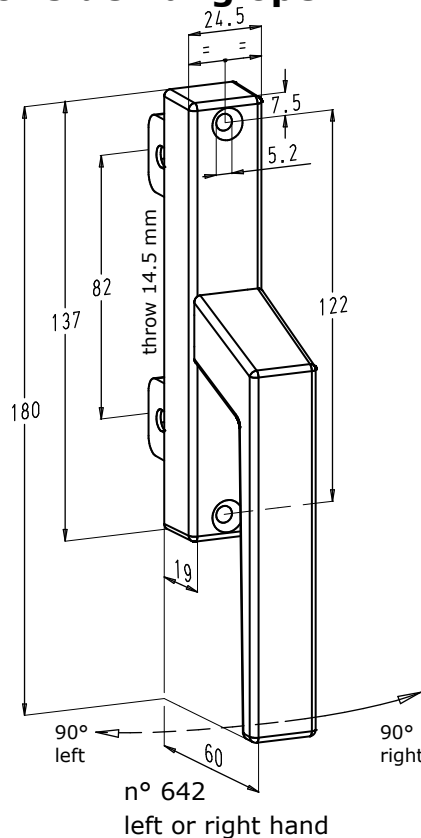
1.1. N° 642 and n° 642 CYL for side hung open in windows



- Finish: Grip and base in aluminium, polyester powder coated (more than 450 RAL colours).

right hand = illustrated
left hand = opposite view

- Properties and dimensions of the forks see page C14.11.04.
- When ordering please indicate quantity of left hand and right hand turn handles.



n° 642 CYL
left or right hand

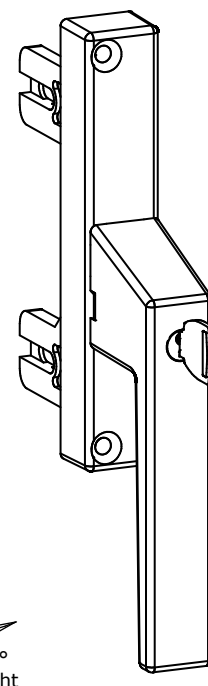
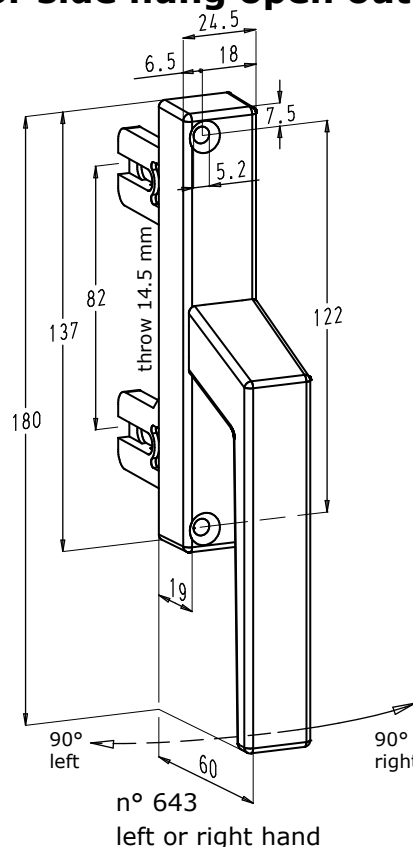
1.2. N° 643 and n° 643 CYL for side hung open out windows



- Finish: Grip and base in aluminium, polyester powder coated (more than 450 RAL colours).

right hand = illustrated
left hand = opposite view

- Properties and dimensions of the forks see page C14.11.04.
- When ordering please indicate quantity of left hand and right hand turn handles.



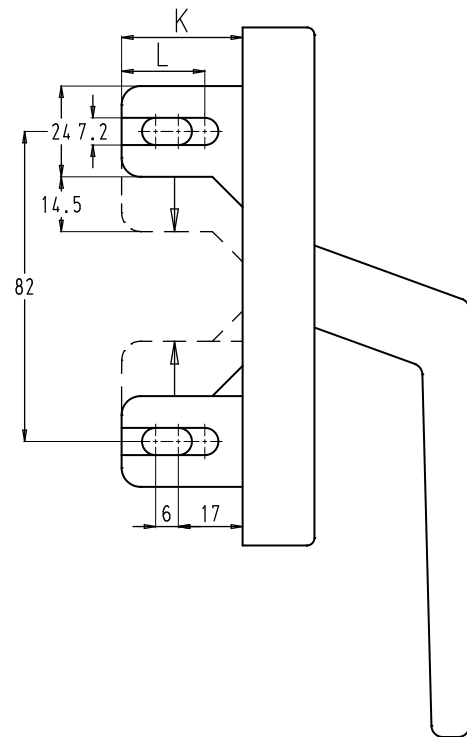
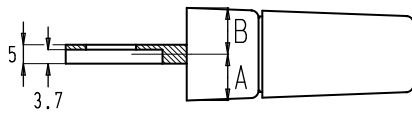
n° 643 CYL
left or right hand



VARIOUS HANDLES AND LOCKS

1.3. Forks

Order code	K	L	A	B
642 (CYL)	32	22	12.25	12.25
643 (CYL)	32	22	5.5	19



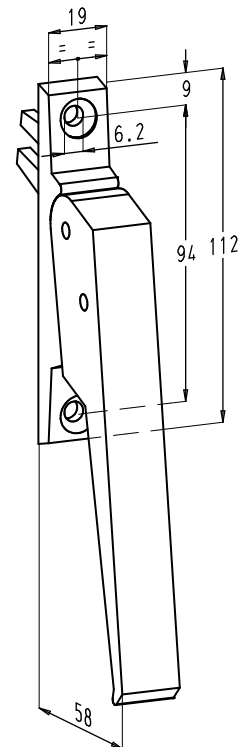


2. Lift-up handles

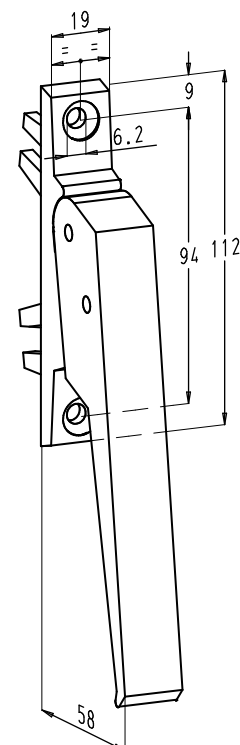
2.1. General

- Finish: Grip and base in aluminium, polyester powder coated (more than 450 RAL colours), axles in stainless steel, forks in steel zinc plated.

2.2. Lift-up handle with 1 fork n° 611



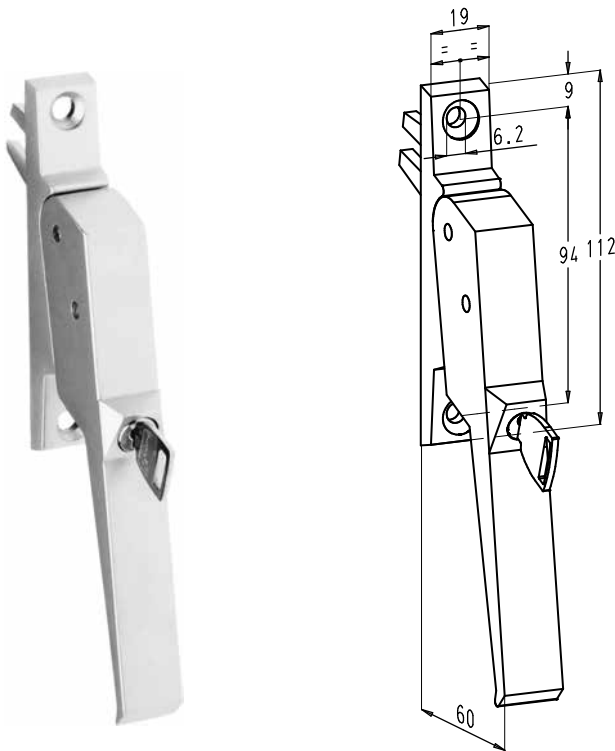
2.3. Lift-up handle with 2 forks n° 612



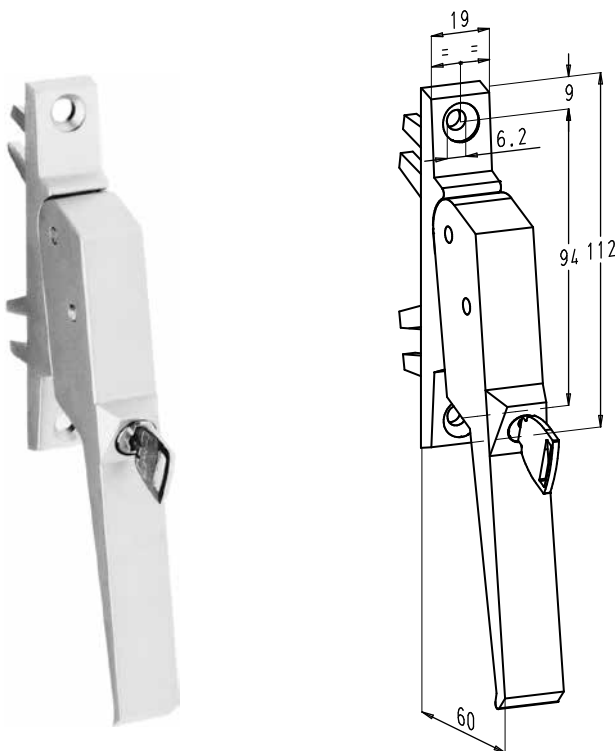


VARIOUS HANDLES AND LOCKS

2.4. Lift-up handle with 1 fork and cylinder n° 631



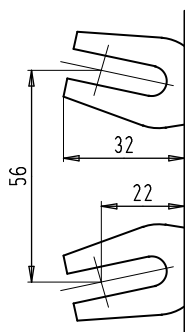
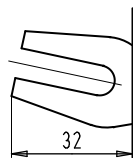
2.5. Lift-up handle with 2 forks and cylinder n° 632





2.6. Forks

- Finish: steel zinc plated

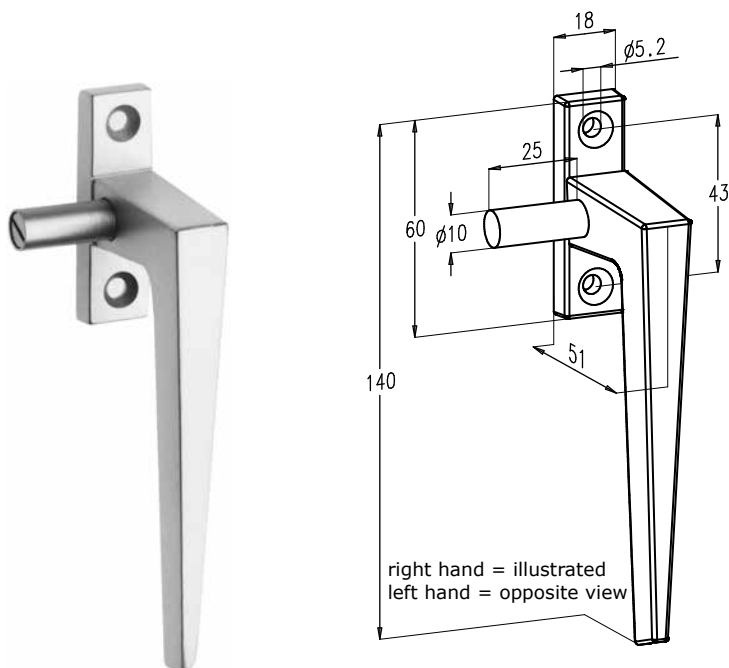




VARIOUS HANDLES AND LOCKS

3. Roller handle n° 513

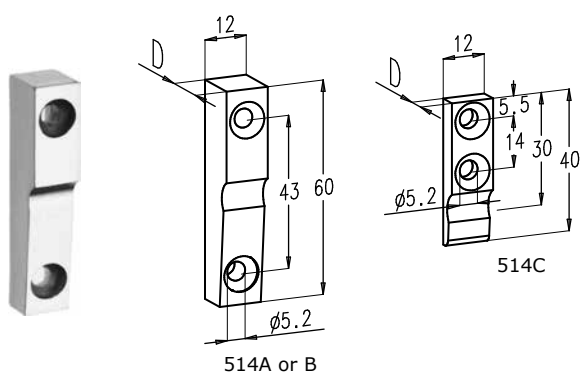
- The roller handles can be used for side hung open in and open out windows and small pivoting windows. For bigger pivoting windows we recommend to use a perimeter locking set with 4 locking points.
- With incorporated stop at 90°.
- Finish:
 - Aluminium anodised or polyester powder coated (more than 450 RAL colours).
 - Roller in grey or black nylon.
- When ordering please indicate quantity of left hand and right hand roller handles



n° 513
left or right hand

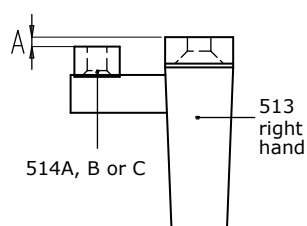
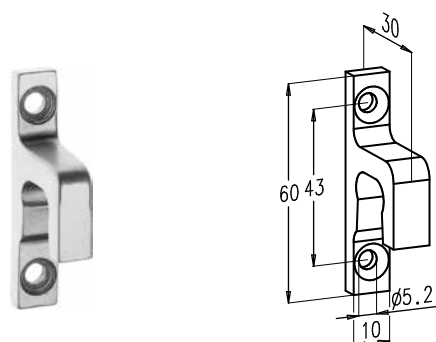
Wedge n° 514A, B, C

- To be used on side hung open out windows.
- Grey or black nylon.

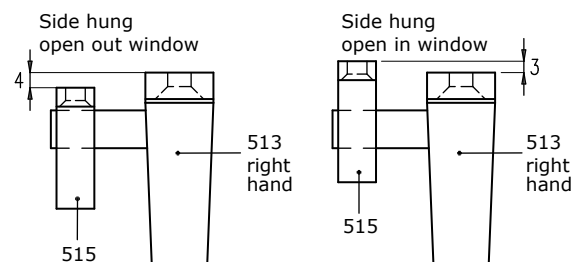


Wedge n° 515

- To be used on side hung open in windows.
- Same finish as window handle n° 513.
- Can also be used for side hung open out windows with a bi-level of 4 mm.



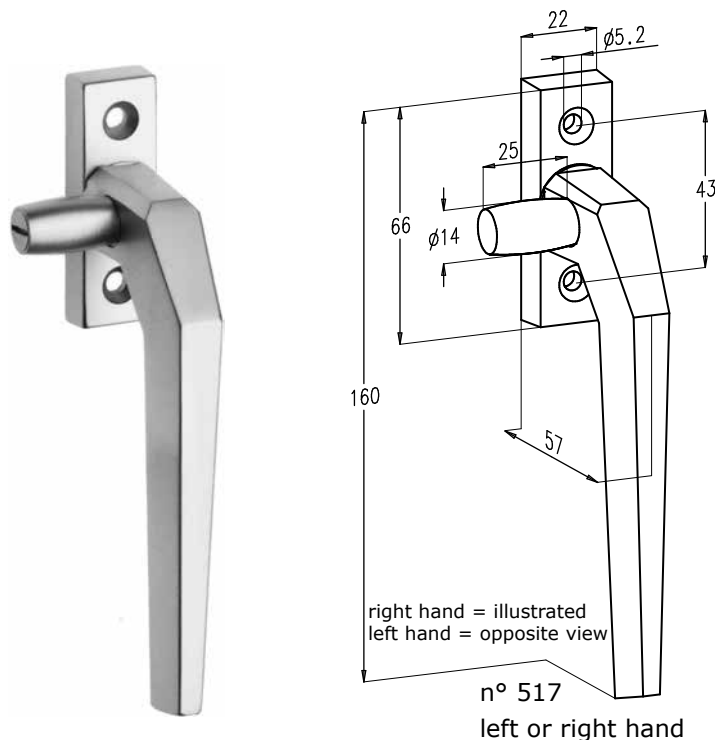
Order code	A	D
514A	3	10
514B	0	13.5
514C	8	5.5





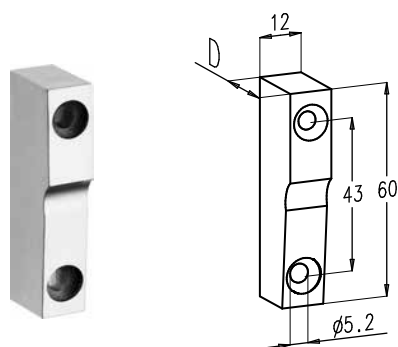
4. Roller handle n° 517

- The roller handles can be used for side hung open in and open out windows and small pivoting windows. For bigger pivoting windows we recommend to use a perimeter locking set with 4 locking points.
- More solid and heavier type than n° 513.
- With incorporated stop at 90°.
- Finish:
 - Aluminium anodised or polyester powder coated (more than 450 RAL colours).
 - Roller in brass nickel plated.
- When ordering please indicate quantity of left hand and right hand roller handles.

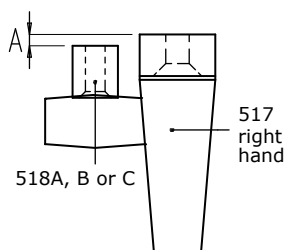


Wedge n° 518A, B, C

- To be used on side hung open out windows.
- Grey or black nylon.

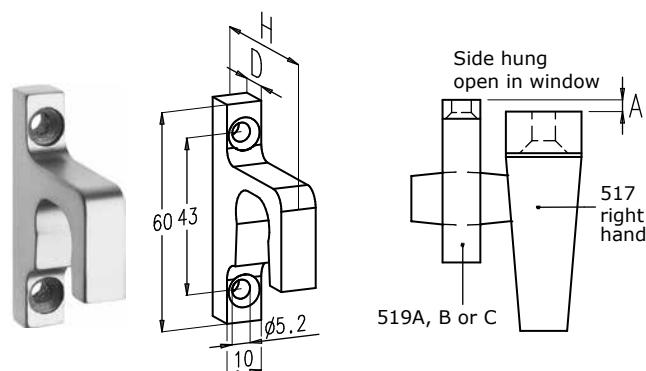


Order code	D	A
518A	15.5	3.5
518B	19	0
518C	20.5	-1.5

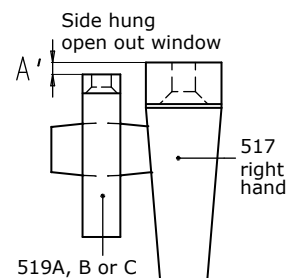


Wedge n° 519A, B, C

- To be used on side hung open in and open out windows.
- Same finish as roller handle n° 517.



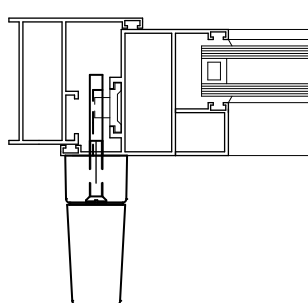
Order code	D	H	A	A'
519A	7	41	3	3
519B	9	43	5	1
519C	11	45	7	-1



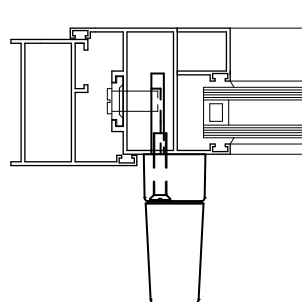


VARIOUS HANDLES AND LOCKS

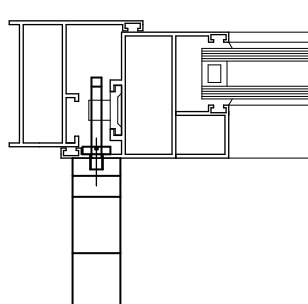
5. Application examples



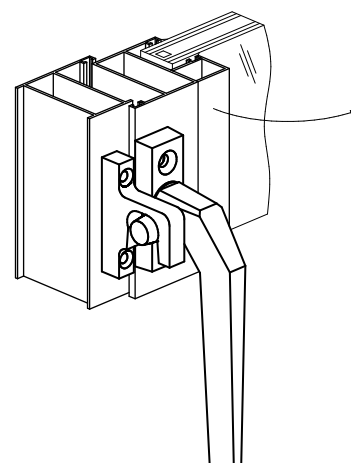
n° 642 right hand



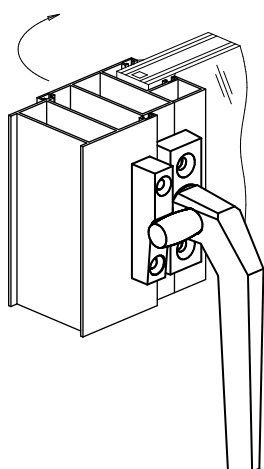
n° 643 right hand



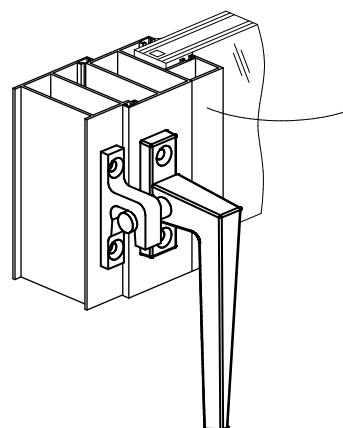
n° 611 VI
or n° 612 VI



Roller handle n° 517 right hand
with hook wedge n° 519 for
side hung open in window.



Roller handle n° 517 right hand
with wedge n° 518 for
side hung open out window.



Roller handle n° 513 right hand
with hook wedge n° 515 for
side hung open in window.